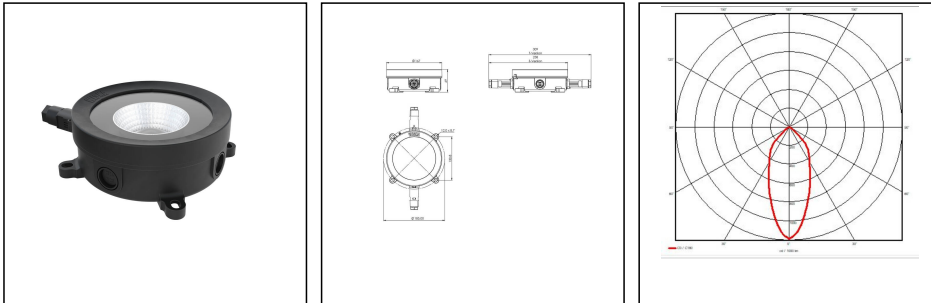


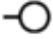
## 2010-1x15-MV-MB-S-L01

LED multi-purpose luminaire 2010 IP68 plastic 15W 100-230VAC



Products may differ in size, colour and appearance to those shown. If you require further information or customisation, please contact us directly.



<b>WISKA-Order no.</b>	10111193
<b>Type</b>	2010-1x15-MV-MB-S-L01
<b>Material</b>	PBT
<b>Globe colour</b>	Clear
<b>Wattage</b>	15 W
<b>Voltage</b>	230 V
<b>Protection class</b>	IP66 / IP68 (0,2 bar 30min)
<b>Operational areas</b>	Outdoor, Indoor
<b>Temp. range min</b>	-25 °C
<b>Temp. range max</b>	50 °C
<b>Lightsource</b>	LED
<b>Lightsource incl.</b>	Yes
<b>Colour temperature</b>	4000 K
<b>Luminous flux</b>	1600 lm
<b>Colour rendering index</b>	RA>80
<b>Ø cable diameter min</b>	6 mm
<b>Ø cable diameter max</b>	13 mm
<b>Rated Lifetime</b>	L90/B10 @Ta +45 °C
<b>System Lifetime</b>	50000 h
<b>Mounting</b>	Wall, Ceiling, Upside down, Upside, Surface mounting
<b>Using for cable gland</b>	
<b>Colour</b>	Black
<b>External dimensions LxWxH</b>	238x168x69mm
<b>Approval</b>	DNV
<b>Weight</b>	0,85 kg

Your Contact:

WISKA Hoppmann GmbH

Kisdorfer Weg 28 · 24568 Kaltenkirchen · Germany

☎ +49-4191-508-0 · 📠 +49-4191-508-209

contact@wiska.de · www.wiska.com

**Remarks:**

**Bulb: LED included, fixed**

**Color temperature: 4000K**

**Beam angle: medium beam 50°**

**Push-in connector 3-pole for cable Ø 6-13mm**

23.05.2026

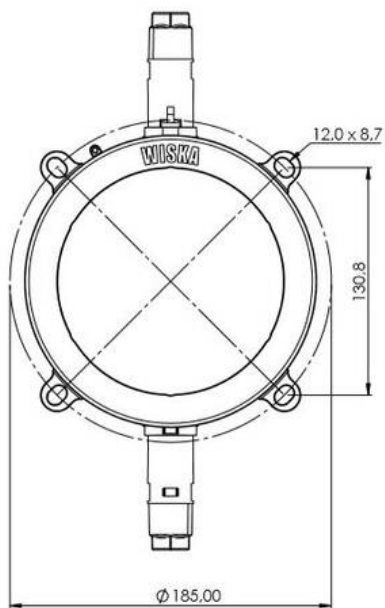
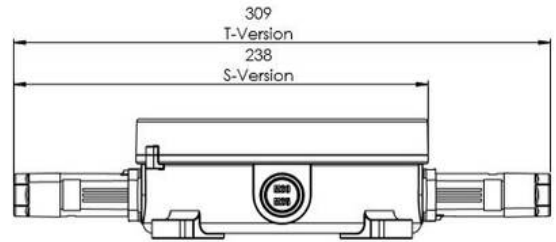
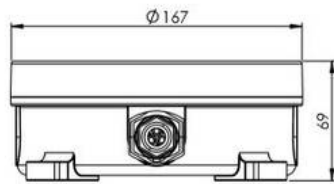
Your Contact:

**WISKA Hoppmann GmbH**

Kisdorfer Weg 28 · 24568 Kaltenkirchen · Germany

 +49-4191-508-0 ·  +49-4191-508-209

contact@wiska.de · www.wiska.com



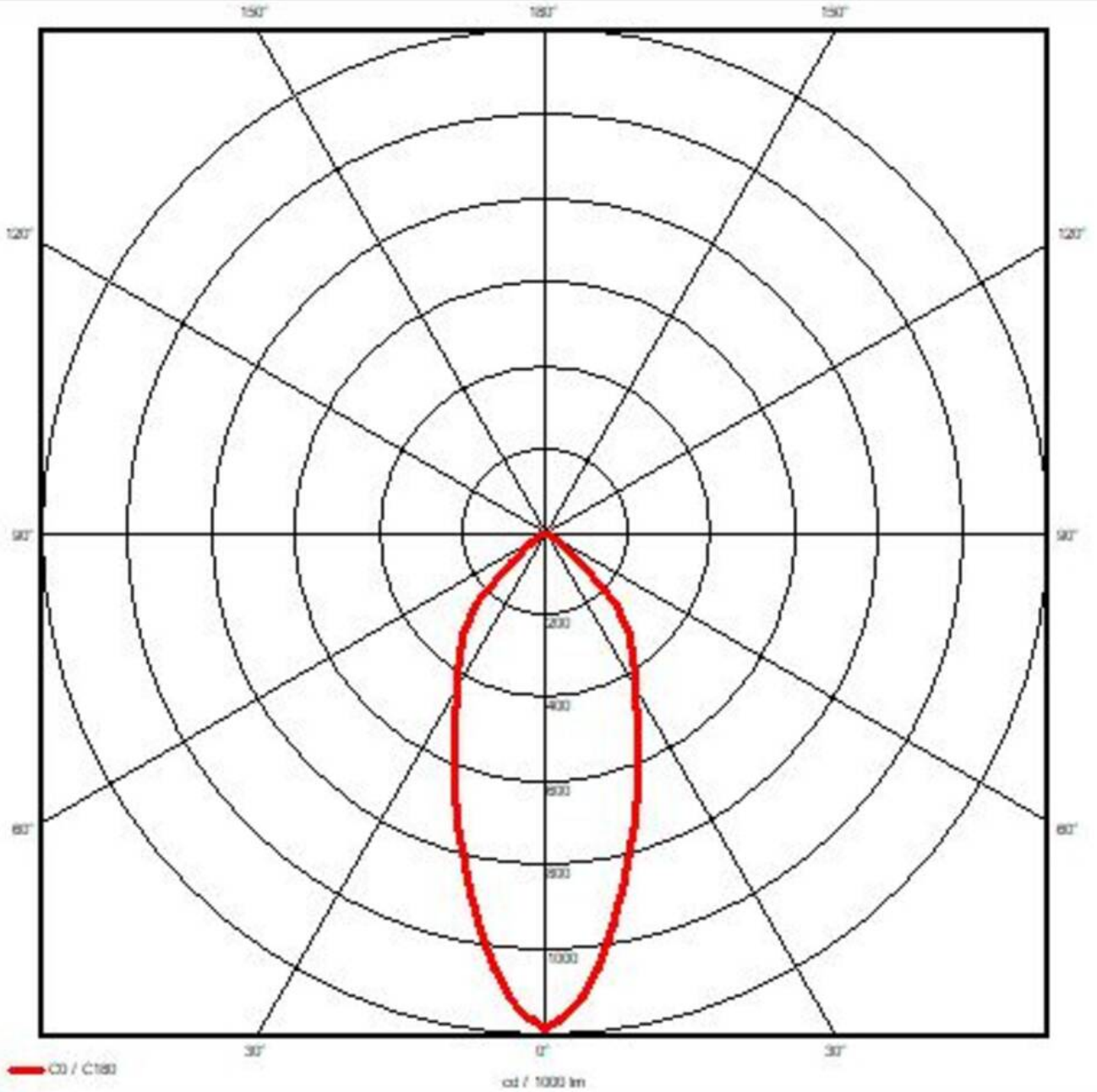
Your Contact:

**WISKA Hoppmann GmbH**

Kisdorfer Weg 28 · 24568 Kaltenkirchen · Germany

☎ +49-4191-508-0 · 📠 +49-4191-508-209

contact@wiska.de · www.wiska.com



Your Contact:

**WISKA Hoppmann GmbH**

Kisdorfer Weg 28 · 24568 Kaltenkirchen · Germany

☎ +49-4191-508-0 · 📠 +49-4191-508-209

contact@wiska.de · www.wiska.com