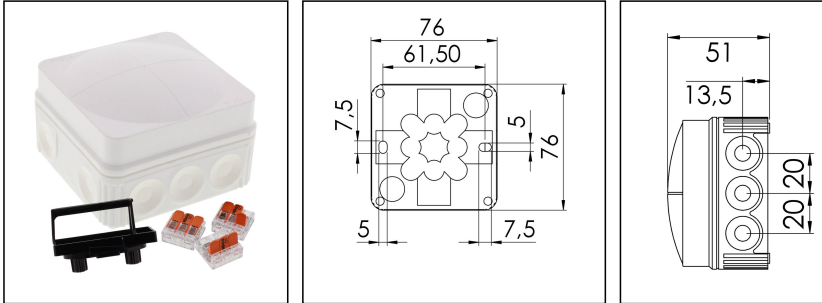


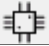
COMBI 108 WH / 3-221-413

Junction box 76x76x51mm, polypropylene, RAL 9001, inclusive terminal block WAGO



Products may differ in size, colour and appearance to those shown. If you require further information or customisation, please contact us directly.



| | |
|-------------------------------------|---|
| Material | Polypropylene |
| Material sealing gasket | TPE |
| Temp. range min | -30 °C |
| Temp. range max | 100 °C |
| Temperatures during install. | -5 °C - 60 °C |
| Protection class | IP66 |
| Glow wire test | 750 °C |
| Voltage | 400 V |
| Rated cross section | 2,5 mm ² |
| Fixing | 2 internal openings |
| Ø cable diameter min | 3 mm |
| Ø cable diameter max | 14 mm |
| External dimensions LxWxH | 76 x 76 x 51mm |
| Using for cable gland |  |
| Product Color | RAL 9001 |
| WISKA-Order no. | 10111274 |
| Type | COMBI 108 WH / 3-221-413 |
| Packing unit | 10 |
| ETIM-Classification | EC002600 |
| EAN number | 4007686277326 |
| Tariff number | 85369010 |

Remarks:

Equipment:

- 10 elastic self-sealing puncture-membranes for cable entry on the side and 2 in the bottom

Your Contact:

WISKA Hoppmann GmbH

Kisdorfer Weg 28 · 24568 Kaltenkirchen · Germany

☎ +49-4191-508-0 · 📠 +49-4191-508-209

contact@wiska.de · www.wiska.com

- including terminal carrier on quick mounting plate mounted +
3x WAGO 221-413 enclosed loose

Fixing:

By two internal openings outside of the sealing area

23.05.2026

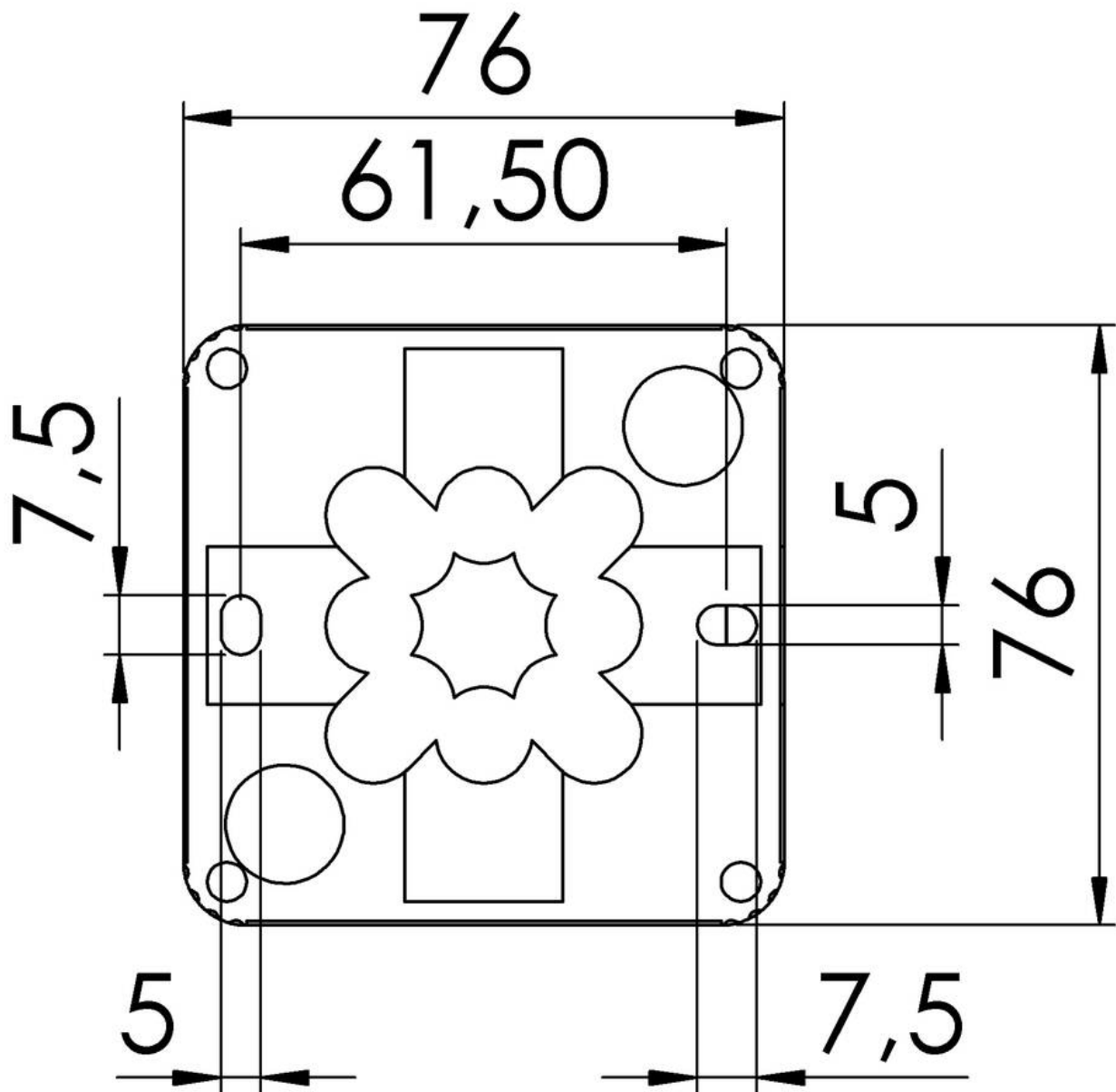
Your Contact:

WISKA Hoppmann GmbH

Kisdorfer Weg 28 · 24568 Kaltenkirchen · Germany

☎ +49-4191-508-0 · 📠 +49-4191-508-209

contact@wiska.de · www.wiska.com



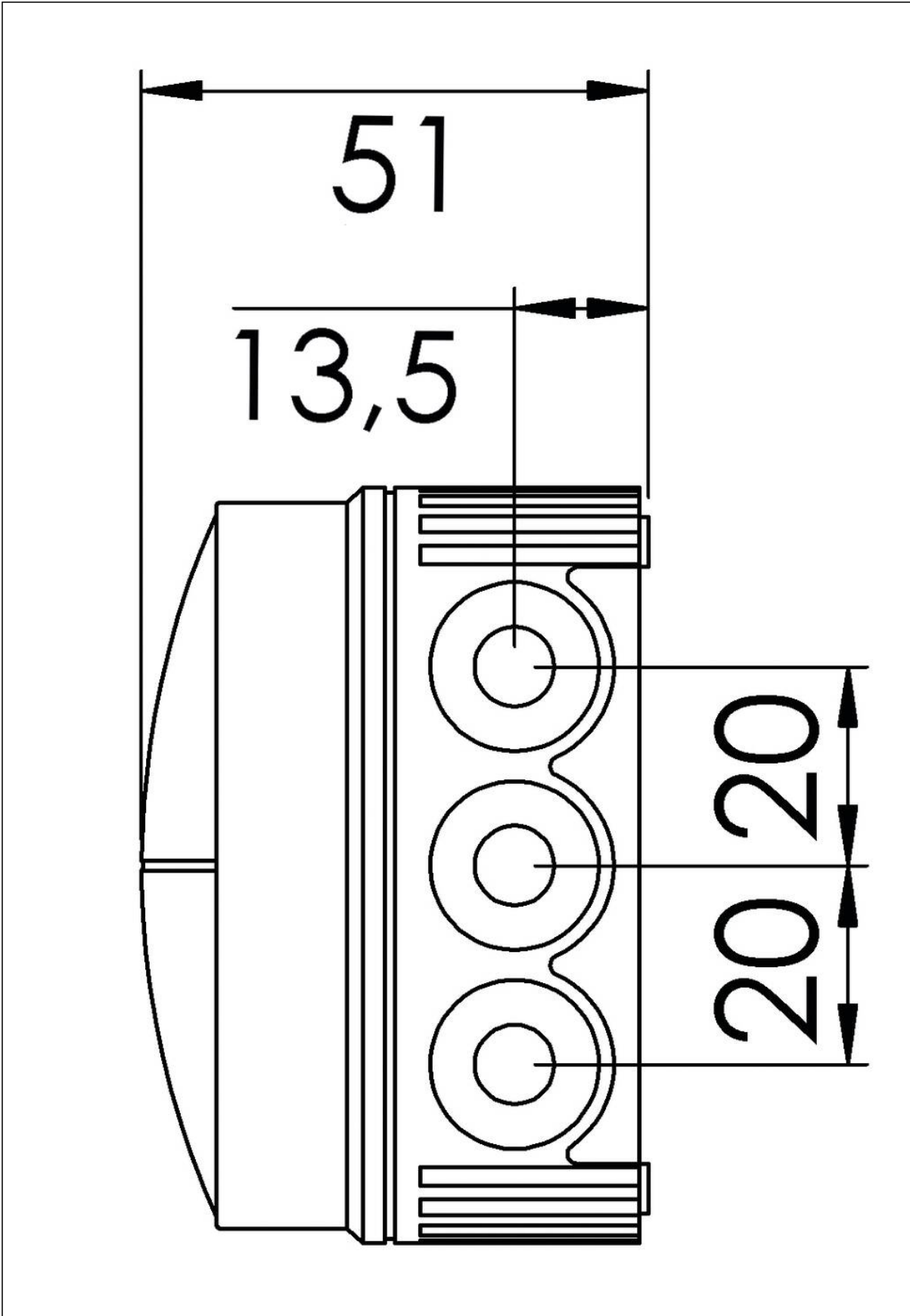
Your Contact:

WISKA Hoppmann GmbH

Kisdorfer Weg 28 · 24568 Kaltenkirchen · Germany

☎ +49-4191-508-0 · 📠 +49-4191-508-209

contact@wiska.de · www.wiska.com



Your Contact:
WISKA Hoppmann GmbH
Kisdorfer Weg 28 · 24568 Kaltenkirchen · Germany
☎ +49-4191-508-0 · 📠 +49-4191-508-209
contact@wiska.de · www.wiska.com