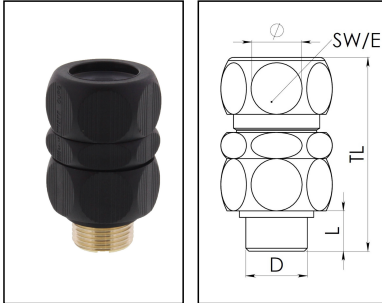


## CUPG-GS04-M20

### ShieldGLAND M20



Products may differ in size, colour and appearance to those shown. If you require further information or customisation, please contact us directly.

<b>Material cable gland</b>	Brass, Polyamide
<b>Material sealing gasket</b>	TPE, EPDM
<b>Material clamping cage</b>	Polyamide
<b>Temp. range min</b>	-40 °C
<b>Temp. range max</b>	100 °C
<b>Protection class</b>	IP68 (1,0 bar 30 min)
<b>Thread type</b>	M
<b>Ø Connection thread D</b>	20
<b>Lead</b>	1,5
<b>Length screw-in thread L</b>	13 mm
<b>Ø cable diameter min</b>	12 mm
<b>Ø cable diameter max</b>	21 mm
<b>Ø cable below cable shield max</b>	12 mm - 17 mm
<b>Key width SW</b>	32 mm
<b>Collar diameter (E)</b>	36 mm
<b>Total length TL</b>	57 mm - 61 mm
<b>Install. torques cap nut</b>	8 N m
<b>Install. torques fitting</b>	8 N m
<b>Advice</b>	LSF, LSOH
<b>WISKA-Order no.</b>	10112106
<b>Type</b>	CUPG-GS04-M20
<b>Packing unit</b>	10
<b>Tariff number</b>	74198090
<b>EAN number</b>	4007686292053
<b>ETIM-Classification</b>	EC000441

Your Contact:

WISKA Hoppmann GmbH

Kisdorfer Weg 28 · 24568 Kaltenkirchen · Germany

☎ +49-4191-508-0 · 📠 +49-4191-508-209

contact@wiska.de · www.wiska.com

**Remarks:**

**LSF = Low smoke and fume**

**LSOH = Low smoke zero halogen**

12.05.2026

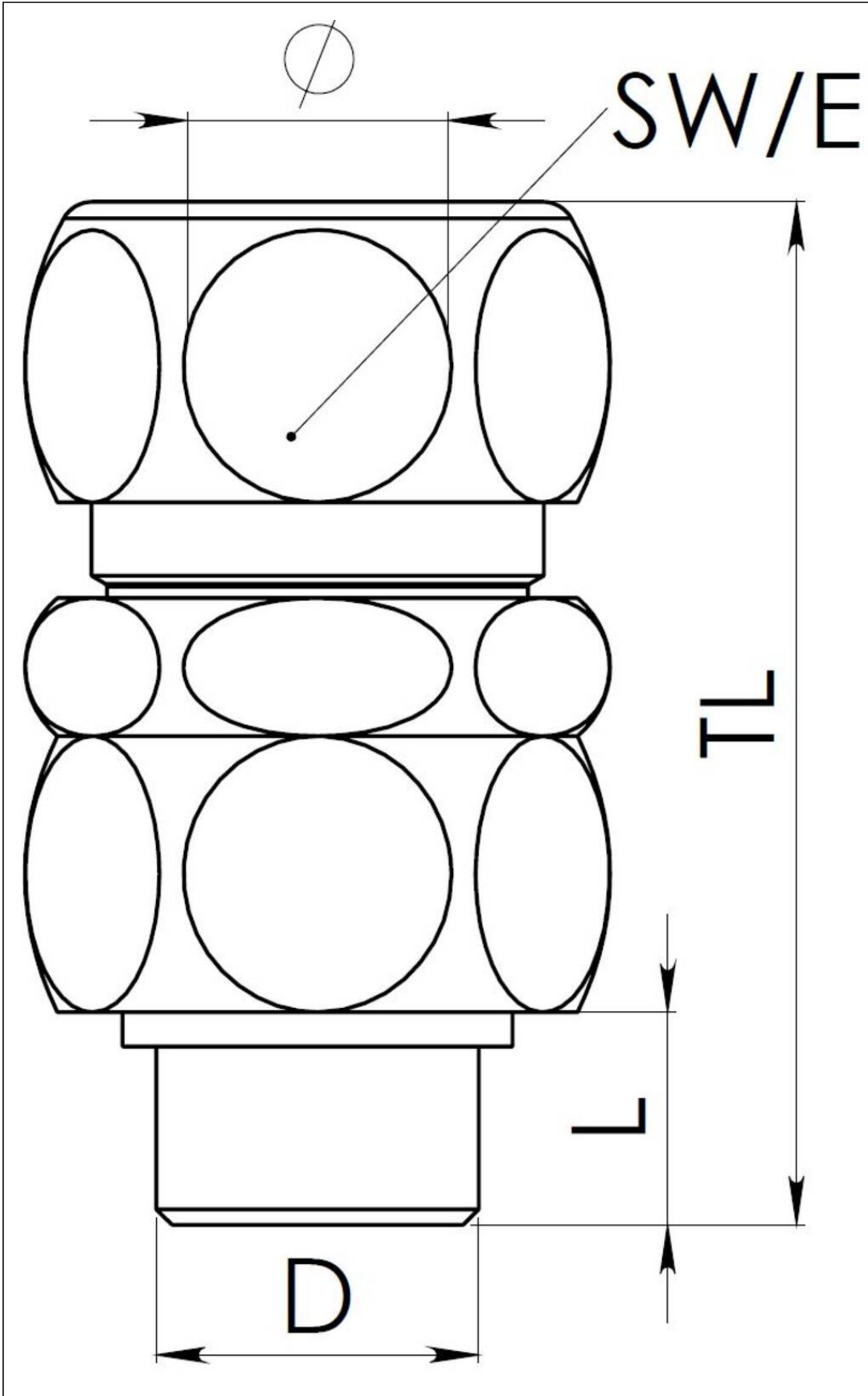
Your Contact:

**WISKA Hoppmann GmbH**

Kisdorfer Weg 28 · 24568 Kaltenkirchen · Germany

☎ +49-4191-508-0 · 📠 +49-4191-508-209

contact@wiska.de · www.wiska.com



Your Contact:  
**WISKA Hoppmann GmbH**  
Kisdorfer Weg 28 · 24568 Kaltenkirchen · Germany  
☎ +49-4191-508-0 · 📠 +49-4191-508-209  
contact@wiska.de · www.wiska.com