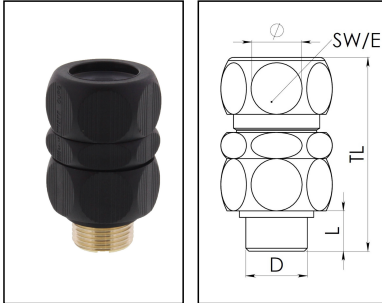


CUPG-GS05-M25

ShieldGLAND M25



Products may differ in size, colour and appearance to those shown. If you require further information or customisation, please contact us directly.

Material cable gland	Brass, Polyamide
Material sealing gasket	TPE, EPDM
Material clamping cage	Polyamide
Temp. range min	-40 °C
Temp. range max	100 °C
Protection class	IP68 (1,0 bar 30 min)
Thread type	M
Ø Connection thread D	25
Lead	1,5
Length screw-in thread L	13 mm
Ø cable diameter min	17 mm
Ø cable diameter max	28 mm
Ø cable below cable shield max	17 mm - 21 mm
Key width SW	41 mm
Collar diameter (E)	46 mm
Total length TL	61 mm - 65 mm
Install. torques cap nut	8 N m
Install. torques fitting	8 N m
Advice	LSF, LSOH
WISKA-Order no.	10112107
Type	CUPG-GS05-M25
Packing unit	10
Tariff number	74198090
EAN number	4007686292077
ETIM-Classification	EC000441

Your Contact:

WISKA Hoppmann GmbH

Kisdorfer Weg 28 · 24568 Kaltenkirchen · Germany

☎ +49-4191-508-0 · 📠 +49-4191-508-209

contact@wiska.de · www.wiska.com

Remarks:

LSF = Low smoke and fume

LSOH = Low smoke zero halogen

12.05.2026

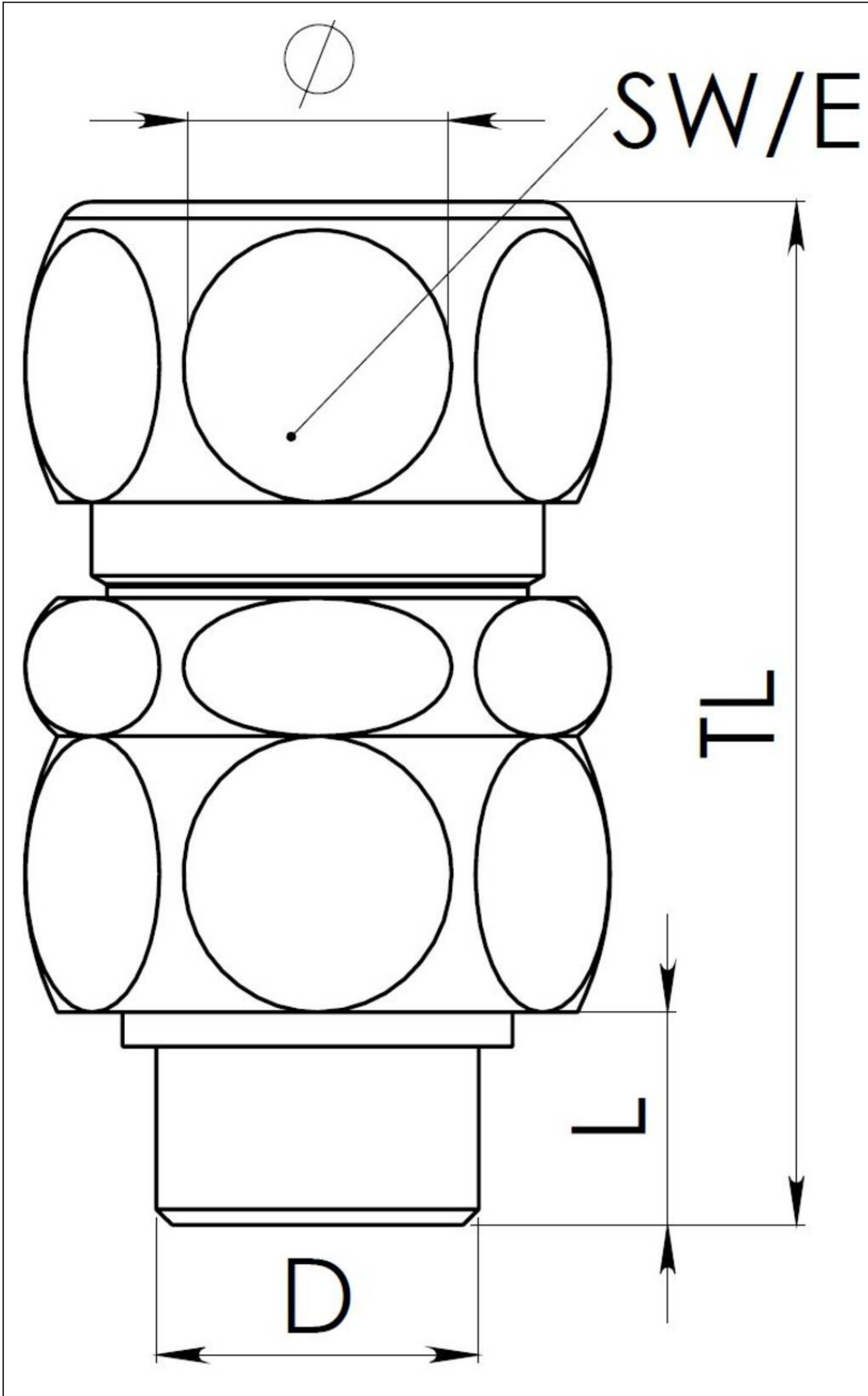
Your Contact:

WISKA Hoppmann GmbH

Kisdorfer Weg 28 · 24568 Kaltenkirchen · Germany

☎ +49-4191-508-0 · 📠 +49-4191-508-209

contact@wiska.de · www.wiska.com



Your Contact:
WISKA Hoppmann GmbH
Kisdorfer Weg 28 · 24568 Kaltenkirchen · Germany
☎ +49-4191-508-0 · 📠 +49-4191-508-209
contact@wiska.de · www.wiska.com