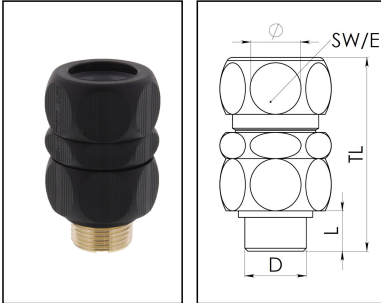


CUPG-GS06-M32

ShieldGLAND M32



Products may differ in size, colour and appearance to those shown. If you require further information or customisation, please contact us directly.

| | |
|---------------------------------------|-----------------------|
| Material cable gland | Brass, Polyamide |
| Material sealing gasket | TPE, EPDM |
| Material clamping cage | Polyamide |
| Temp. range min | -40 °C |
| Temp. range max | 100 °C |
| Protection class | IP68 (1,0 bar 30 min) |
| Thread type | M |
| Ø Connection thread D | 32 |
| Lead | 1,5 |
| Length screw-in thread L | 13 mm |
| Ø cable diameter min | 24 mm |
| Ø cable diameter max | 36 mm |
| Ø cable below cable shield max | 24 mm - 30 mm |
| Key width SW | 50 mm |
| Collar diameter (E) | 56 mm |
| Total length TL | 66 mm - 72 mm |
| Install. torques cap nut | 8 N m |
| Install. torques fitting | 8 N m |
| Advice | LSOH, LSF |
| WISKA-Order no. | 10112108 |
| Type | CUPG-GS06-M32 |
| Packing unit | 10 |
| Tariff number | 74198090 |
| EAN number | 4007686292091 |
| ETIM-Classification | EC000441 |

Your Contact:

WISKA Hoppmann GmbH

Kisdorfer Weg 28 · 24568 Kaltenkirchen · Germany

☎ +49-4191-508-0 · 📠 +49-4191-508-209

contact@wiska.de · www.wiska.com

Remarks:

LSF = Low smoke and fume

LSOH = Low smoke zero halogen

12.05.2026

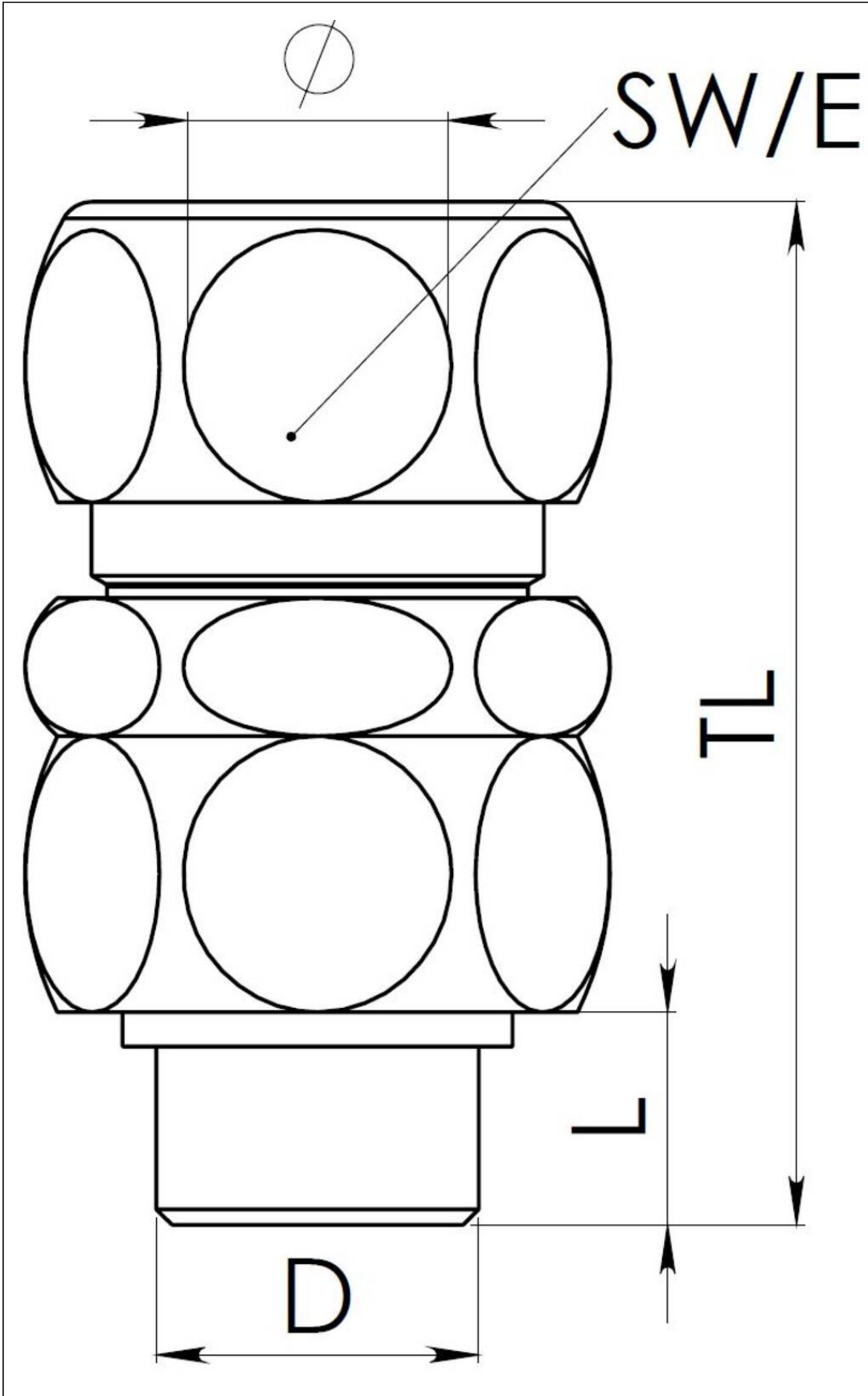
Your Contact:

WISKA Hoppmann GmbH

Kisdorfer Weg 28 · 24568 Kaltenkirchen · Germany

☎ +49-4191-508-0 · 📠 +49-4191-508-209

contact@wiska.de · www.wiska.com



Your Contact:
WISKA Hoppmann GmbH
Kisdorfer Weg 28 · 24568 Kaltenkirchen · Germany
☎ +49-4191-508-0 · 📠 +49-4191-508-209
contact@wiska.de · www.wiska.com