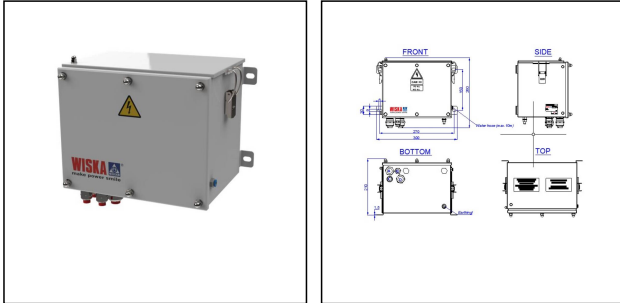


WTC2520/FIX/EP

Junction box/water tank combination, Stainless steel 2,5L IP66/67



Products may differ in size, colour and appearance to those shown. If you require further information or customisation, please contact us directly.

Type	WTC2520/FIX/EP
WISKA-Order no.	10112120
Material	Stainless Steel 316L (1.4404)
Protection class	IP66
Temp. range min	-30 °C
Temp. range max	55 °C
Vibration (0-100Hz)	0,7 g
Operational areas	Indoor / Outdoor
Range of use	Network system
for camera	IP
Mounting	Surface mounting
Colour	RAL 9016
Surface	Powder coated
Advice	incl. 10m Waterhose
Voltage	100 V - 240 V
Type of Voltage	AC, 50-60Hz
Max. Power	4 A
Max. Wattage
	163 W
Weight	6 kg
Tariff number	85369010

Remarks:

Junction box/water tank combination
 type WTC2520/FIX/EP, Stainless steel S316L,
 2,5L IP66
 For fixed IP camera station type

Your Contact:

WISKA Hoppmann GmbH
 Kisdorfer Weg 28 · 24568 Kaltenkirchen · Germany
 ☎ +49-4191-508-0 · 📠 +49-4191-508-209
 contact@wiska.de · www.wiska.com

Power supply: 100...240VAC /50-60Hz 4A

Cable glands: 4x EMSKV 20, 1x EMSKV 25

12.05.2026

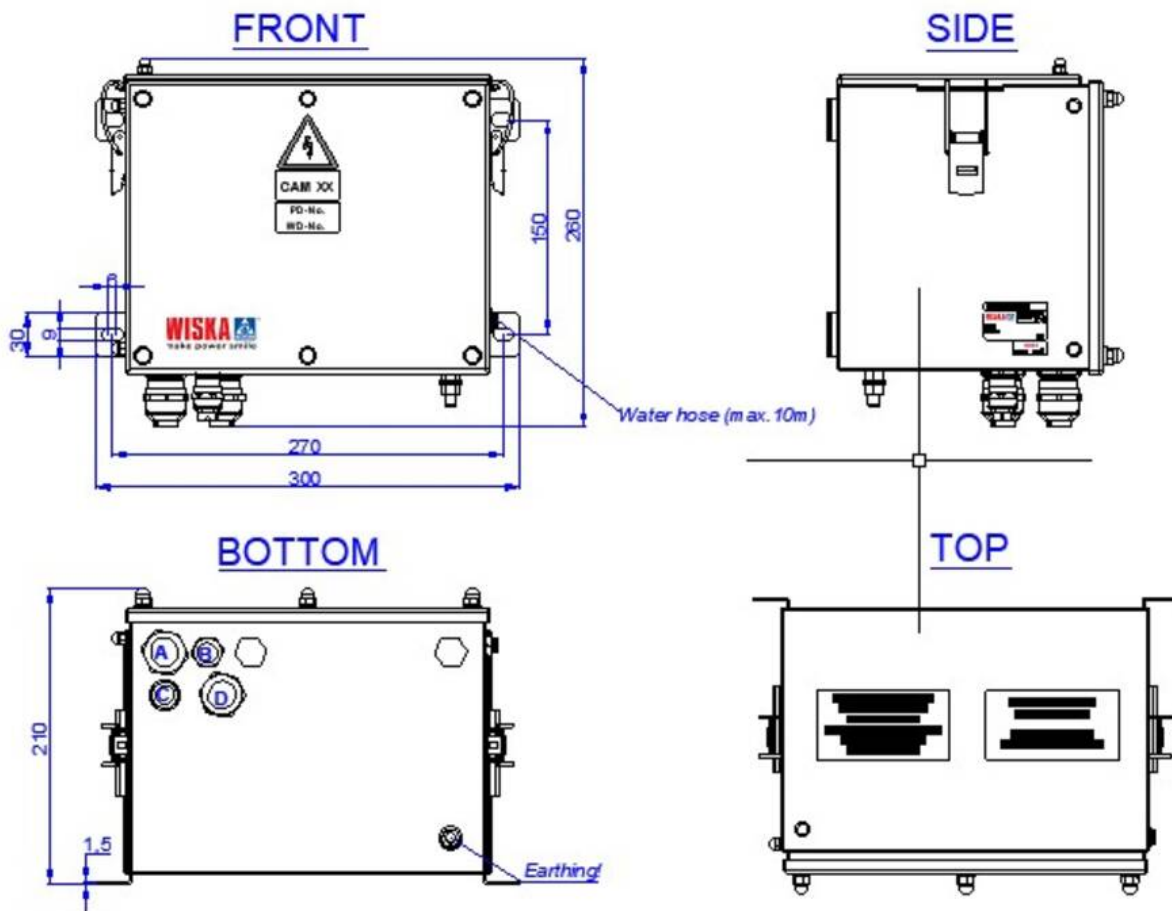
Your Contact:

WISKA Hoppmann GmbH

Kisdorfer Weg 28 · 24568 Kaltenkirchen · Germany

☎ +49-4191-508-0 · 📠 +49-4191-508-209

contact@wiska.de · www.wiska.com



Your Contact:

WISKA Hoppmann GmbH

Kisdorfer Weg 28 · 24568 Kaltenkirchen · Germany

☎ +49-4191-508-0 · 📠 +49-4191-508-209

contact@wiska.de · www.wiska.com