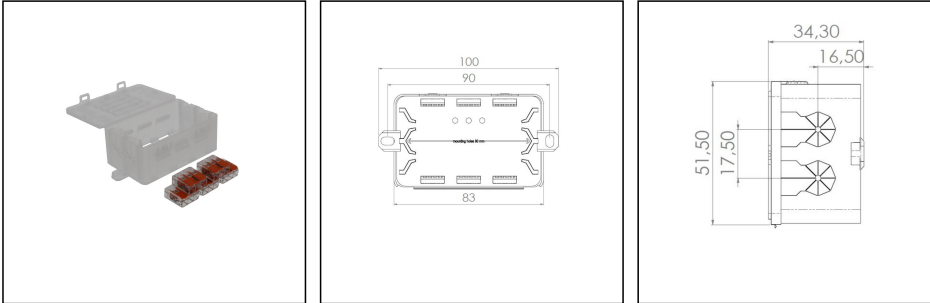


KonnektIT 204 CL / 5x221-413

Junction box 100x52x34mm Polyethylene clear WAGO Terminals



Products may differ in size, colour and appearance to those shown. If you require further information or customisation, please contact us directly.

Material	Polypropylene
Protection class	IP20
Temp. range min	-30 °C
Temp. range max	60 °C
Temperatures during install.	-5 °C - 60 °C
Glow wire test	750 °C
Voltage	400 V
Rated cross section	1,5 mm ²
Fixing	2 external mounting feet
External dimensions LxWxH	100 x 51,5 x 34 mm
Product Color	transparent
WISKA-Order no.	10112582
Type	KonnektIT 204 CL / 5x221-413
Packing unit	10
EAN number	4007686298970
Tariff number	39269097
ETIM-Classification	EC002600

Equipment:

captive cover

5x WAGO terminals 221-413

Fixing:

External mounting feet, suitable for the use of special mounting components

Your Contact:

WISKA Hoppmann GmbH

Kisdorfer Weg 28 · 24568 Kaltenkirchen · Germany

☎ +49-4191-508-0 · 📠 +49-4191-508-209

contact@wiska.de · www.wiska.com

Recommended accessories

ESD 30 LG	10109875
ESV LG	10109876
EDV LG	10109877

12.05.2026

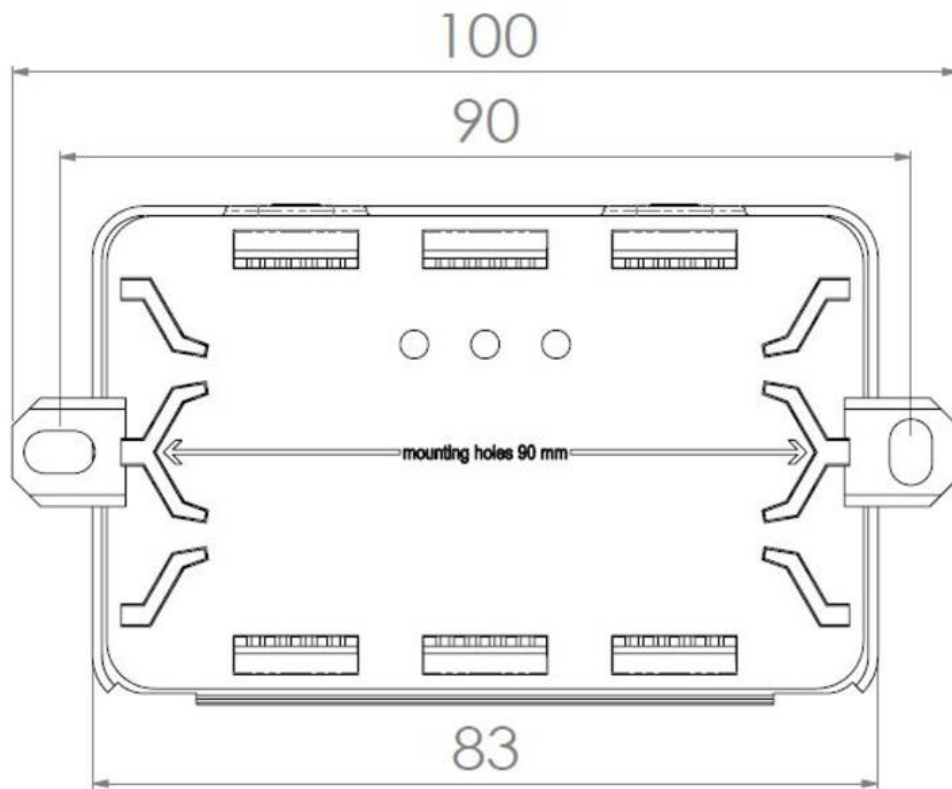
Your Contact:

WISKA Hoppmann GmbH

Kisdorfer Weg 28 · 24568 Kaltenkirchen · Germany

☎ +49-4191-508-0 · 📠 +49-4191-508-209

contact@wiska.de · www.wiska.com



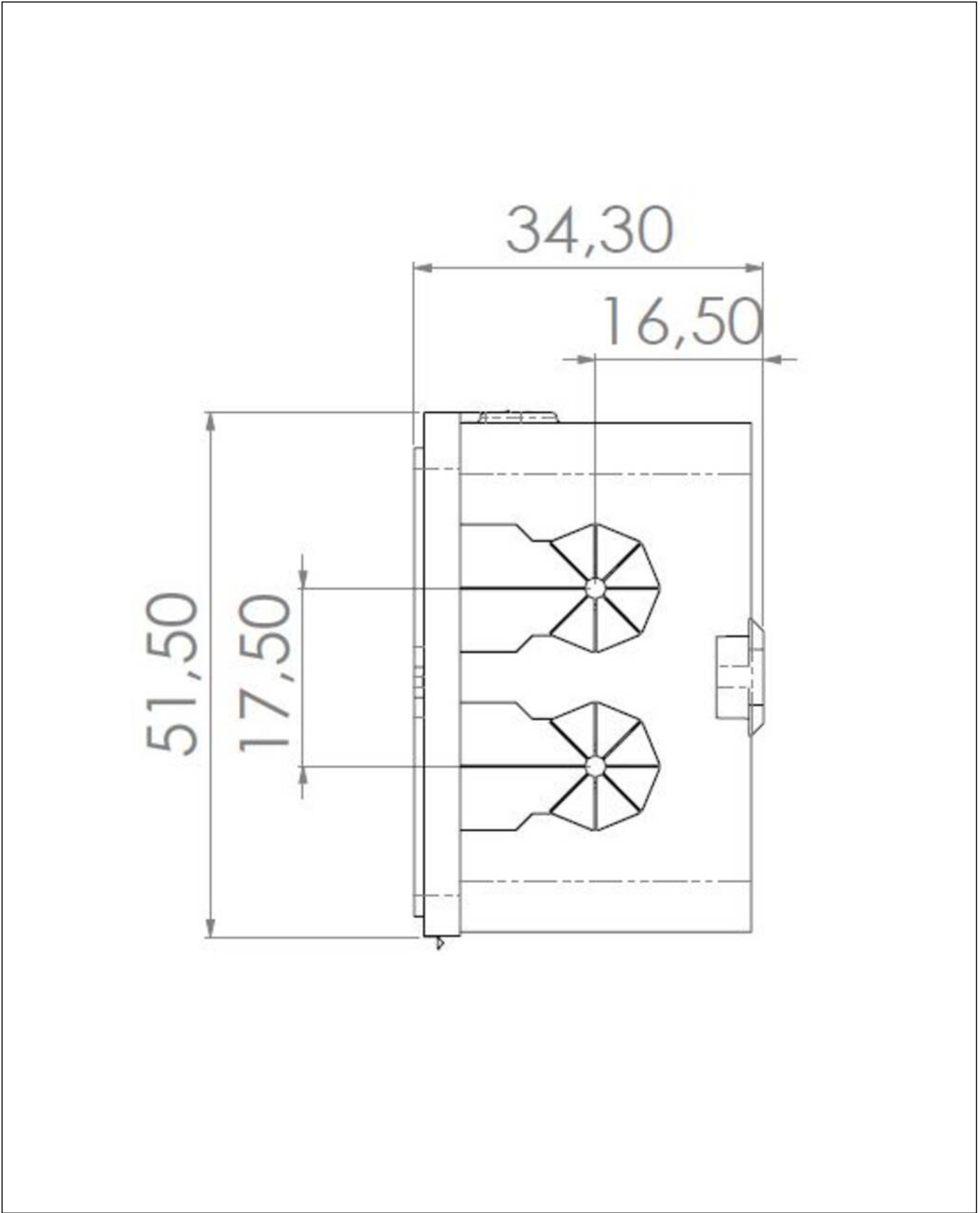
Your Contact:

WISKA Hoppmann GmbH

Kisdorfer Weg 28 · 24568 Kaltenkirchen · Germany

☎ +49-4191-508-0 · 📠 +49-4191-508-209

contact@wiska.de · www.wiska.com



Your Contact:

WISKA Hoppmann GmbH

Kisdorfer Weg 28 · 24568 Kaltenkirchen · Germany

☎ +49-4191-508-0 · 📠 +49-4191-508-209

contact@wiska.de · www.wiska.com