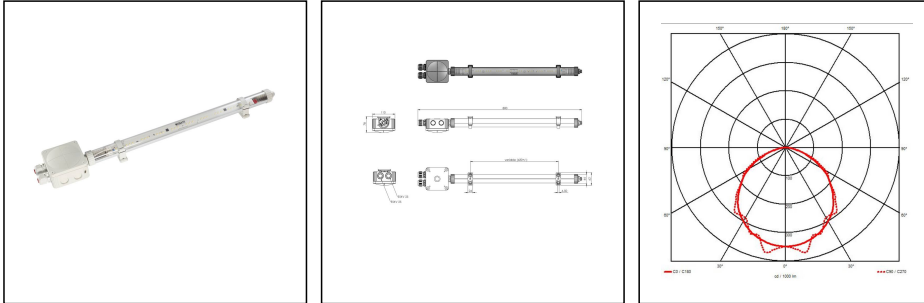


4000-1x13-230-2-CE-LE

LED multi-purpose luminaire 4000 for lashing walkways 1x13W 230V, IP66/67



Products may differ in size, colour and appearance to those shown. If you require further information or customisation, please contact us directly.



WISKA-Order no.	10112727
Type	4000-1x13-230-2-CE-LE
Material	Polycarbonate
Globe colour	Clear
Wattage	13 W
Power[^]	1 x 13 W
Voltage	230 V
Protection class	IP66 / IP67
Type of Voltage	AC
Frequence	50/60 Hz
Connection	Connection box 607
Operational areas	Outdoor, Engine room
Temp. range min	-30 °C
Temp. range max	55 °C
Lightsource	LED
Lightsource incl.	Yes
Colour temperature	5600 K
Luminous flux	1400 lm
Colour rendering index	CRI > 80
Ø cable diameter min	7 mm
Ø cable diameter max	17 mm
Rated Lifetime	L70/B50 @Ta +35 °C
System Lifetime	100000 h
Mounting	Ceiling, Wall, Surface mounting
Colour	RAL 7035

Your Contact:

WISKA Hoppmann GmbH

Kisdorfer Weg 28 · 24568 Kaltenkirchen · Germany

☎ +49-4191-508-0 · 📠 +49-4191-508-209

contact@wiska.de · www.wiska.com

Approval

RMRS, DNV-GL

Weight

0,61 kg

Remarks:

- LED strip
- Connection box COMBI 607
- 2 cable glands ESKV 25 RDE included
- Breathing via VentPLUG mounted in end cap
- Mounting via 2 clamps

Recommended accessories**SP-4000-Pipe clamp stainless steel 2 pcs**

22001016

Spare parts**SP-4000-Pipe clamps set for COMBI**

22001364

23.05.2026

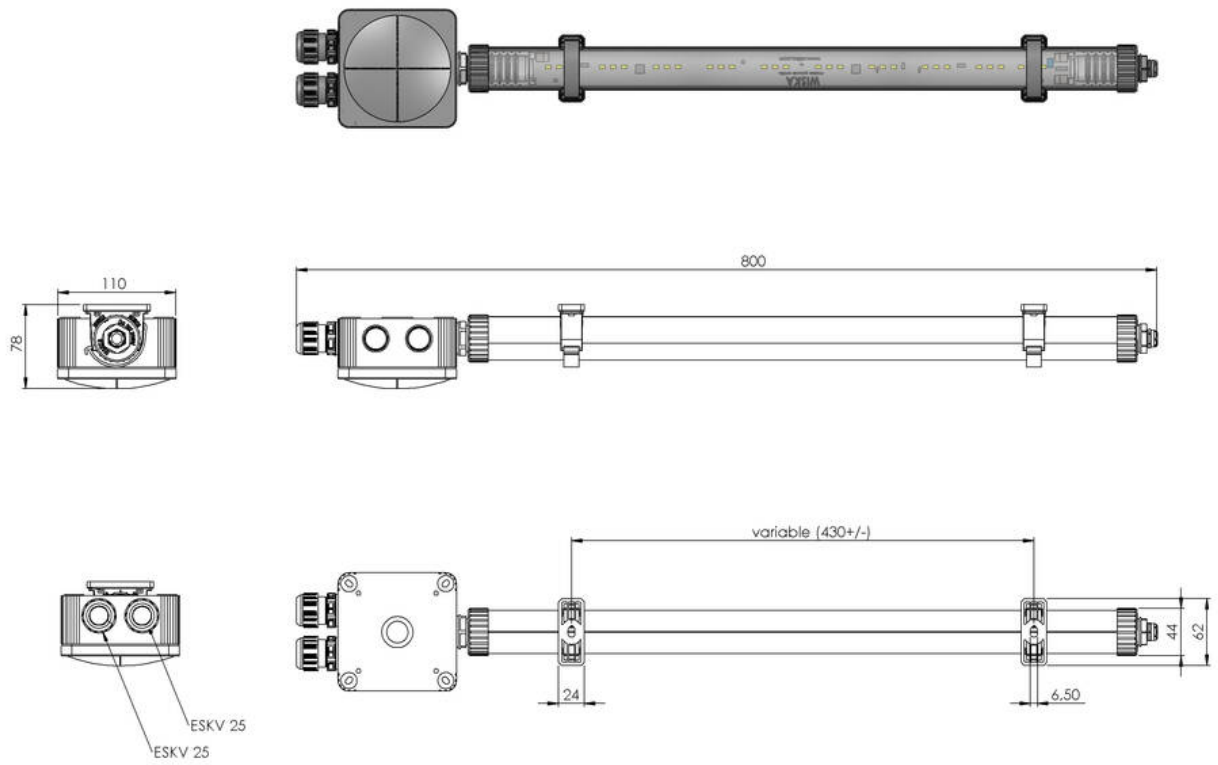
Your Contact:

WISKA Hoppmann GmbH

Kisdorfer Weg 28 · 24568 Kaltenkirchen · Germany

☎ +49-4191-508-0 · 📠 +49-4191-508-209

contact@wiska.de · www.wiska.com



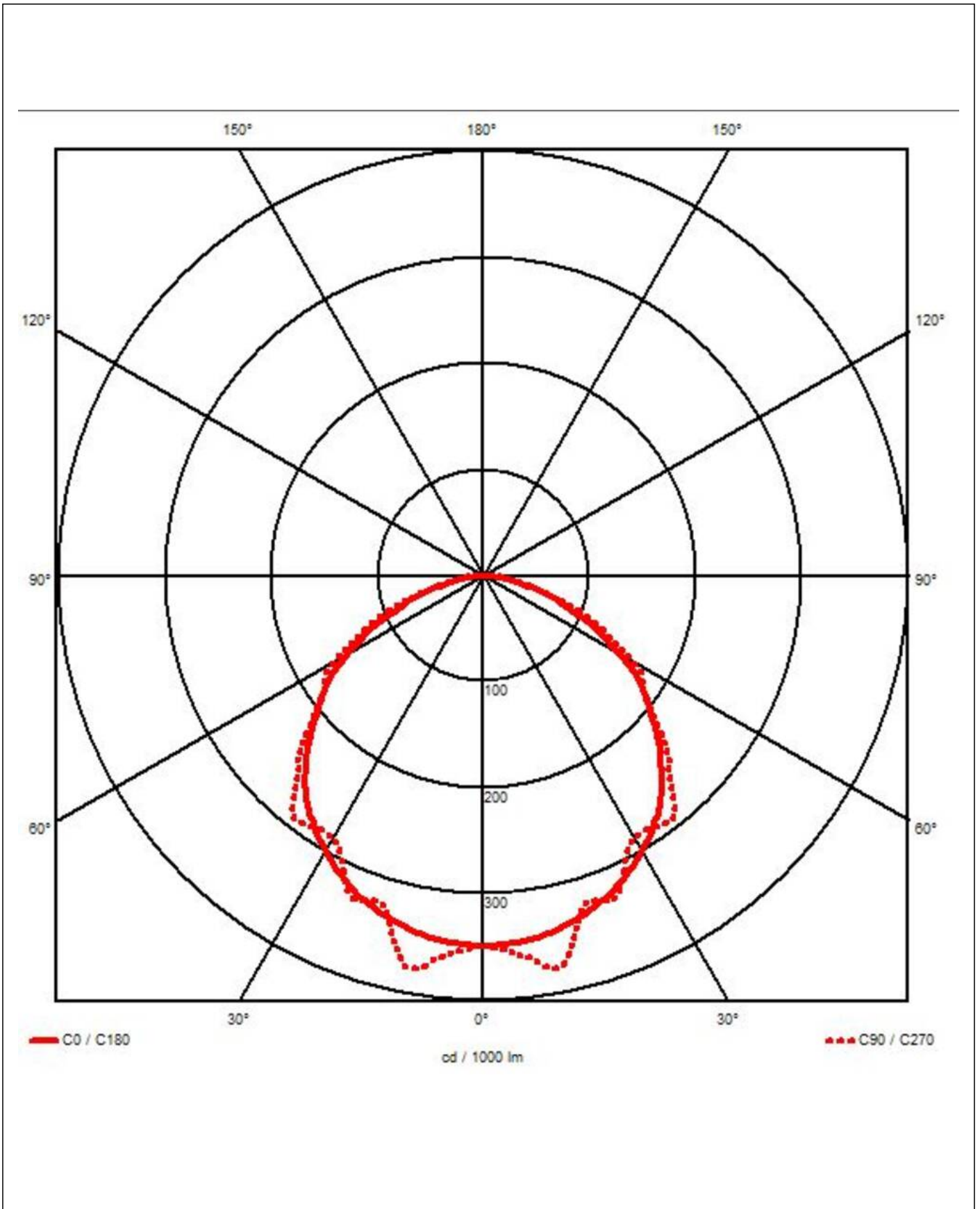
Your Contact:

WISKA Hoppmann GmbH

Kisdorfer Weg 28 · 24568 Kaltenkirchen · Germany

☎ +49-4191-508-0 · 📠 +49-4191-508-209

✉ contact@wiska.de · 🌐 www.wiska.com



Your Contact:

WISKA Hoppmann GmbH

Kisdorfer Weg 28 · 24568 Kaltenkirchen · Germany

☎ +49-4191-508-0 · 📠 +49-4191-508-209

✉ contact@wiska.de · 🌐 www.wiska.com