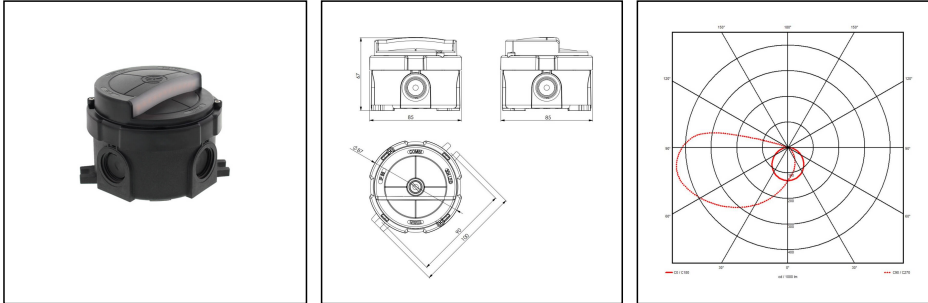


## COMBI MARITIM 304 LED AC T BK

LED-luminaire 304 plastic LED-Modul 2,5W 230VAC



Products may differ in size, colour and appearance to those shown. If you require further information or customisation, please contact us directly.

<b>WISKA-Order no.</b>	10112746
<b>Type</b>	COMBI MARITIM 304 LED AC T BK
<b>Material</b>	Plastic
<b>Globe colour</b>	Opal
<b>Power<sup>^</sup></b>	2,5 W
<b>Voltage</b>	230 V
<b>Protection class</b>	IP66
<b>Type of Voltage</b>	AC / DC
<b>Frequence</b>	50/60 Hz
<b>Operational areas</b>	Outdoor, Indoor
<b>Temp. range min</b>	-20 °C
<b>Temp. range max</b>	45 °C
<b>Lightsource</b>	LED
<b>Lightsource incl.</b>	Yes
<b>Colour temperature</b>	2700 K
<b>Luminous flux</b>	200 lm
<b>Colour rendering index</b>	RA>90
<b>Type of cable gland</b>	M 20 x 1,5
<b>Ø cable diameter min</b>	6 mm
<b>Ø cable diameter max</b>	13 mm
<b>Average lamp durability</b>	30000 h
<b>Rated Lifetime</b>	L90/B10 @Ta +45 °C
<b>Mounting</b>	Surface mounting, Wall
<b>Material cable gland</b>	Polyamide
<b>Colour</b>	Black

Your Contact:

**WISKA Hoppmann GmbH**

Kisdorfer Weg 28 · 24568 Kaltenkirchen · Germany

☎ +49-4191-508-0 · 📠 +49-4191-508-209

contact@wiska.de · www.wiska.com

<b>Equipment</b>	Through wiring
<b>External dimensions LxWxH</b>	Ø 87 x 67 mm
<b>Weight</b>	0,16 kg

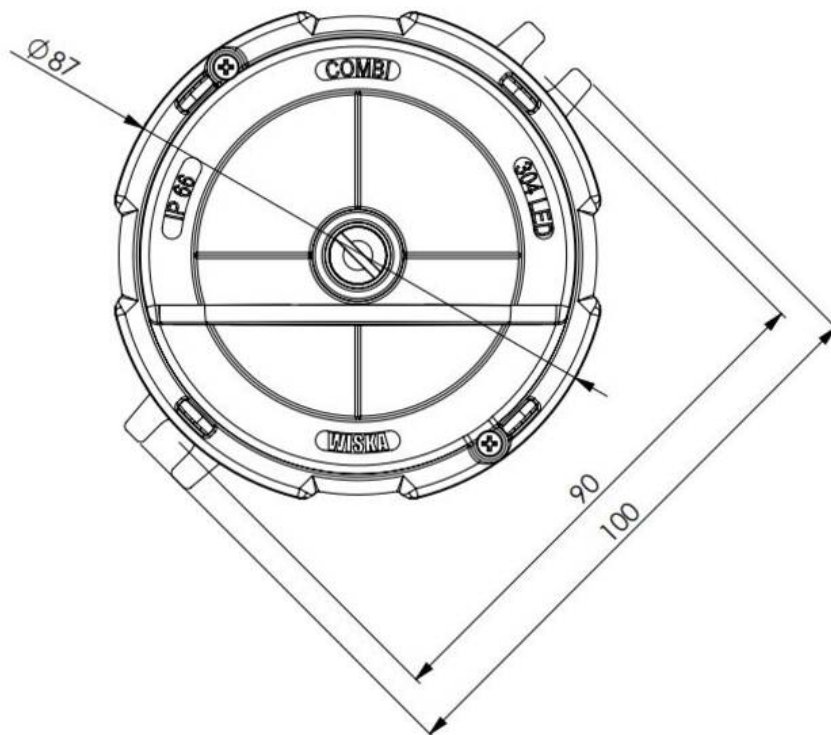
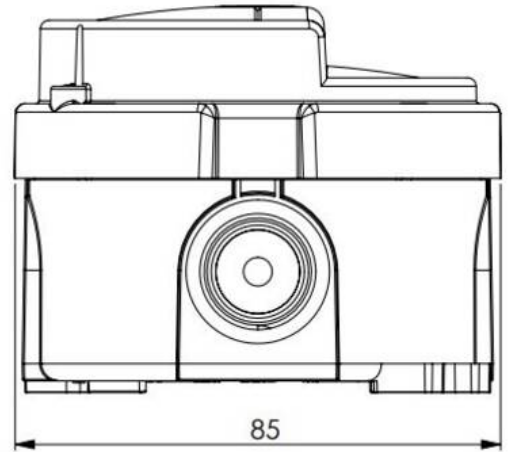
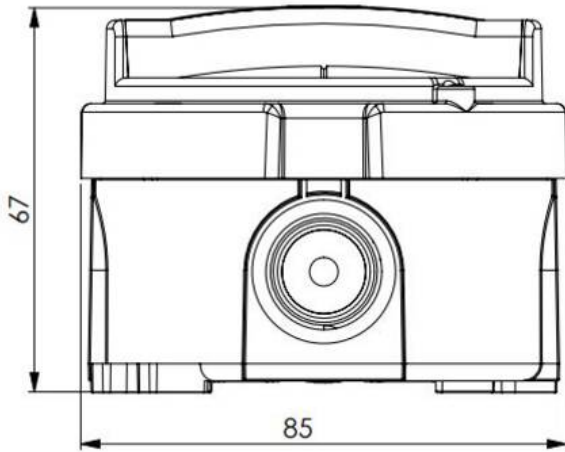
Remarks:

- incl. 2 cable glands
  - 1x ESKV 20 BK für Kabel Ø 6-13mm
  - 1x Ventgland M20 BK
- enclosed loose

26.06.2026

Your Contact:

**WISKA Hoppmann GmbH**  
Kisdorfer Weg 28 · 24568 Kaltenkirchen · Germany  
☎ +49-4191-508-0 · 📠 +49-4191-508-209  
contact@wiska.de · www.wiska.com



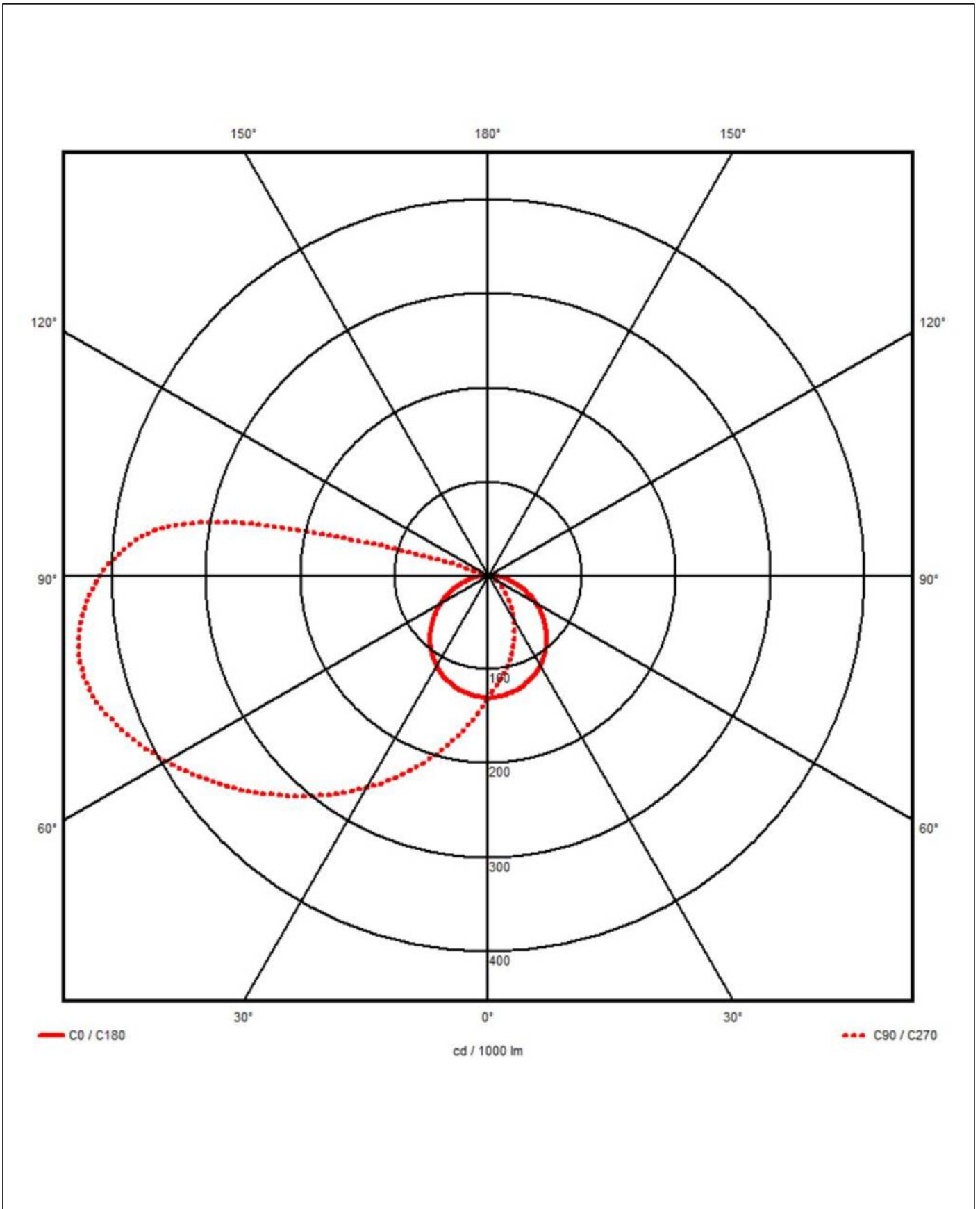
Your Contact:

**WISKA Hoppmann GmbH**

Kisdorfer Weg 28 · 24568 Kaltenkirchen · Germany

☎ +49-4191-508-0 · 📠 +49-4191-508-209

contact@wiska.de · www.wiska.com



Your Contact:

**WISKA Hoppmann GmbH**

Kisdorfer Weg 28 · 24568 Kaltenkirchen · Germany

☎ +49-4191-508-0 · 📠 +49-4191-508-209

contact@wiska.de · www.wiska.com