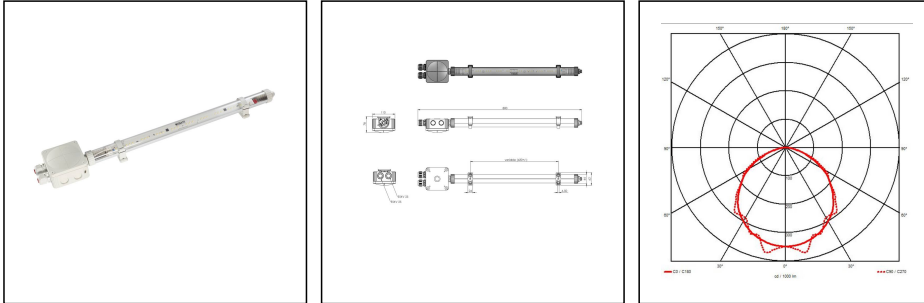


## 4000-1x13-230-2-CE-Z01-LE

LED multi-purpose luminaire 4000 for lashing walkways 1x13W 230V, IP66/67



Products may differ in size, colour and appearance to those shown. If you require further information or customisation, please contact us directly.



<b>WISKA-Order no.</b>	10112849
<b>Type</b>	4000-1x13-230-2-CE-Z01-LE
<b>Material</b>	Polycarbonate
<b>Globe colour</b>	Clear
<b>Wattage</b>	13 W
<b>Power<sup>^</sup></b>	1 x 13 W
<b>Voltage</b>	230 V
<b>Protection class</b>	IP66 / IP67
<b>Type of Voltage</b>	AC
<b>Frequence</b>	50/60 Hz
<b>Connection</b>	Connection box 607
<b>Operational areas</b>	Outdoor, Engine room
<b>Temp. range min</b>	-30 °C
<b>Temp. range max</b>	55 °C
<b>Lightsource</b>	LED
<b>Lightsource incl.</b>	Yes
<b>Colour temperature</b>	5600 K
<b>Luminous flux</b>	1400 lm
<b>Colour rendering index</b>	CRI > 80
<b>Ø cable diameter min</b>	7 mm
<b>Ø cable diameter max</b>	17 mm
<b>Rated Lifetime</b>	L70/B50 @Ta +35 °C
<b>System Lifetime</b>	100000 h
<b>Mounting</b>	Ceiling, Wall, Surface mounting
<b>Colour</b>	RAL 7035

Your Contact:

**WISKA Hoppmann GmbH**

Kisdorfer Weg 28 · 24568 Kaltenkirchen · Germany

☎ +49-4191-508-0 · 📠 +49-4191-508-209

contact@wiska.de · www.wiska.com

<b>Approval</b>	RMRS, DNV-GL
<b>Weight</b>	0,61 kg

Remarks:

- LED strip
- Connection box COMBI 607
- 2 cable glands ESKV 25 RDE included
- Breathing via VentPLUG mounted in end cap
- Mounting via 2 clamps
- mounting kit for pipe clamps

**Recommended accessories**

<b>SP-4000-Pipe clamp stainless steel 2 pcs</b>	22001016
---	----------

**Spare parts**

<b>SP-4000-Pipe clamps set for COMBI</b>	22001364
--	----------

23.05.2026

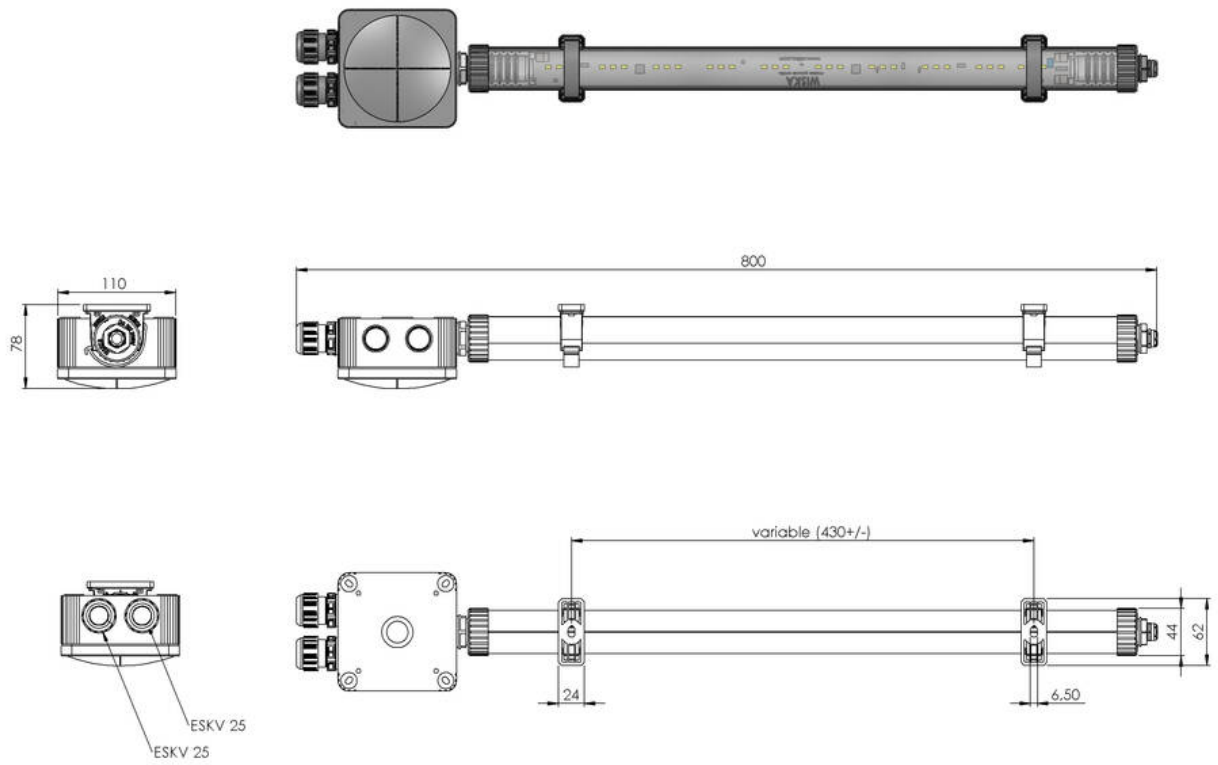
Your Contact:

**WISKA Hoppmann GmbH**

Kisdorfer Weg 28 · 24568 Kaltenkirchen · Germany

☎ +49-4191-508-0 · 📠 +49-4191-508-209

contact@wiska.de · www.wiska.com



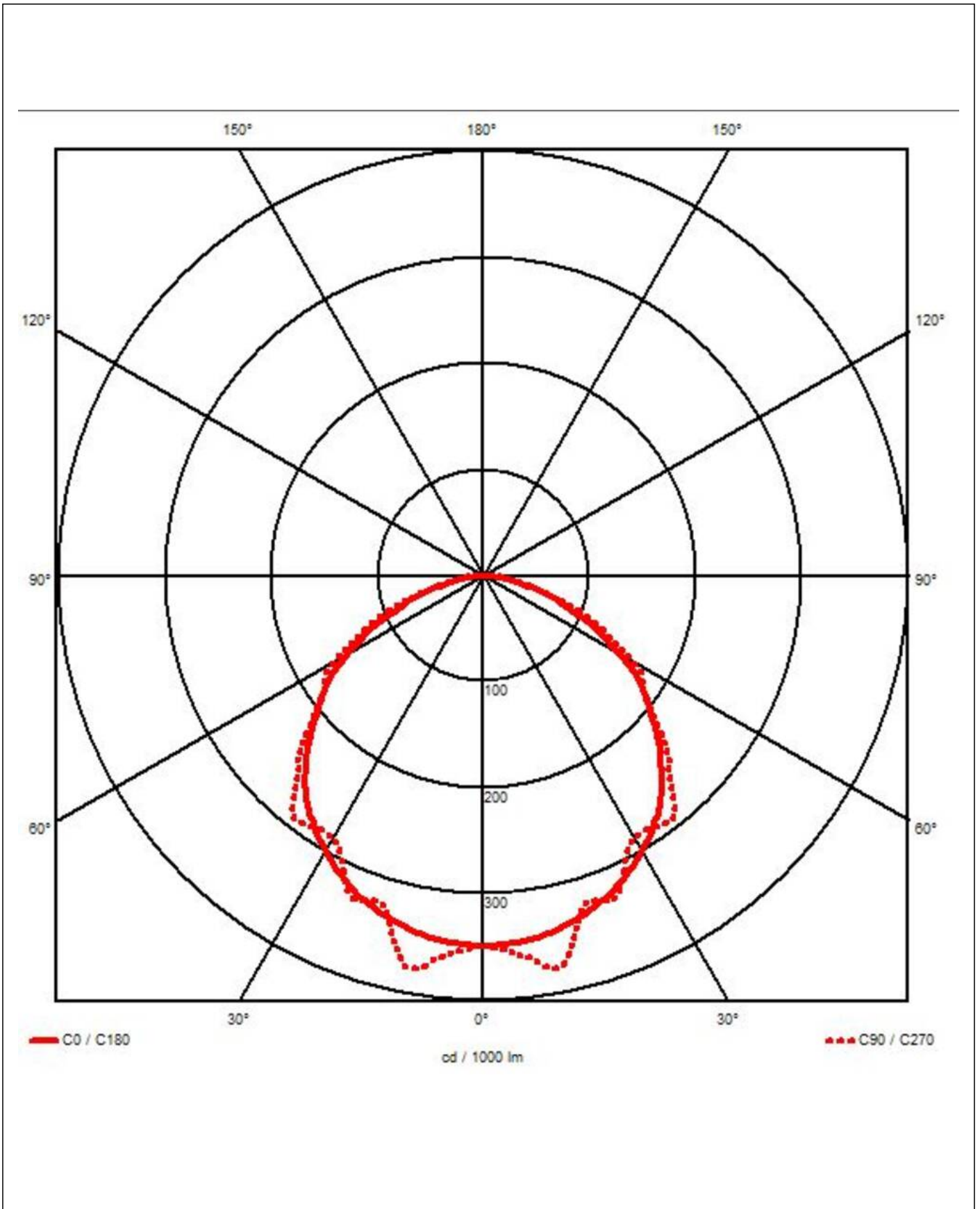
Your Contact:

**WISKA Hoppmann GmbH**

Kisdorfer Weg 28 · 24568 Kaltenkirchen · Germany

☎ +49-4191-508-0 · 📠 +49-4191-508-209

✉ contact@wiska.de · 🌐 www.wiska.com



Your Contact:

**WISKA Hoppmann GmbH**

Kisdorfer Weg 28 · 24568 Kaltenkirchen · Germany

☎ +49-4191-508-0 · 📠 +49-4191-508-209

contact@wiska.de · www.wiska.com