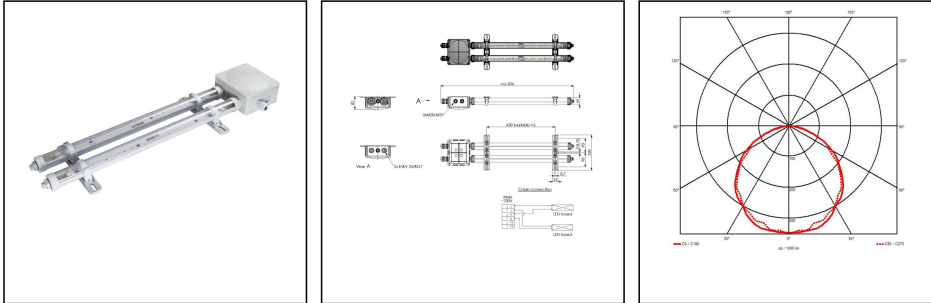


## 4000-2x13-230-2-CA-LE

LED multi-purpose luminaire 4000, 2x13W 230V, plastic, IP66/67



Products may differ in size, colour and appearance to those shown. If you require further information or customisation, please contact us directly.



<b>WISKA-Order no.</b>	10112865
<b>Type</b>	4000-2x13-230-2-CA-LE
<b>Material</b>	Polycarbonate
<b>Globe colour</b>	Clear
<b>Wattage</b>	26 W
<b>Power<sup>^</sup></b>	2 x 13 W
<b>Voltage</b>	230 V
<b>Protection class</b>	IP66 / IP67
<b>Type of Voltage</b>	AC
<b>Frequence</b>	50/60 Hz
<b>Connection</b>	connection box 1210
<b>Operational areas</b>	Outdoor, Engine room, Cargo hold
<b>Temp. range min</b>	-30 °C
<b>Temp. range max</b>	55 °C
<b>Lightsource</b>	LED
<b>Lightsource incl.</b>	Yes
<b>Colour temperature</b>	5600 K
<b>Luminous flux</b>	2800 lm
<b>Colour rendering index</b>	CRI > 80
<b>Ø cable diameter min</b>	7,5 mm
<b>Ø cable diameter max</b>	14 mm
<b>Rated Lifetime</b>	L70/B50 @Ta +35 °C
<b>System Lifetime</b>	100000 h
<b>Mounting</b>	Ceiling, Wall, Surface mounting
<b>Colour</b>	RAL 7035

Your Contact:

**WISKA Hoppmann GmbH**

Kisdorfer Weg 28 · 24568 Kaltenkirchen · Germany

☎ +49-4191-508-0 · 📠 +49-4191-508-209

contact@wiska.de · www.wiska.com

<b>External dimensions LxWxH</b>	791x220x83mm
<b>Approval</b>	RMRS, DNV-GL
<b>Weight</b>	1,2 kg

Remarks:

LED strip Ledvance  
Connection box COMBI MAR 1210  
2 cable glands ESKV 20 Plus included  
for cable Ø 7,5-14mm  
Breathing via VentPLUG mounted  
in end cap  
Mounting via 2 mounting rails

**Recommended accessories**

<b>SP-MPL Vibration damper (2 pcs)</b>	22000874
--	----------

**Spare parts**

<b>SP-4000-Pipe clamps with rail</b>	22000723
--------------------------------------	----------

23.05.2026

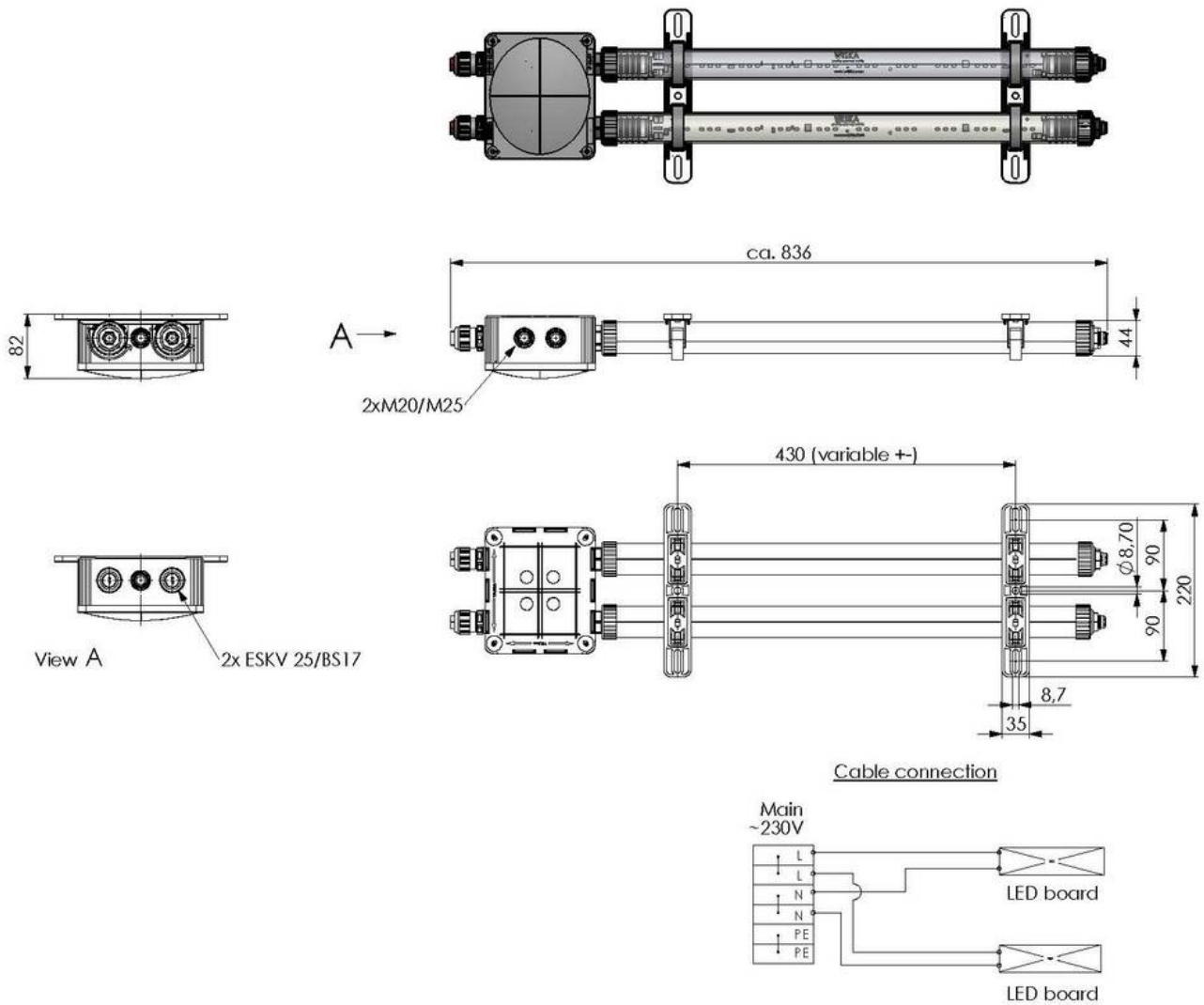
Your Contact:

**WISKA Hoppmann GmbH**

Kisdorfer Weg 28 · 24568 Kaltenkirchen · Germany

☎ +49-4191-508-0 · 📠 +49-4191-508-209

contact@wiska.de · www.wiska.com



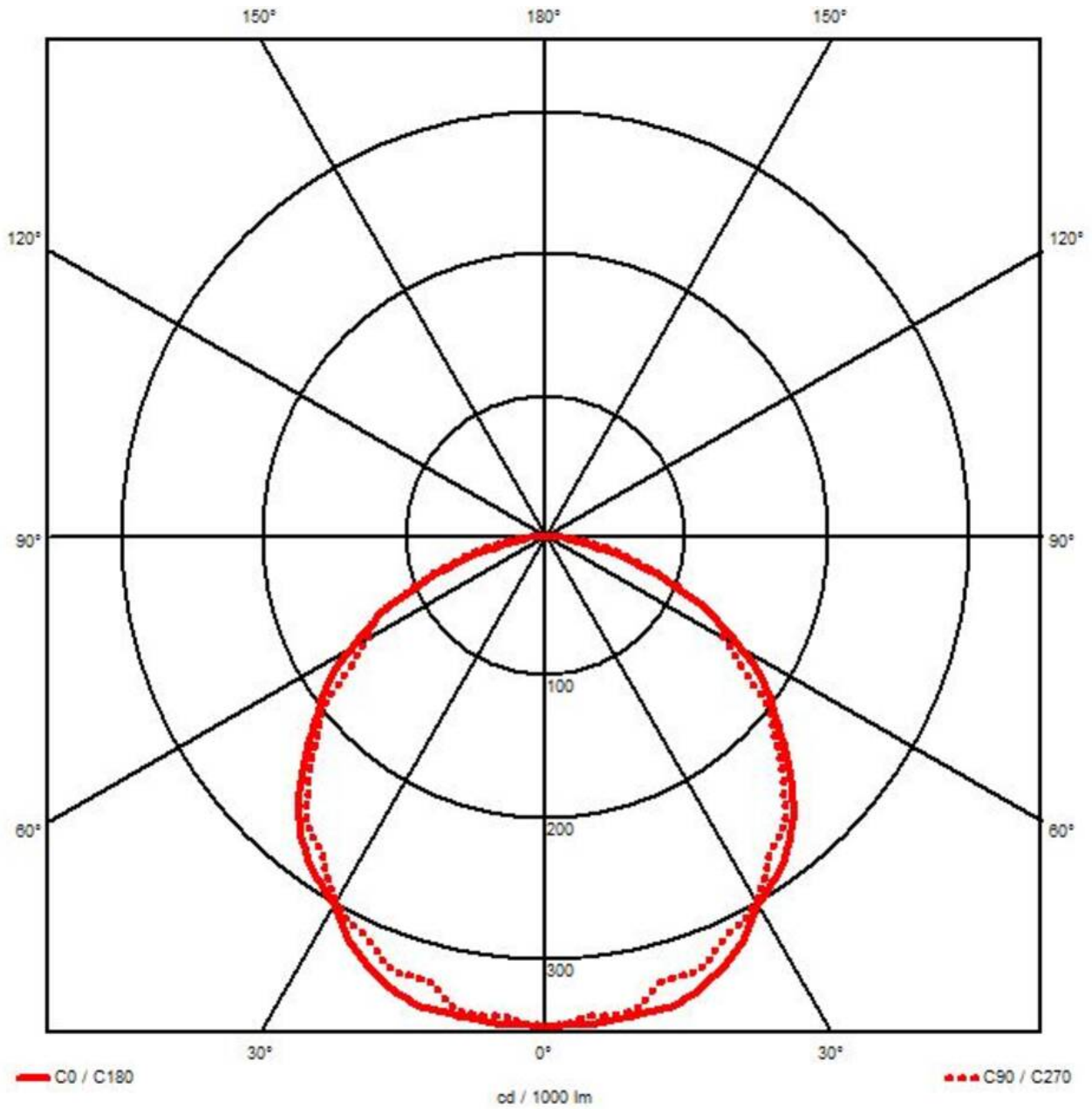
Your Contact:

**WISKA Hoppmann GmbH**

Kisdorfer Weg 28 · 24568 Kaltenkirchen · Germany

☎ +49-4191-508-0 · 📠 +49-4191-508-209

contact@wiska.de · www.wiska.com



Your Contact:

**WISKA Hoppmann GmbH**

Kisdorfer Weg 28 · 24568 Kaltenkirchen · Germany

☎ +49-4191-508-0 · 📠 +49-4191-508-209

✉ contact@wiska.de · 🌐 www.wiska.com