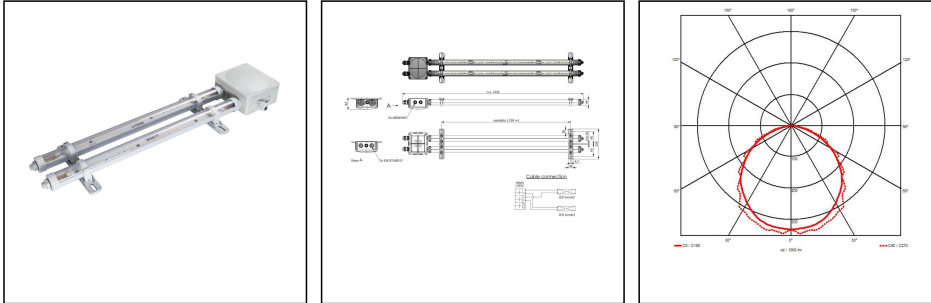


4000-2x26-230-2-CC-LE

LED multi-purpose luminaire 4000, 2x26W 230V, plastic, IP66/67



Products may differ in size, colour and appearance to those shown. If you require further information or customisation, please contact us directly.



WISKA-Order no.	10112868
Type	4000-2x26-230-2-CC-LE
Material	Polycarbonate
Globe colour	Clear
Wattage	52 W
Power[^]	2 x 26 W
Voltage	230 V
Protection class	IP66 / IP67
Type of Voltage	AC
Frequence	50/60 Hz
Connection	connection box 1210
Operational areas	Outdoor, Engine room, Cargo hold
Temp. range min	-30 °C
Temp. range max	55 °C
Lightsource	LED
Lightsource incl.	Yes
Colour temperature	5600 K
Luminous flux	5600 lm
Colour rendering index	CRI > 80
Vibration (0-100Hz)	4,0 g
Ø cable diameter min	9 mm
Ø cable diameter max	17 mm
Rated Lifetime	L70/B50 @Ta +35 °C
System Lifetime	100000 h
Mounting	Ceiling, Wall, Surface mounting

Your Contact:

WISKA Hoppmann GmbH

Kisdorfer Weg 28 · 24568 Kaltenkirchen · Germany

☎ +49-4191-508-0 · 📠 +49-4191-508-209

contact@wiska.de · www.wiska.com

Material cable gland	Polyamide
Colour	RAL 7035
External dimensions LxWxH	1245x220x53mm
Approval	RMRS, DNV-GL
Weight	1,6 kg

Remarks:

LED strip
 Connection box COMBI 1210
 2 cable glands ESKV-L 25 included
 for cable Ø 9-17mm
 Breathing via VentPLUG mounted
 in end cap
 Mounting via two mounting rails

Recommended accessories

SP-MPL Vibration damper (2 pcs)	22000874
--	----------

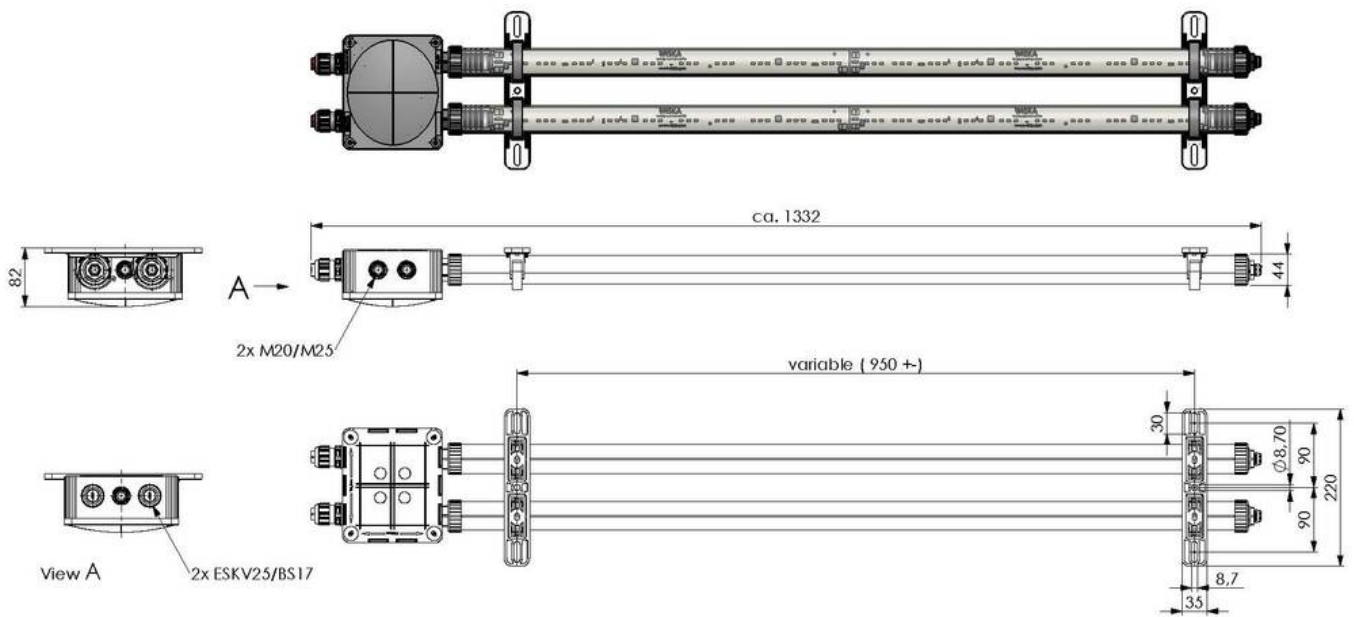
Spare parts

SP-4000-Pipe clamps with rail	22000723
--------------------------------------	----------

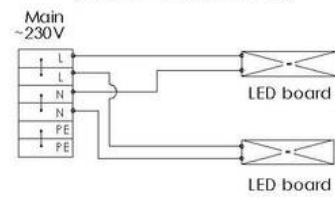
23.05.2026

Your Contact:

WISKA Hoppmann GmbH
 Kisdorfer Weg 28 · 24568 Kaltenkirchen · Germany
 ☎ +49-4191-508-0 · 📠 +49-4191-508-209
 contact@wiska.de · www.wiska.com



Cable connection



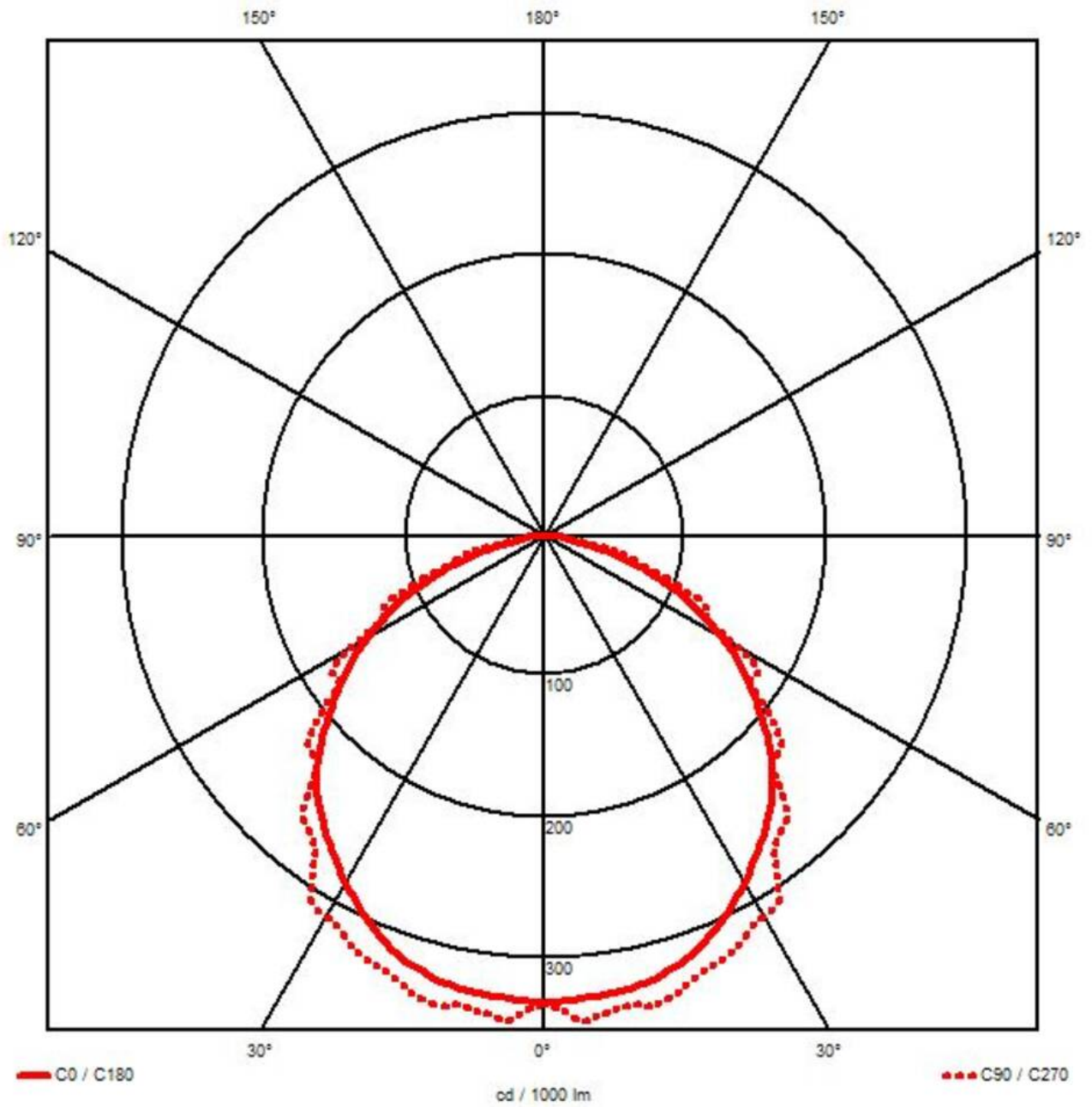
Your Contact:

WISKA Hoppmann GmbH

Kisdorfer Weg 28 · 24568 Kaltenkirchen · Germany

☎ +49-4191-508-0 · 📠 +49-4191-508-209

contact@wiska.de · www.wiska.com



Your Contact:

WISKA Hoppmann GmbH

Kisdorfer Weg 28 · 24568 Kaltenkirchen · Germany

☎ +49-4191-508-0 · 📠 +49-4191-508-209

contact@wiska.de · www.wiska.com