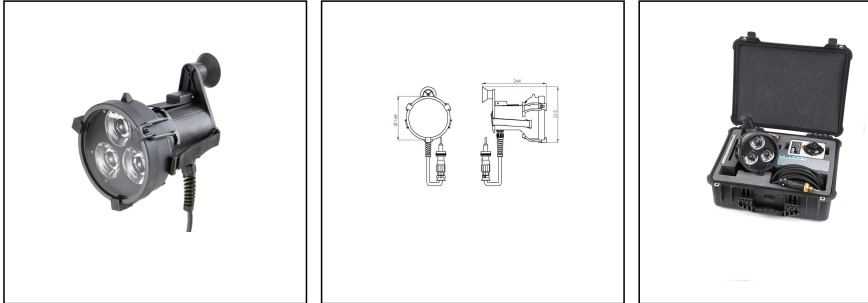


HML-ISO LED-5-C-W-F00-A01

Day Signalling Searchlight 5W 12V/24V DC, plastic, black



Products may differ in size, colour and appearance to those shown. If you require further information or customisation, please contact us directly.



WISKA-Order no.	10112870
Type	HML-ISO LED-5-C-W-F00-A01
Material	Polyamide, fibre reinforced
Material globe/diffuser	Polycarbonate
Colour	Black
Wattage	5 W
Voltage min. (V)	12 V
Voltage max. (V)	24 V
Type of Voltage	DC
Protection class	IP56
Operational areas	Emergency, Outdoor
Temp. range min	-25 °C
Temp. range max	55 °C
Lightsource	LED module
Lightsource incl.	Yes
Average lamp durability	10000 h
Globe colour	Clear
Light performance	immediately
Material cable gland	Polyamide
Power cable	H07RN-F 2x1,5mm ²
Ø cable diameter min	6 mm
Ø cable diameter max	13 mm
External dimensions LxWxH	160 x 244 x 215 mm
Approval	DNV
Weight	12,3 kg

Your Contact:

WISKA Hoppmann GmbH
Kisdorfer Weg 28 · 24568 Kaltenkirchen · Germany
☎ +49-4191-508-0 · 📠 +49-4191-508-209
contact@wiska.de · www.wiska.com

Equipment	without filter, incl. PowerPack + Charger
Advice	Case
Tariff number	94054910

Remarks:

- Signal range visibility: 4,062m during the day, 17,700m at night

Equipment:

- Toughened front glass
- Rubber sealing
- Quick fastening rubber
- Sighting device
- Micro switch for left- and right hander
- Connection cable 5m
- Mounted HML-ISO LED module + 1 replacement module
- SOS function
- Permanent light function
- Cargo and storage in watertight, IP 67 (1m; 30min) crushproof and dust proof case
- This device is built at least according to requirements of ABS, BV, DNV, LR, PRS
- Recommended bulb replacement after 10,000 h

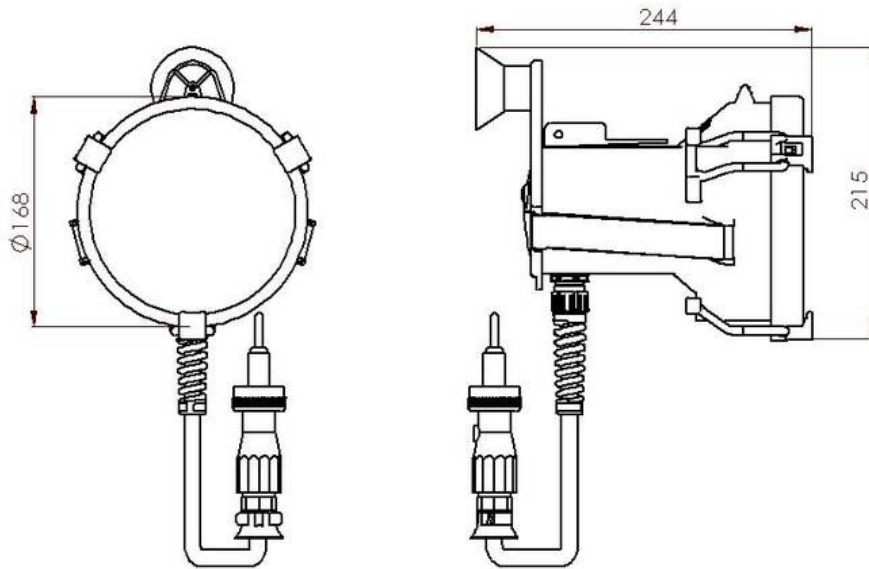
Spare parts

SP-HML-ISO 35 Surrounding frame	22000456
SP-HML-ISO 35 Front cover, clear	22000457
SP-HML-ISO 35 Quick release rubber	22000460
SP-HML-ISO 35 Concentric plug 117	22000463
SP-HML-ISO 35 Concentric socket DK 503	22000464
SP-HML-ISO 35 Power Pack	22000465
SP-HML-ISO 35 Charger	22000466
SP-HML-ISO 35 Filter, blue	22000467
SP-HML-ISO 35 Filter, green	22000468
SP-HML-ISO 35 Filter, red	22000469
SP-HML-ISO 35 Accu 12V 11,3Ah	22000616
SP-HML-ISO LED Module	22001383

23.05.2026

Your Contact:

WISKA Hoppmann GmbH
 Kisdorfer Weg 28 · 24568 Kaltenkirchen · Germany
 ☎ +49-4191-508-0 · 📠 +49-4191-508-209
 contact@wiska.de · www.wiska.com



Your Contact:

WISKA Hoppmann GmbH

Kisdorfer Weg 28 · 24568 Kaltenkirchen · Germany

☎ +49-4191-508-0 · 📠 +49-4191-508-209

contact@wiska.de · www.wiska.com