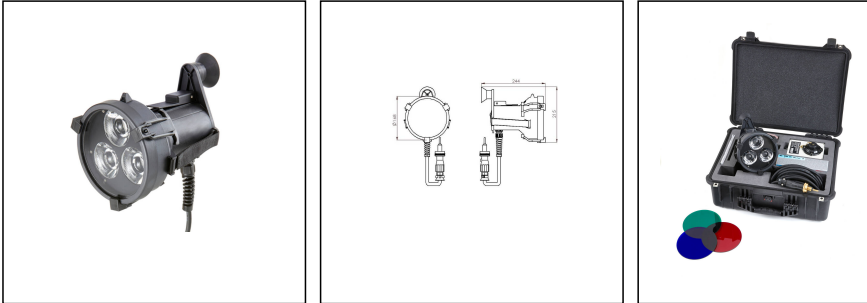


HML-ISO LED-5-C-W-F01-A01-Z03

Day Signalling Searchlight 5W 12V/24V DC, plastic, black



Products may differ in size, colour and appearance to those shown. If you require further information or customisation, please contact us directly.



WISKA-Order no.	10112872
Type	HML-ISO LED-5-C-W-F01-A01-Z03
Material	Polyamide, fibre reinforced
Material globe/diffuser	Polycarbonate
Colour	Black
Wattage	5 W
Voltage min. (V)	12 V
Voltage max. (V)	24 V
Type of Voltage	DC
Protection class	IP56
Operational areas	Emergency, Outdoor
Temp. range min	-25 °C
Temp. range max	55 °C
Lightsource	LED module
Lightsource incl.	Yes
Average lamp durability	10000 h
Globe colour	Clear
Light performance	immediately
Material cable gland	Polyamide
Power cable	H07RN-F 2x1,5mm ²
Ø cable diameter min	6 mm
Ø cable diameter max	13 mm
External dimensions LxWxH	160 x 244 x 215 mm
Approval	DNV
Weight	12,3 kg

Your Contact:

WISKA Hoppmann GmbH

Kisdorfer Weg 28 · 24568 Kaltenkirchen · Germany

☎ +49-4191-508-0 · 📠 +49-4191-508-209

contact@wiska.de · www.wiska.com

Equipment

incl. PowerPack + Charger, filter: red, green, blue

Additional information:

- Signal range: 4,062m during the day, 17,700m at night

Features:

- Front screen made of thermal shock-resistant safety glass
- Glass seal
- Quick-release rubber fastener
- Ring visor
- Microswitch for left and right-handers
- Connection cable 5m
- Mounted HML-ISO LED-module + 1 replacement module
- SOS function
- Continuous light function
- 2xBuilt-in socket DK 503
- Transport and storage in robust IP67 carrying case (1m;30min)
- WISKA devices fulfil at least the requirements of ABS, BV, DNV, LR, PRS
- Recommended bulb replacement after 10,000 h

Spare parts

SP-HML-ISO 35 Surrounding frame	22000456
SP-HML-ISO 35 Front cover, clear	22000457
SP-HML-ISO 35 Quick release rubber	22000460
SP-HML-ISO 35 Concentric plug 117	22000463
SP-HML-ISO 35 Concentric socket DK 503	22000464
SP-HML-ISO 35 Power Pack	22000465
SP-HML-ISO 35 Charger	22000466
SP-HML-ISO 35 Filter, blue	22000467
SP-HML-ISO 35 Filter, green	22000468
SP-HML-ISO 35 Filter, red	22000469
SP-HML-ISO 35 Accu 12V 11,3Ah	22000616
SP-HML-ISO LED Module	22001383

23.05.2026

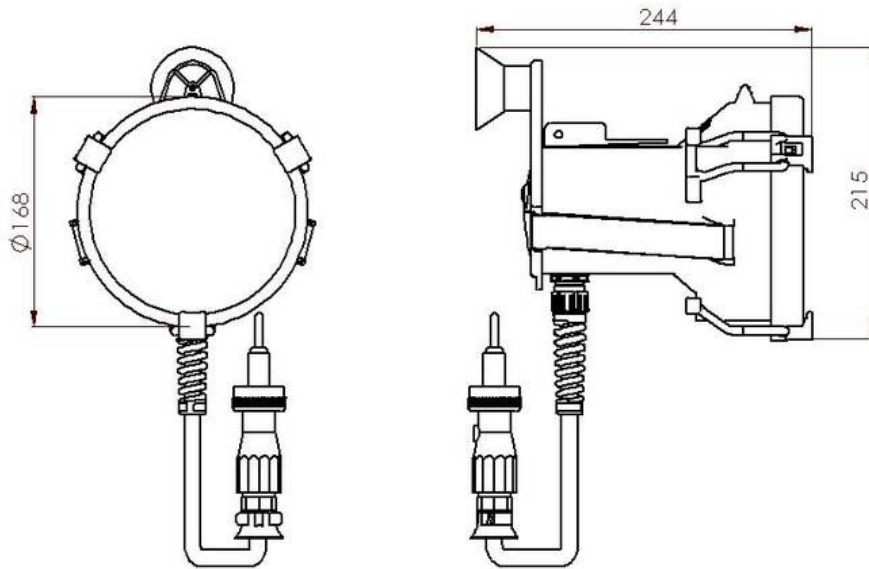
Your Contact:

WISKA Hoppmann GmbH

Kisdorfer Weg 28 · 24568 Kaltenkirchen · Germany

☎ +49-4191-508-0 · 📠 +49-4191-508-209

contact@wiska.de · www.wiska.com



Your Contact:

WISKA Hoppmann GmbH

Kisdorfer Weg 28 · 24568 Kaltenkirchen · Germany

☎ +49-4191-508-0 · 📠 +49-4191-508-209

contact@wiska.de · www.wiska.com