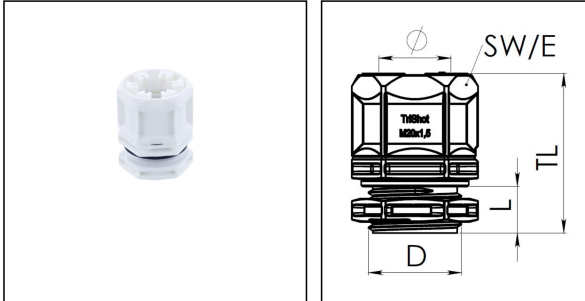


## TriShot™ ETKV-SET 20 WH

Cable gland, plastic, M20, RAL 9001, with locknut



Products may differ in size, colour and appearance to those shown. If you require further information or customisation, please contact us directly.

<b>Material cable gland</b>	Polypropylene, Polyamide
<b>Material sealing gasket</b>	TPE
<b>Protection class</b>	IP68 (1,0 bar 12 h)
<b>Temp. range min</b>	-40 °C
<b>Temp. range max</b>	100 °C
<b>Glow wire test</b>	750 °C
<b>Thread type</b>	M
<b>Ø Connection thread D</b>	20
<b>Lead</b>	1,5
<b>Length screw-in thread L</b>	10 mm
<b>Ø cable diameter min</b>	6 mm
<b>Ø cable diameter max</b>	14 mm
<b>Key width SW</b>	24 mm
<b>Collar diameter (E)</b>	27 mm
<b>Total length TL</b>	32 mm
<b>Equipment</b>	incl. locknut
<b>Product Color</b>	RAL 9001
<b>Type</b>	TriShot™ ETKV-SET 20 WH
<b>WISKA-Order no.</b>	10112913
<b>Packing unit</b>	50
<b>EAN number</b>	4007686305159
<b>Tariff number</b>	39269097
<b>ETIM-Classification</b>	EC000441

Your Contact:

WISKA Hoppmann GmbH

Kisdorfer Weg 28 · 24568 Kaltenkirchen · Germany

☎ +49-4191-508-0 · 📠 +49-4191-508-209

contact@wiska.de · www.wiska.com

12.05.2026

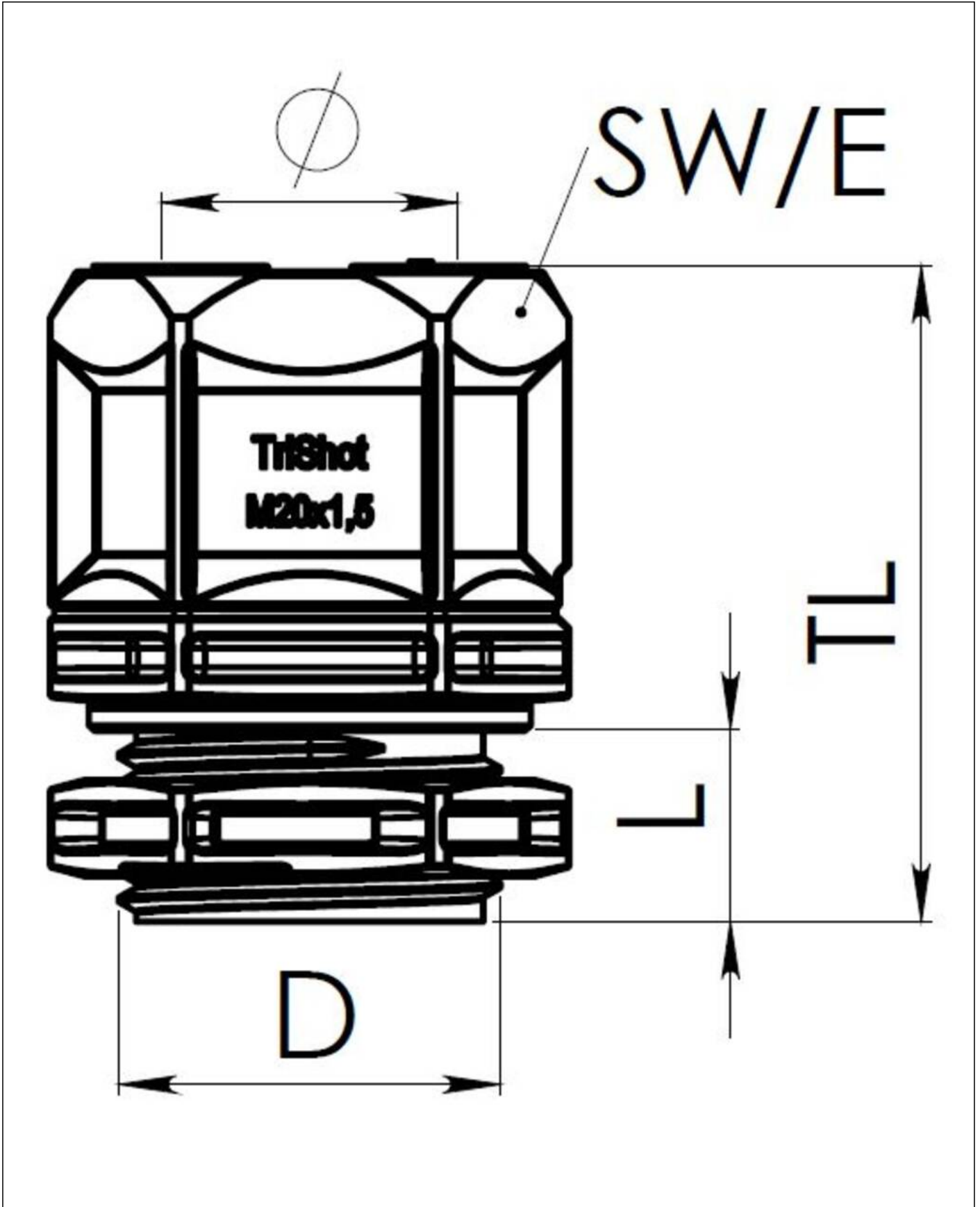
Your Contact:

**WISKA Hoppmann GmbH**

Kisdorfer Weg 28 · 24568 Kaltenkirchen · Germany

☎ +49-4191-508-0 · 📠 +49-4191-508-209

contact@wiska.de · www.wiska.com



Your Contact:

WISKA Hoppmann GmbH

Kisdorfer Weg 28 · 24568 Kaltenkirchen · Germany

☎ +49-4191-508-0 · 📠 +49-4191-508-209

contact@wiska.de · www.wiska.com