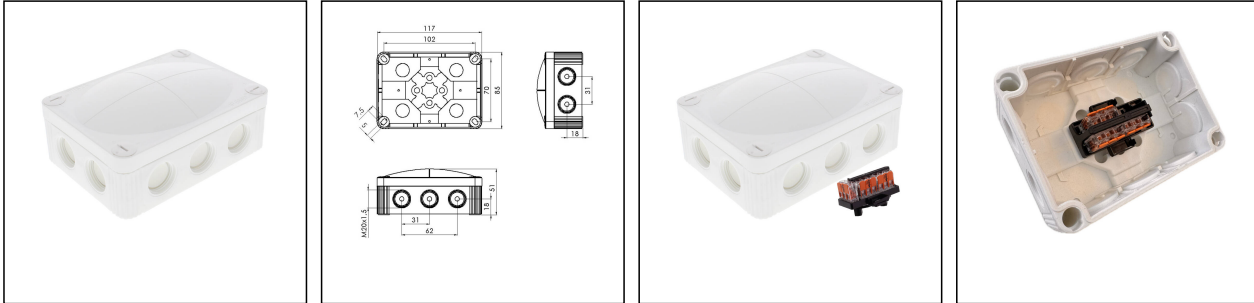



COMBI 310 WH / 3-221-413

Junction box 116x85x51mm, polypropylene, RAL 9001, with terminal block WAGO



Products may differ in size, colour and appearance to those shown. If you require further information or customisation, please contact us directly.



Material	Polypropylene
Material sealing gasket	TPE
Temp. range min	-30 °C
Temp. range max	100 °C
Temperatures during install.	-5 °C - 60 °C
Protection class	IP66 / IP67
Glow wire test	750 °C
Voltage	400 V
Rated cross section	4 mm ²
Fixing	4 internal openings
Ø cable diameter min	3 mm
Ø cable diameter max	12 mm
External dimensions LxWxH	117 x 85 x 51mm
Type of cable gland	M 20 x 1,5
Using for cable gland	
Product Color	RAL 9001
WISKA-Order no.	10113412
Type	COMBI 310 WH / 3-221-413
Packing unit	5
ETIM-Classification	EC002600
EAN number	4007686314922
Tariff number	39269097

Remarks:

IP66: using the membrane entry

Your Contact:

WISKA Hoppmann GmbH
Kisdorfer Weg 28 · 24568 Kaltenkirchen · Germany
☎ +49-4191-508-0 · 📠 +49-4191-508-209
contact@wiska.de · www.wiska.com

IP67: using the threaded entry together with ESKV cable gland

Equipment:

- 10 M20 threaded membrane entries
- 4 captive cover screws
- including terminal carrier on quick mounting plate mounted with 3x WAGO 221-413

Fixing:

- 4 internal openings outside of the sealing area

22.05.2026

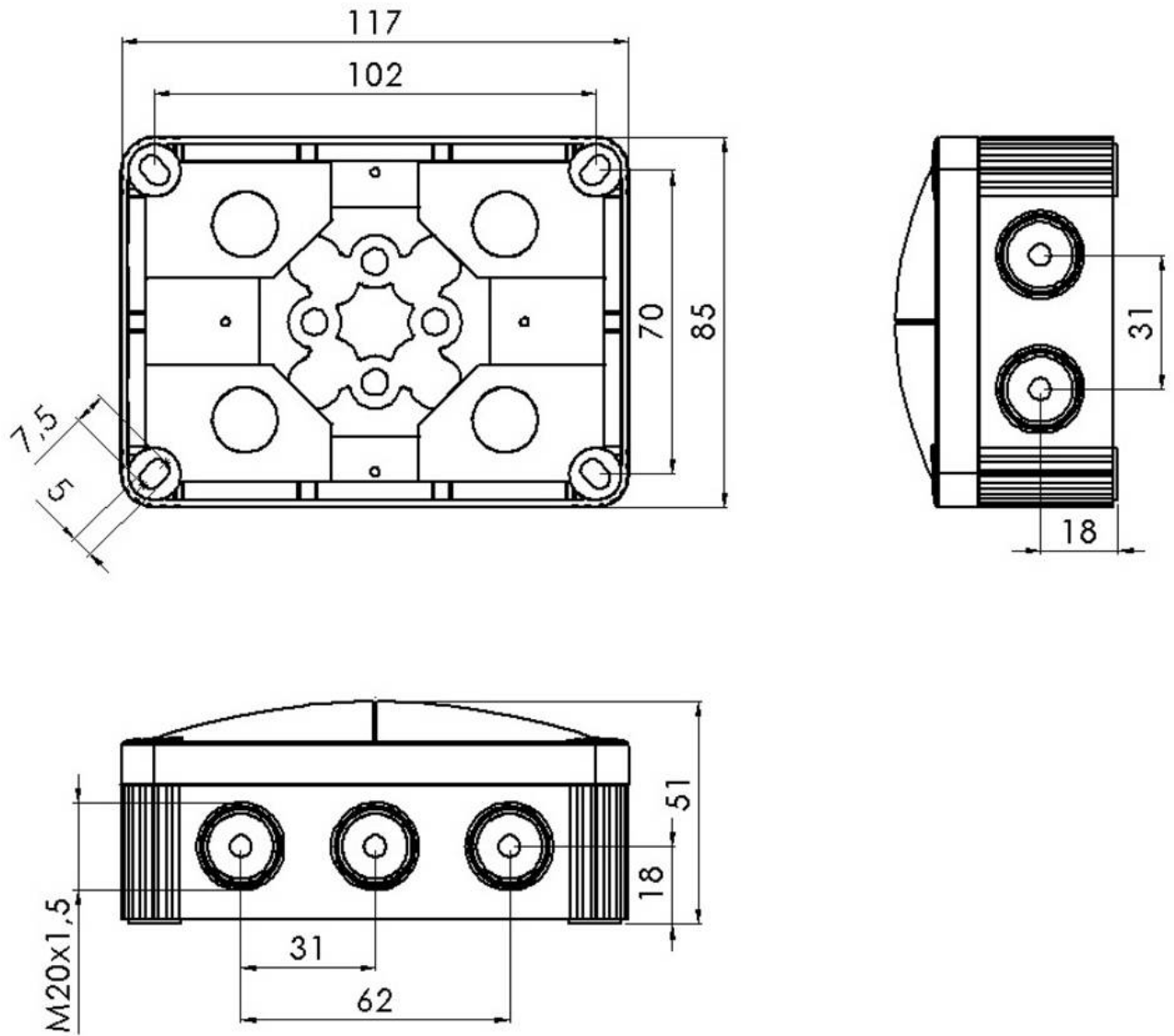
Your Contact:

WISKA Hoppmann GmbH

Kisdorfer Weg 28 · 24568 Kaltenkirchen · Germany

☎ +49-4191-508-0 · 📠 +49-4191-508-209

contact@wiska.de · www.wiska.com



Your Contact:

WISKA Hoppmann GmbH

Kisdorfer Weg 28 · 24568 Kaltenkirchen · Germany

☎ +49-4191-508-0 · 📠 +49-4191-508-209

contact@wiska.de · www.wiska.com