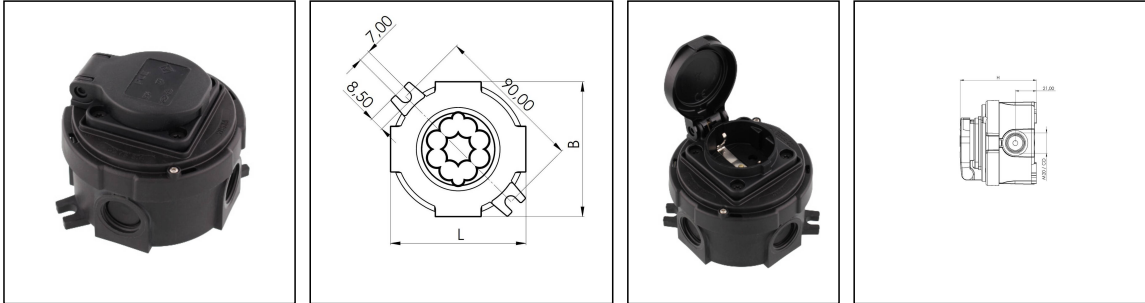


COMBI 304 SOCKET CEE7-3 BK

SCHUKO socket



Products may differ in size, colour and appearance to those shown. If you require further information or customisation, please contact us directly.

WISKA-Order no.	10113798
Type	COMBI 304 SOCKET CEE7-3 BK
Voltage max. (V)	250 V
Current	16 A
Protection class	IP66 / IP67
Material	Polypropylene
Type of cable gland	M 20 x 1,5
External dimensions LxWxH	Ø87x76mm
Socket insert	SCHUKO
Temp. range min	-30 °C
Temp. range max	55 °C
Colour	Black
Mounting	Surface mounting
Variations	on request

12.05.2026

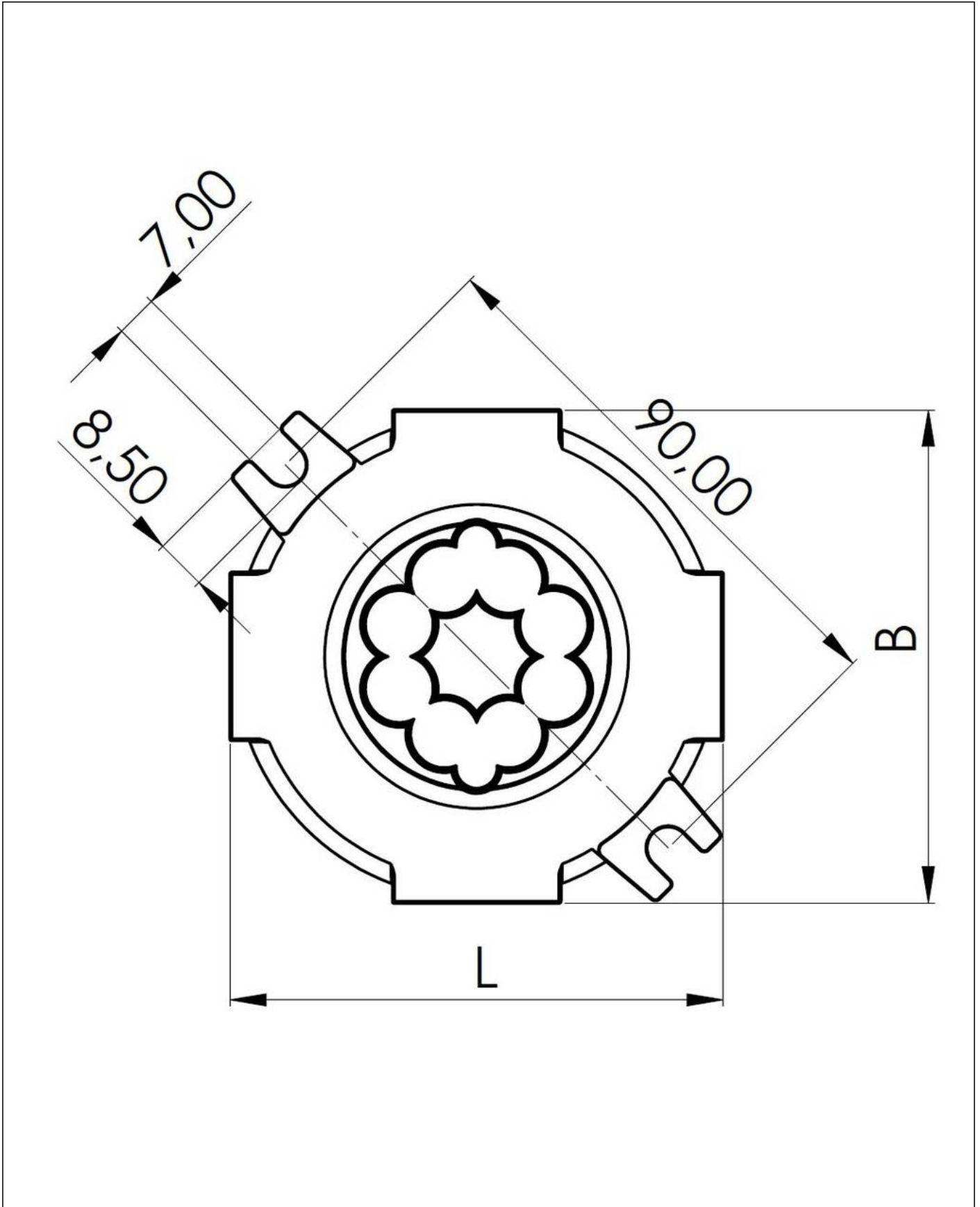
Your Contact:

WISKA Hoppmann GmbH

Kisdorfer Weg 28 · 24568 Kaltenkirchen · Germany

☎ +49-4191-508-0 · 📠 +49-4191-508-209

contact@wiska.de · www.wiska.com



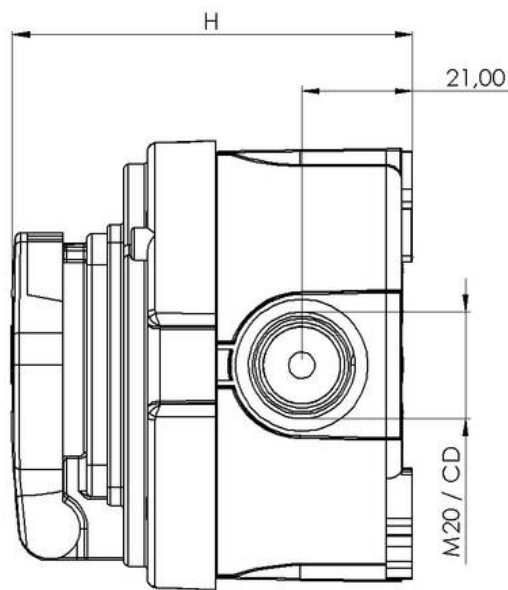
Your Contact:

WISKA Hoppmann GmbH

Kisdorfer Weg 28 · 24568 Kaltenkirchen · Germany

☎ +49-4191-508-0 · 📠 +49-4191-508-209

contact@wiska.de · www.wiska.com



Your Contact:

WISKA Hoppmann GmbH

Kisdorfer Weg 28 · 24568 Kaltenkirchen · Germany

☎ +49-4191-508-0 · 📠 +49-4191-508-209

contact@wiska.de · www.wiska.com