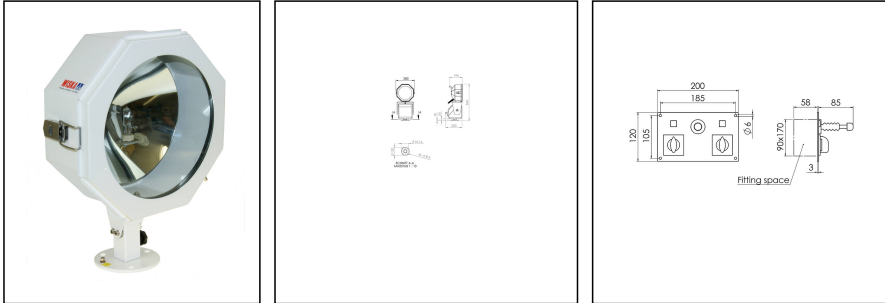


## SW200 -250-X(24)-P15-R06

Searchlight for halogen lamps Ø 200mm, 250W, 24V, glass reflector



Products may differ in size, colour and appearance to those shown. If you require further information or customisation, please contact us directly.

|                               |                          |
|-------------------------------|--------------------------|
| <b>WISKA-Order no.</b>        | 10113875                 |
| <b>Type</b>                   | SW200 -250-X(24)-P15-R06 |
| <b>P/T-Type</b>               | FL20/24VDC               |
| <b>Horizontal °/s</b>         | 5 °/sec                  |
| <b>Vertical °/s</b>           | 2,4 °/sec                |
| <b>Rotation horizontal</b>    | 330 °                    |
| <b>Rotation vertical</b>      | +50 ° / -70 °            |
| <b>Material</b>               | Stainless steel          |
| <b>Colour</b>                 | RAL 9016                 |
| <b>Surface</b>                | Powder coated            |
| <b>Wattage</b>                | 250 W                    |
| <b>Voltage max. (V)</b>       | 24 V                     |
| <b>Type of Voltage</b>        | DC                       |
| <b>Protection class</b>       | IP56                     |
| <b>Operational areas</b>      | Outdoor                  |
| <b>Reflector</b>              | Glass                    |
| <b>Focusing</b>               | fixed focus              |
| <b>Lightsource</b>            | Halogen lamp             |
| <b>Lightsource incl.</b>      | No                       |
| <b>Light performance</b>      | immediately              |
| <b>Range (1 lux)</b>          | 775 m                    |
| <b>Light intensity mio/cd</b> | 0,6                      |
| <b>Divergence</b>             | 7°/10                    |
| <b>Lampholder</b>             | G6,35                    |
| <b>Number of lampholder</b>   | 1 ST                     |

Your Contact:

**WISKA Hoppmann GmbH**

Kisdorfer Weg 28 · 24568 Kaltenkirchen · Germany

☎ +49-4191-508-0 · 📠 +49-4191-508-209

contact@wiska.de · www.wiska.com

|                             |                              |
|-----------------------------|------------------------------|
| <b>Temp. range min</b>      | -25 °C                       |
| <b>Temp. range max</b>      | 45 °C                        |
| <b>Control unit</b>         | RCU-E-24V                    |
| <b>Type of cable gland</b>  | ESVGS 20                     |
| <b>Material cable gland</b> | Polyamide                    |
| <b>Type of cable</b>        | non-armoured                 |
| <b>Power cable</b>          | H07RN-F 3x1,5mm <sup>2</sup> |
| <b>Ø cable diameter min</b> | 6 mm                         |
| <b>Ø cable diameter max</b> | 13 mm                        |
| <b>Globe colour</b>         | Clear                        |
| <b>Mounting</b>             | Upside                       |
| <b>Tariff number</b>        | 94054910                     |

Remarks:

SW200A: Searchlight for halogen lamp 24V, IP56, glass parabolic mirror 200mm

250W

Voltage: 24V AC

P15: pan and tilt unit FL20 24V DC

R06: remote control unit, recessed, RCU-E, 24V

Equipment:

- Toughened front glass
- Rubber sealing
- Quick fastening devices
- Connection cable 3m

12.05.2026

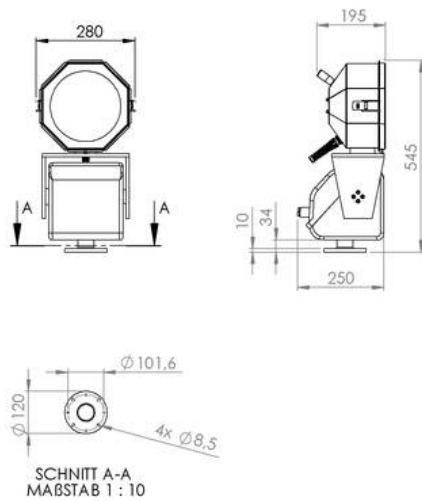
Your Contact:

**WISKA Hoppmann GmbH**

Kisdorfer Weg 28 · 24568 Kaltenkirchen · Germany

☎ +49-4191-508-0 · 📠 +49-4191-508-209

contact@wiska.de · www.wiska.com



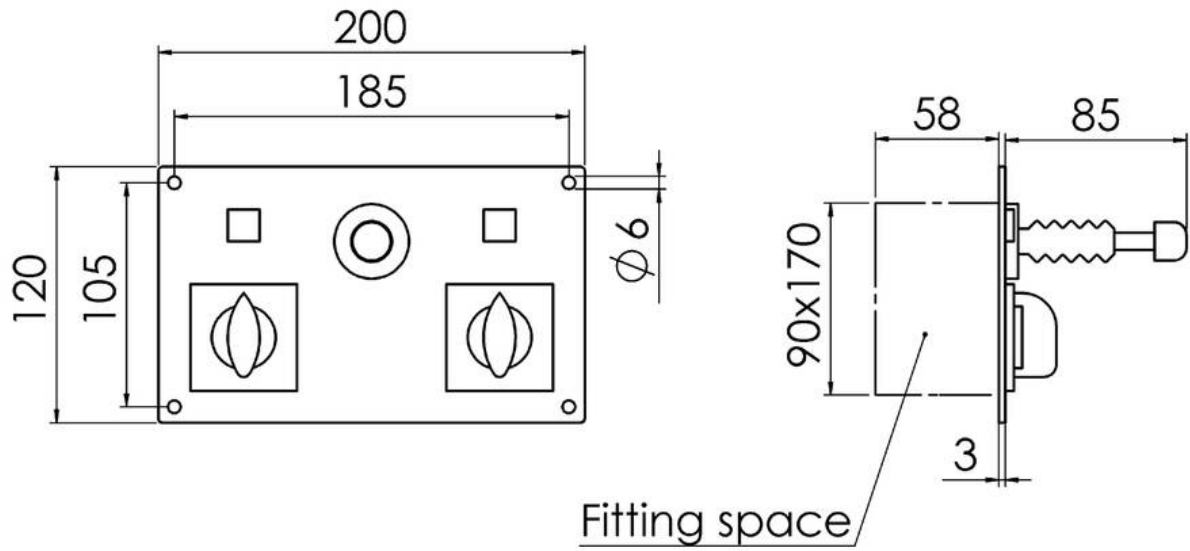
Your Contact:

**WISKA Hoppmann GmbH**

Kisdorfer Weg 28 · 24568 Kaltenkirchen · Germany

☎ +49-4191-508-0 · 📠 +49-4191-508-209

contact@wiska.de · www.wiska.com



Your Contact:

**WISKA Hoppmann GmbH**

Kisdorfer Weg 28 · 24568 Kaltenkirchen · Germany

☎ +49-4191-508-0 · 📠 +49-4191-508-209

✉ contact@wiska.de · www.wiska.com