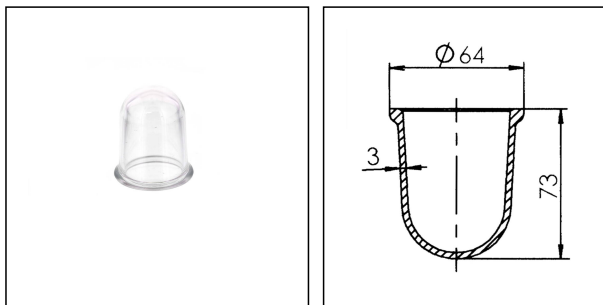


SP-1990/oT/clear

Glas globe for small standard light 1017



Products may differ in size, colour and appearance to those shown. If you require further information or customisation, please contact us directly.

Type	SP-1990/oT/clear
WISKA-Order no.	22000297
Packing unit	1
Material globe/diffuser	Glass
Globe colour	Clear
Equipment	without drope hole
Weight	0,15 kg
Tariff number	94059190

Remarks:

Cylindrically glass globe, clear

64 x 73mm

without drope hole

Suitable for: small standard fixtures 1017

23.05.2026

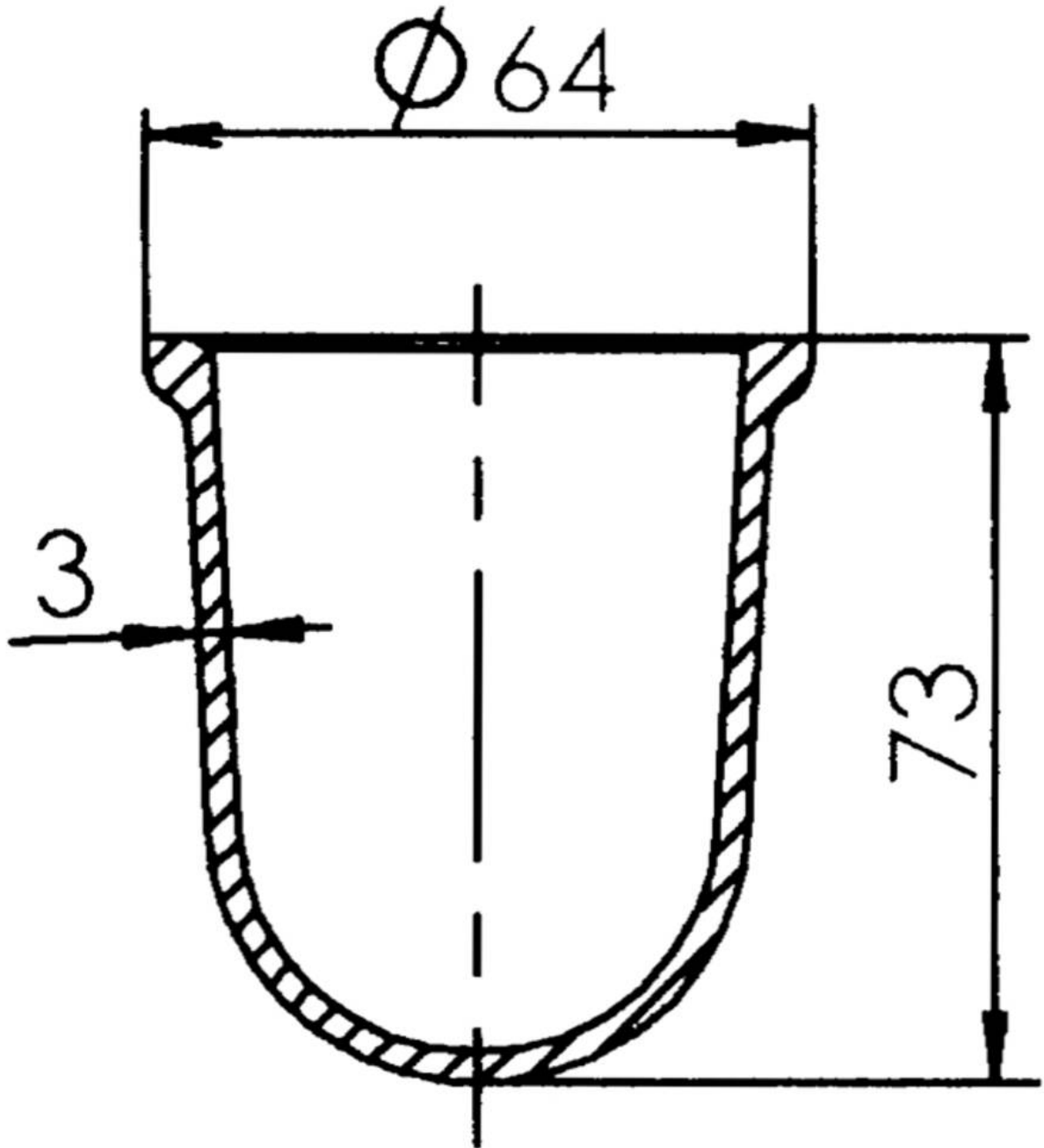
Your Contact:

WISKA Hoppmann GmbH

Kisdorfer Weg 28 · 24568 Kaltenkirchen · Germany

☎ +49-4191-508-0 · 📠 +49-4191-508-209

contact@wiska.de · www.wiska.com



Your Contact:

WISKA Hoppmann GmbH

Kisdorfer Weg 28 · 24568 Kaltenkirchen · Germany

☎ +49-4191-508-0 · 📠 +49-4191-508-209

contact@wiska.de · www.wiska.com