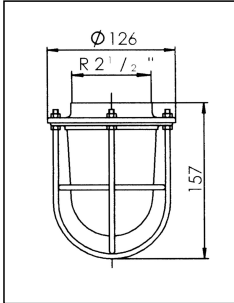


SP-1941 Flange glass globe and guard

Flange with glass and cast guard for 1031



Products may differ in size, colour and appearance to those shown. If you require further information or customisation, please contact us directly.

Type	SP-1941 Flange glass globe and guard
WISKA-Order no.	22000309
Packing unit	1
Material	Brass
Material guard	Brass
Material globe/diffuser	Glass
Globe colour	Clear
Weight	0,89 kg
Tariff number	94059190

Remarks:

Flange with glass globe, clear

Cast guard, brass

Suitable for: fixture 1031

23.05.2026

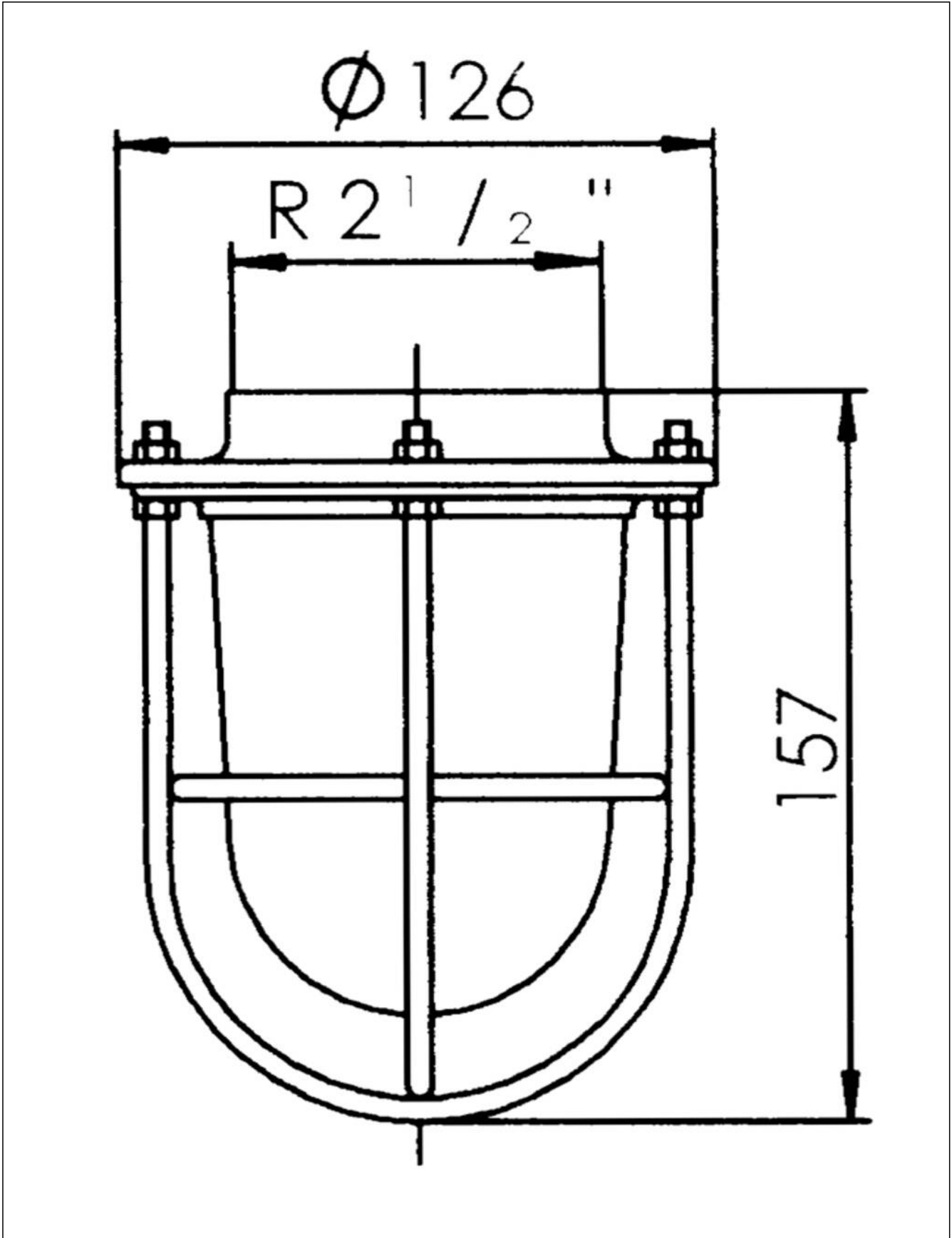
Your Contact:

WISKA Hoppmann GmbH

Kisdorfer Weg 28 · 24568 Kaltenkirchen · Germany

☎ +49-4191-508-0 · 📠 +49-4191-508-209

contact@wiska.de · www.wiska.com



Your Contact:

WISKA Hoppmann GmbH

Kisdorfer Weg 28 · 24568 Kaltenkirchen · Germany

☎ +49-4191-508-0 · 📠 +49-4191-508-209

contact@wiska.de · www.wiska.com