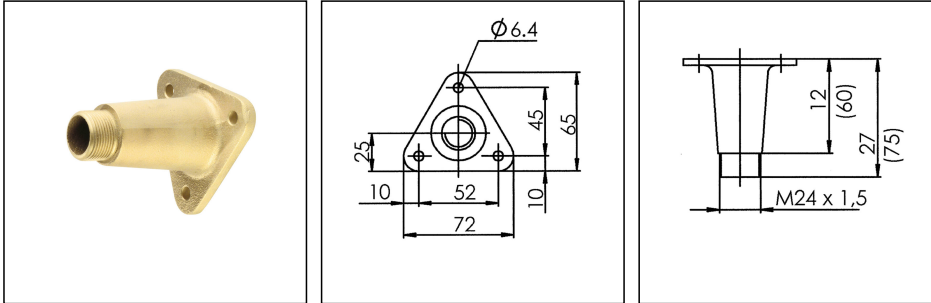


SP-1160 Wall bracket 60mm

Wallbracket for 1017 and 1131



Products may differ in size, colour and appearance to those shown. If you require further information or customisation, please contact us directly.

Type	SP-1160 Wall bracket 60mm
WISKA-Order no.	22000351
Packing unit	1
Material	Brass
Temp. range min	-25 °C
Temp. range max	45 °C
External dimensions LxWxH	75x72x65mm
Weight	0,3 kg
Tariff number	94059900

Remarks:

Triangular wall bracket
with gasket
Material: brass/red brass
Length: 60mm
Mounting hole: 3
for fixture 1017; 1131

23.05.2026

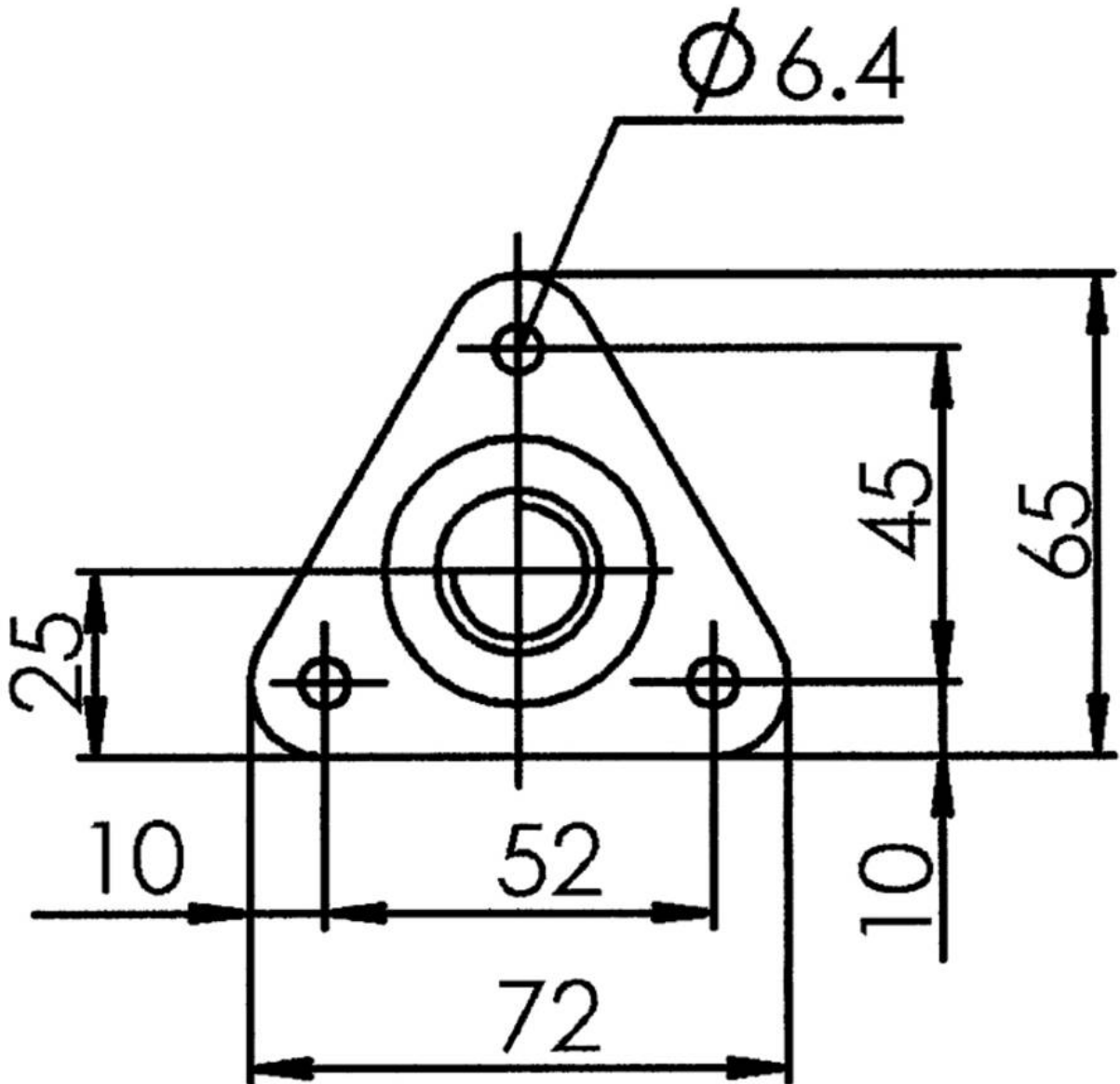
Your Contact:

WISKA Hoppmann GmbH

Kisdorfer Weg 28 · 24568 Kaltenkirchen · Germany

☎ +49-4191-508-0 · 📠 +49-4191-508-209

contact@wiska.de · www.wiska.com



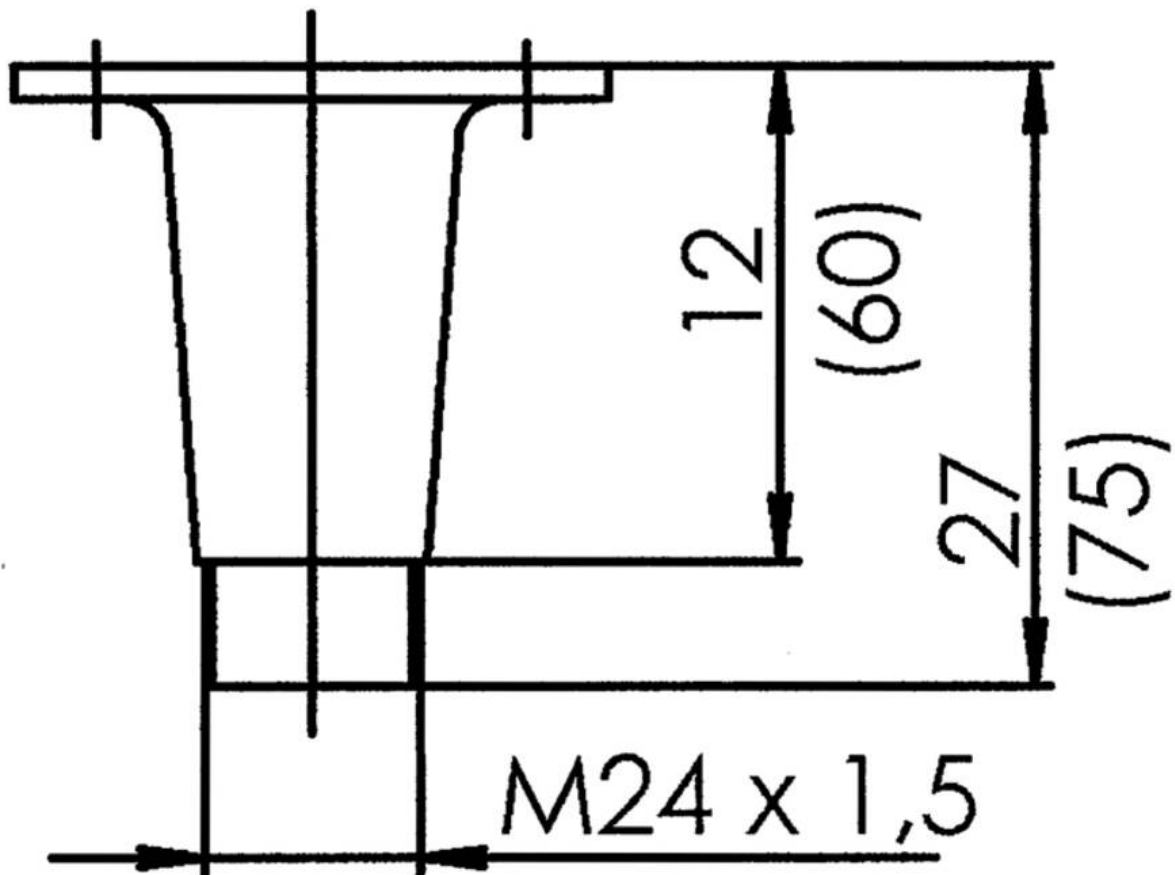
Your Contact:

WISKA Hoppmann GmbH

Kisdorfer Weg 28 · 24568 Kaltenkirchen · Germany

☎ +49-4191-508-0 · 📠 +49-4191-508-209

contact@wiska.de · www.wiska.com



Your Contact:

WISKA Hoppmann GmbH

Kisdorfer Weg 28 · 24568 Kaltenkirchen · Germany

☎ +49-4191-508-0 · 📠 +49-4191-508-209

contact@wiska.de · www.wiska.com