

SP-HML-ISO 35 Concentric socket DK 503

Concentric socket for HML-ISO 35



Products may differ in size, colour and appearance to those shown. If you require further information or customisation, please contact us directly.

Type	SP-HML-ISO 35 Concentric socket DK 503
WISKA-Order no.	22000464
Current	10 A
Voltage max. (V)	50 V
Type of Voltage	DC
Socket insert	concentric
Material	Polyamide
Temp. range min	-25 °C
Temp. range max	55 °C
Weight	0,17 kg
Tariff number	94054910

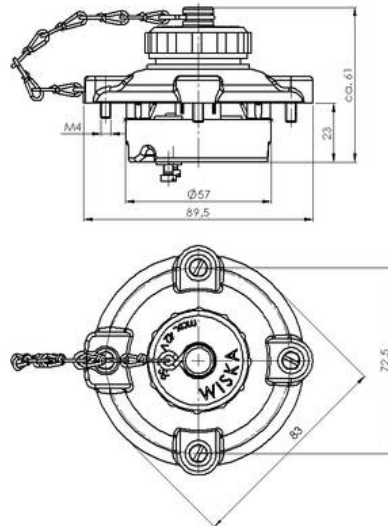
Remarks:

Concentric socket made of plastic
 flush-mounting
 Voltage: max. 42V
 Kind of current: DC
 Current intensity: 10A
 Material: polyamide
 Terminals/poles: 2-polig
 mounting depth: 35mm
 spare part for day signalling searchlight HML-ISO 35

23.05.2026

Your Contact:

WISKA Hoppmann GmbH
 Kisdorfer Weg 28 · 24568 Kaltenkirchen · Germany
 ☎ +49-4191-508-0 · 📠 +49-4191-508-209
 contact@wiska.de · www.wiska.com



Your Contact:

WISKA Hoppmann GmbH

Kisdorfer Weg 28 · 24568 Kaltenkirchen · Germany

☎ +49-4191-508-0 · 📠 +49-4191-508-209

contact@wiska.de · www.wiska.com