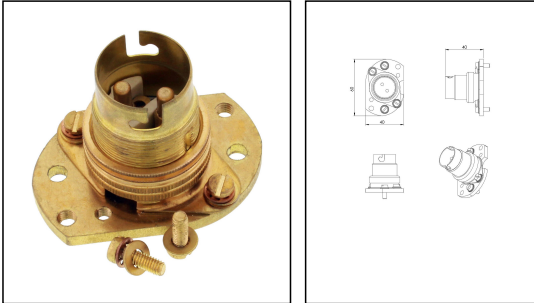


## SP-1975 Lampholder B22d, HNA

### 2-Mounting Feed Lampholder B22d



Products may differ in size, colour and appearance to those shown. If you require further information or customisation, please contact us directly.

<b>Type</b>	SP-1975 Lampholder B22d, HNA
<b>WISKA-Order no.</b>	22001038
<b>Packing unit</b>	1
<b>Lampholder</b>	B22d
<b>Material</b>	Brass
<b>Temp. range min</b>	-25 °C
<b>Temp. range max</b>	45 °C
<b>Weight</b>	0,04 kg
<b>Tariff number</b>	85366110

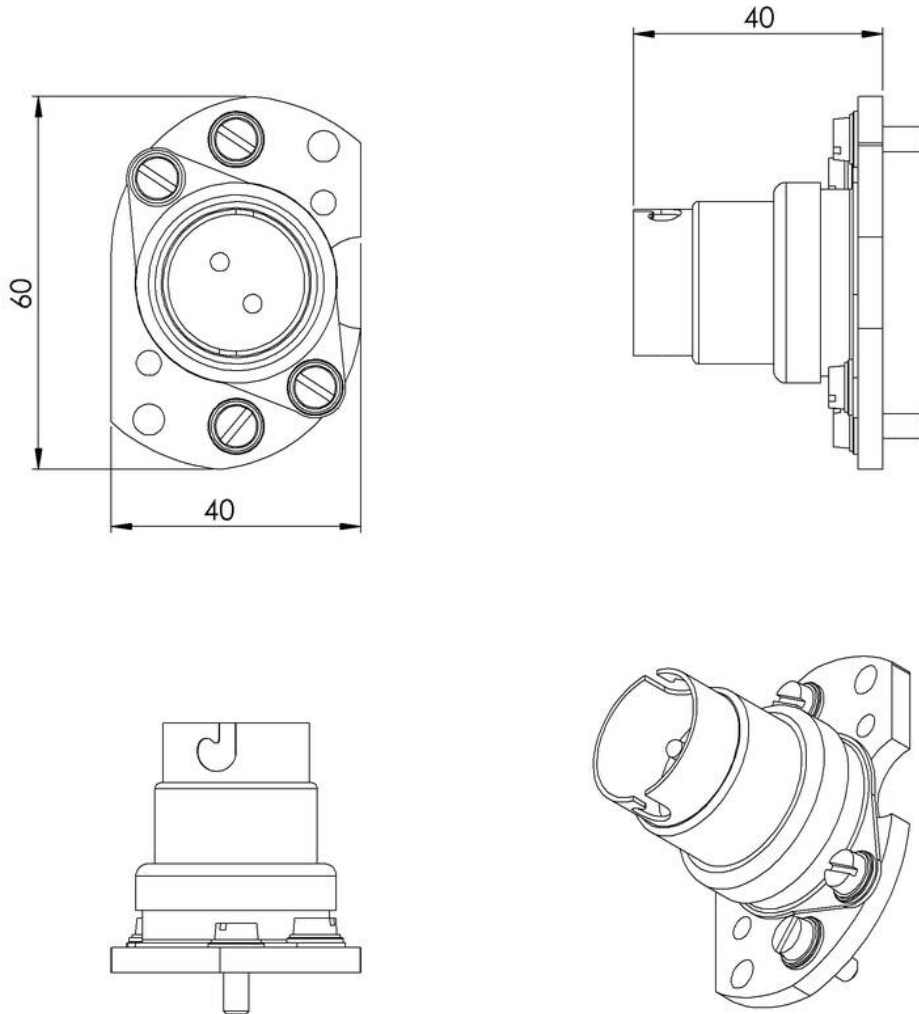
Remarks:

Material: Brass  
 Rated value: 250V/4A  
 ceramic insert  
 with two mounting feet  
 with suitable adapter, brass  
 and mounting kit  
 suitable for: 1131, 1026 and 533

27.06.2026

Your Contact:

**WISKA Hoppmann GmbH**  
 Kisdorfer Weg 28 · 24568 Kaltenkirchen · Germany  
 ☎ +49-4191-508-0 · 📠 +49-4191-508-209  
 contact@wiska.de · www.wiska.com



Your Contact:

**WISKA Hoppmann GmbH**

Kisdorfer Weg 28 · 24568 Kaltenkirchen · Germany

☎ +49-4191-508-0 · 📠 +49-4191-508-209

contact@wiska.de · www.wiska.com