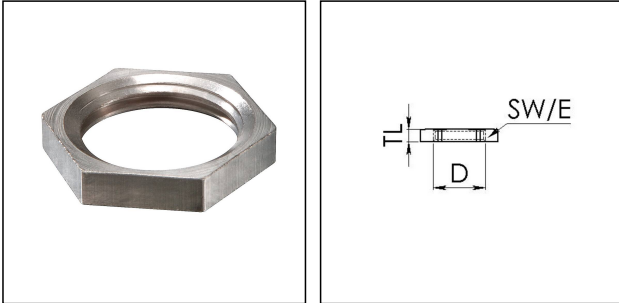


GM 72/Ni

Locknut, brass nickel-plated, according to DIN 89280, M72



Products may differ in size, colour and appearance to those shown. If you require further information or customisation, please contact us directly.



| | |
|--------------------------------|---------------------|
| Material | Brass nickel-plated |
| Temp. range min | -150 °C |
| Temp. range max | 250 °C |
| Thread type | M |
| Ø Connection thread D | 72 |
| Lead | 2 |
| Key width SW | 85 mm |
| Collar diameter (E) | 92 mm |
| Total length TL | 10 mm |
| Advice | ** Octagonal |
| Surface | Nickel-plated |
| Order no. nickel-plated | 30070555 |
| Type | GM 72/Ni |
| Packing unit | 1 |
| ETIM-Classification | EC000940 |

23.05.2026

Your Contact:

WISKA Hoppmann GmbH

Kisdorfer Weg 28 · 24568 Kaltenkirchen · Germany

☎ +49-4191-508-0 · 📠 +49-4191-508-209

contact@wiska.de · www.wiska.com



Your Contact:

WISKA Hoppmann GmbH

Kisdorfer Weg 28 · 24568 Kaltenkirchen · Germany

☎ +49-4191-508-0 · 📠 +49-4191-508-209

contact@wiska.de · www.wiska.com