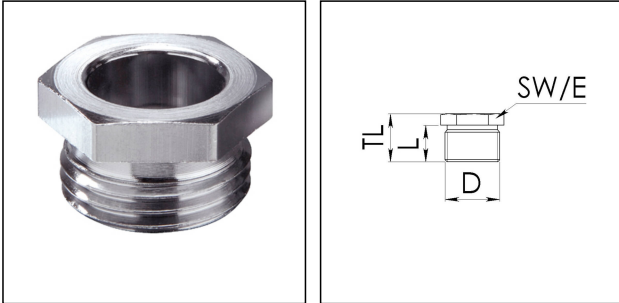


SBK 56/Cr

Bush, brass chromed-plated, M56



Products may differ in size, colour and appearance to those shown. If you require further information or customisation, please contact us directly.



Material	Brass chromium-plated
Temp. range min	-150 °C
Temp. range max	250 °C
Thread type	M
Ø Connection thread D	56
Lead	2
Length screw-in thread L	12 mm
Key width SW	55 mm
Collar diameter (E)	63 mm
Total length TL	20 mm
Surface	Chromium-plated
Order no. chrome-plated	30071601
Type	SBK 56/Cr
Packing unit	1
ETIM-Classification	EC000814

26.06.2026

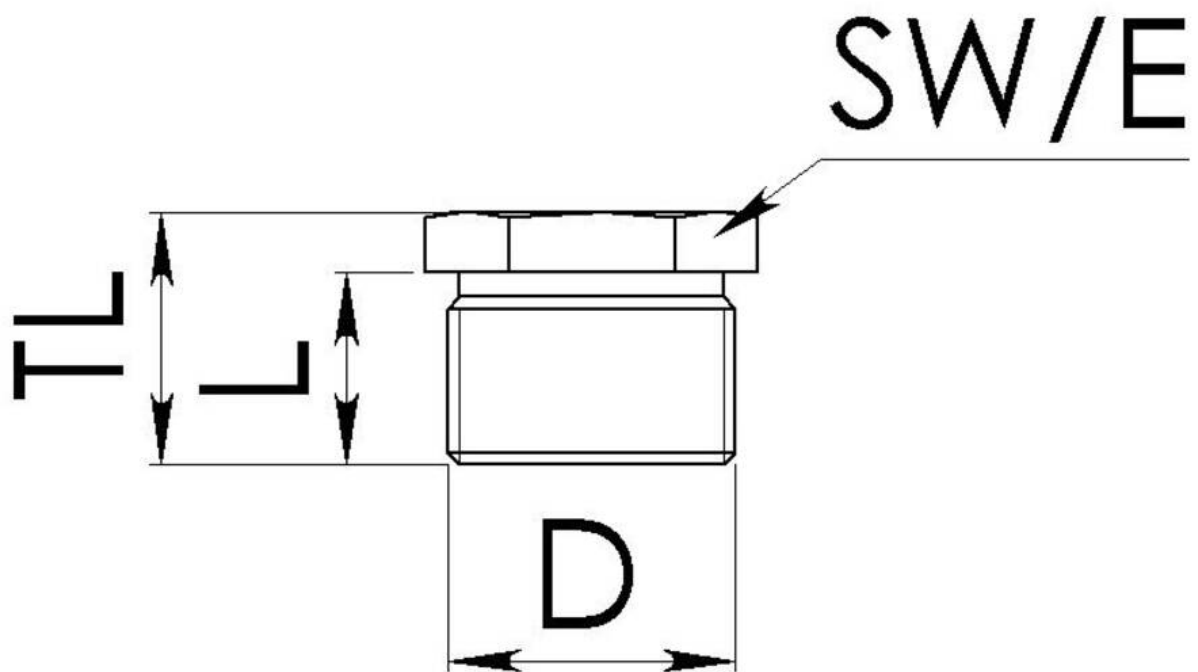
Your Contact:

WISKA Hoppmann GmbH

Kisdorfer Weg 28 · 24568 Kaltenkirchen · Germany

☎ +49-4191-508-0 · 📠 +49-4191-508-209

contact@wiska.de · www.wiska.com



Your Contact:

WISKA Hoppmann GmbH

Kisdorfer Weg 28 · 24568 Kaltenkirchen · Germany

☎ +49-4191-508-0 · 📠 +49-4191-508-209

contact@wiska.de · www.wiska.com