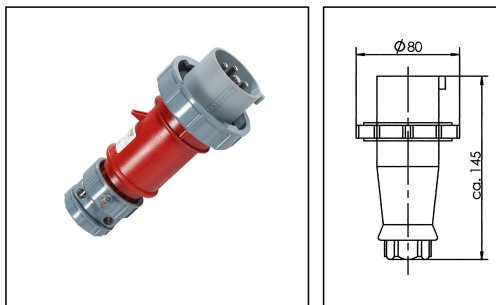


PL-16A-FS-500V-4P-3H-IP67-K02

CEE plug 16A 500V 3h, plastic, IP67



Products may differ in size, colour and appearance to those shown. If you require further information or customisation, please contact us directly.

WISKA-Order no.	50010755
Type	PL-16A-FS-500V-4P-3H-IP67-K02
Material	Plastic
Current	16 A
Voltage max. (V)	500 V
Protection class	IP67
Temp. range min	-25 °C
Temp. range max	45 °C
plug insert	CEE
Clock face position	3h
Terminals/poles	3-pole + E
Ø cable diameter max	16 mm
Weight	0,2 kg
Variations	on request
Tariff number	85366990

Remarks:

Contact: contact carrier highly heat resistant, contacts nickel-plated

12.05.2026

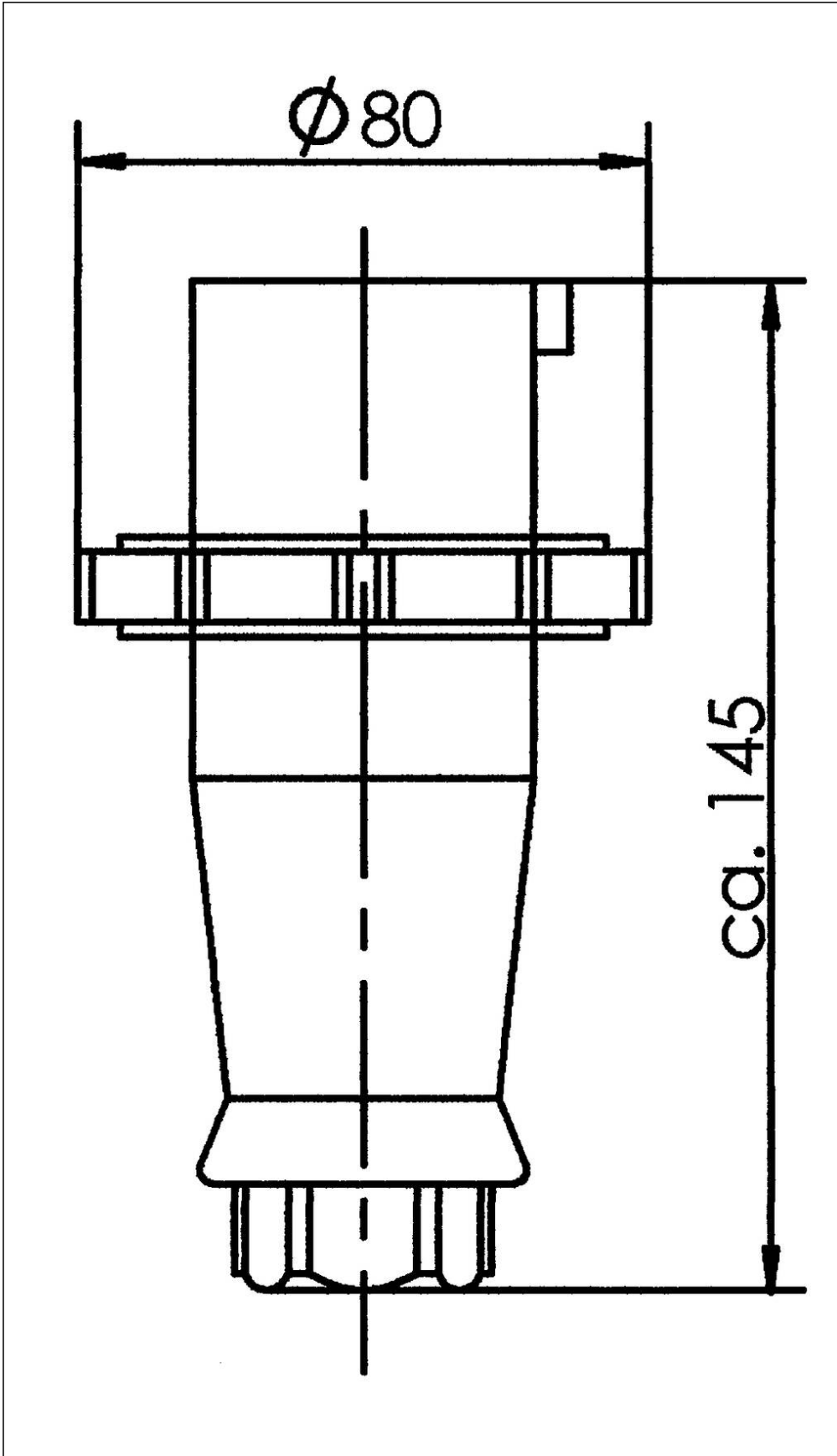
Your Contact:

WISKA Hoppmann GmbH

Kisdorfer Weg 28 · 24568 Kaltenkirchen · Germany

☎ +49-4191-508-0 · 📠 +49-4191-508-209

contact@wiska.de · www.wiska.com



Your Contact:

WISKA Hoppmann GmbH

Kisdorfer Weg 28 · 24568 Kaltenkirchen · Germany

☎ +49-4191-508-0 · 📠 +49-4191-508-209

contact@wiska.de · www.wiska.com