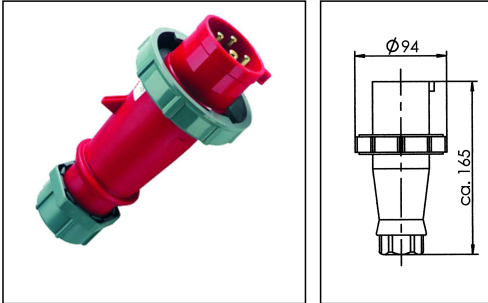


## PL-32A-FS-440V-4P-3H-IP67-K02-C01

CEE plug 32A 440V 3h, plastic, IP67



Products may differ in size, colour and appearance to those shown. If you require further information or customisation, please contact us directly.

<b>WISKA-Order no.</b>	50010767
<b>Type</b>	PL-32A-FS-440V-4P-3H-IP67-K02-C01
<b>Material</b>	Plastic
<b>Current</b>	32 A
<b>Voltage max. (V)</b>	440 V
<b>Protection class</b>	IP67
<b>Temp. range min</b>	-25 °C
<b>Temp. range max</b>	45 °C
<b>plug insert</b>	CEE
<b>Clock face position</b>	3h
<b>Terminals/poles</b>	3-pole + E
<b>Ø cable diameter max</b>	22 mm
<b>Weight</b>	0,31 kg
<b>Variations</b>	on request
<b>Tariff number</b>	85366990

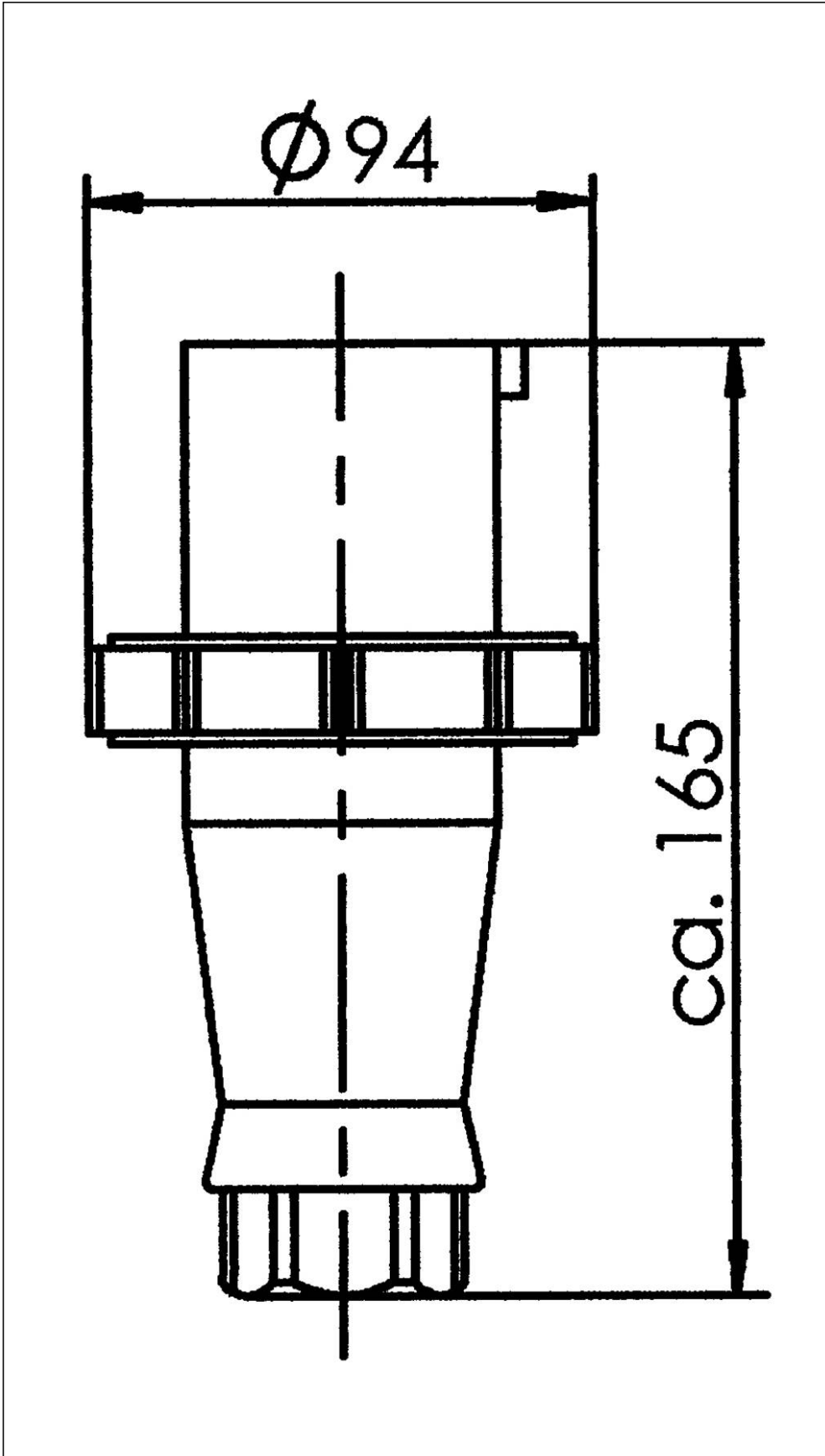
Remarks:

Contact: nickel plated contacts, highly  
heat resistant contact carrier  
Connection technology: Screw terminals

12.05.2026

Your Contact:

**WISKA Hoppmann GmbH**  
Kisdorfer Weg 28 · 24568 Kaltenkirchen · Germany  
☎ +49-4191-508-0 · 📠 +49-4191-508-209  
contact@wiska.de · www.wiska.com



Your Contact:

**WISKA Hoppmann GmbH**

Kisdorfer Weg 28 · 24568 Kaltenkirchen · Germany

☎ +49-4191-508-0 · 📠 +49-4191-508-209

contact@wiska.de · www.wiska.com