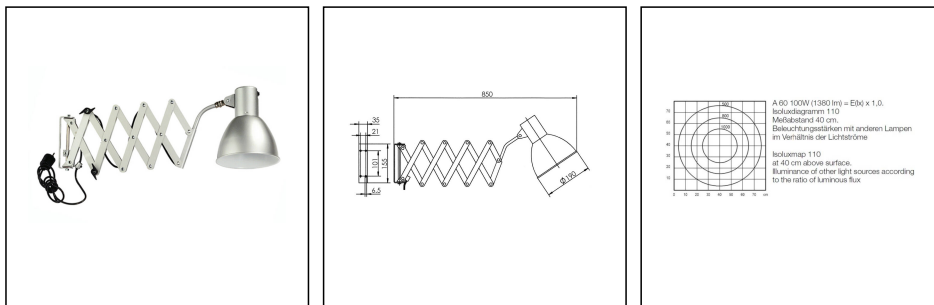


## SGL 100 / E27

Working place fixture with switch max. 100W 230V E27 IP20



Products may differ in size, colour and appearance to those shown. If you require further information or customisation, please contact us directly.

<b>WISKA-Order no.</b>	50012546
<b>Type</b>	SGL 100 / E27
<b>Wattage</b>	100 W
<b>Power^</b>	1 x 100 W
<b>Voltage</b>	230 V
<b>Type of Voltage</b>	AC
<b>Frequence</b>	50/60 Hz
<b>Protection class</b>	IP20
<b>Operational areas</b>	Indoor work space, Indoor accomodation
<b>Lampholder</b>	E27
<b>Number of lampholder</b>	1 ST
<b>Lightsource</b>	Incandescent lamp, variable
<b>Lightsource incl.</b>	No
<b>Bulb shape</b>	Rod shaped
<b>Weight</b>	1,71 kg
<b>Tariff number</b>	94051990

Remarks:

Working place fixtures

Wall mounting; total length 85cm

with switch

Material Housing: metall

Lamp: incandescent lamp up to 100W

(not included in delivery)

cable with plug

Your Contact:

**WISKA Hoppmann GmbH**

Kisdorfer Weg 28 · 24568 Kaltenkirchen · Germany

☎ +49-4191-508-0 · 📠 +49-4191-508-209

contact@wiska.de · www.wiska.com

12.05.2026

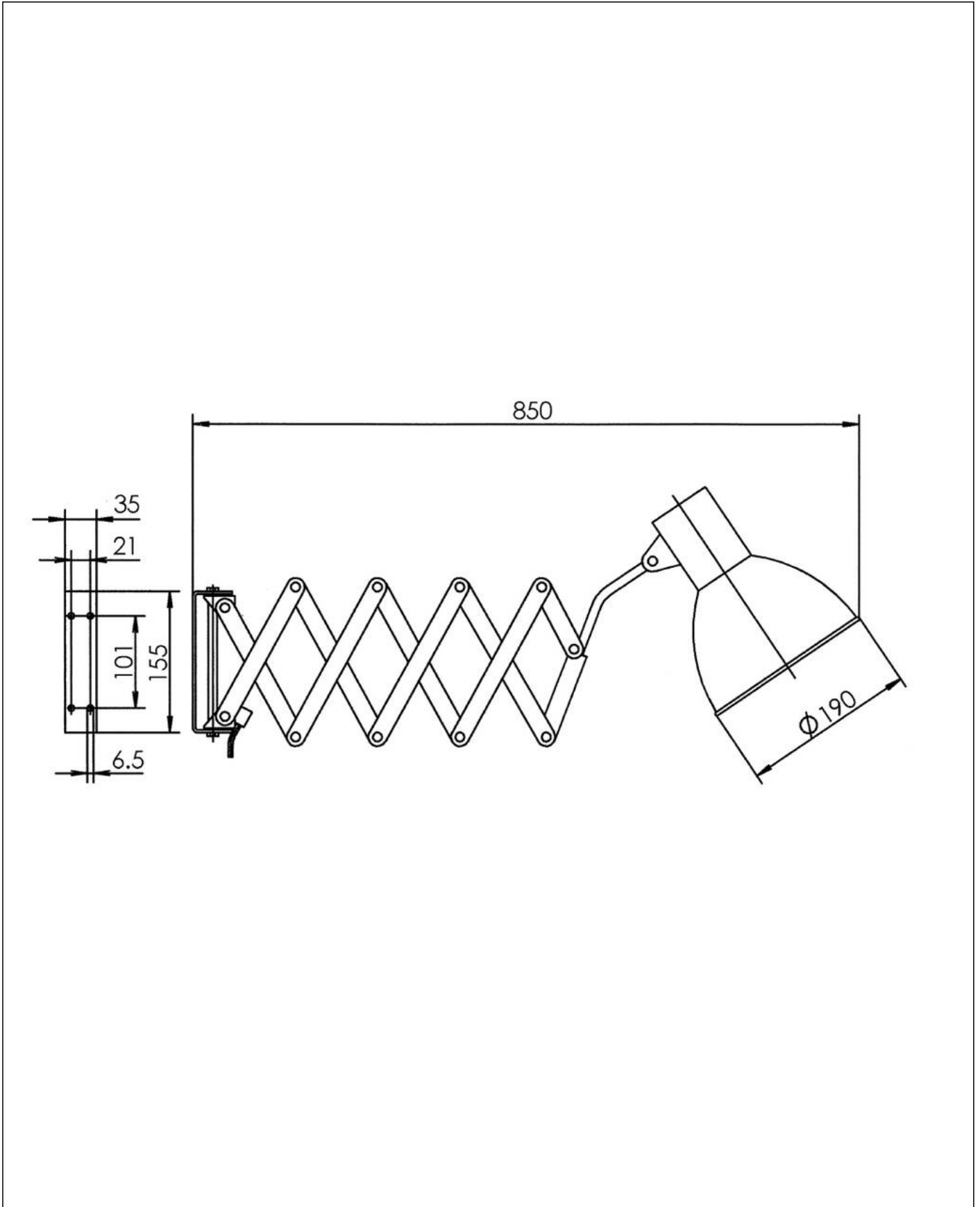
Your Contact:

**WISKA Hoppmann GmbH**

Kisdorfer Weg 28 · 24568 Kaltenkirchen · Germany

☎ +49-4191-508-0 · 📠 +49-4191-508-209

contact@wiska.de · www.wiska.com



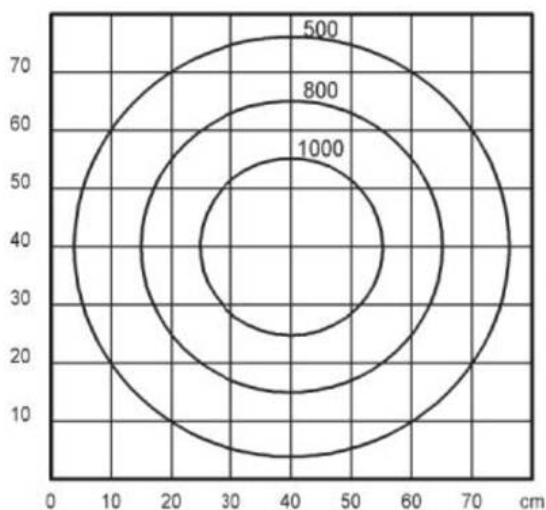
Your Contact:

**WISKA Hoppmann GmbH**

Kisdorfer Weg 28 · 24568 Kaltenkirchen · Germany

☎ +49-4191-508-0 · 📠 +49-4191-508-209

contact@wiska.de · www.wiska.com



A 60 100W (1380 lm) =  $E(lx) \times 1,0$ .

Isoluxdiagramm 110

Meßabstand 40 cm.

Beleuchtungsstärken mit anderen Lampen  
im Verhältnis der Lichtströme

Isoluxmap 110

at 40 cm above surface.

Illuminance of other light sources according  
to the ratio of luminous flux

Your Contact:

**WISKA Hoppmann GmbH**

Kisdorfer Weg 28 · 24568 Kaltenkirchen · Germany

☎ +49-4191-508-0 · 📠 +49-4191-508-209

contact@wiska.de · www.wiska.com