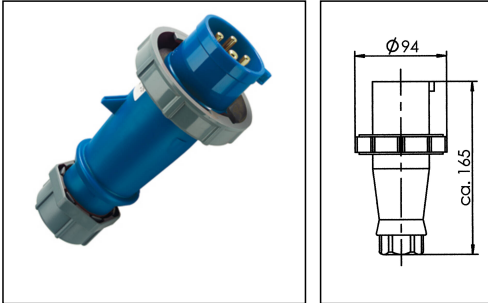


PL-32A-FS-230V-4P-9H-IP67-K03-C01

CEE plug 32A 230V 9h, plastic, IP67



Products may differ in size, colour and appearance to those shown. If you require further information or customisation, please contact us directly.

| | |
|-----------------------------|-----------------------------------|
| WISKA-Order no. | 50012938 |
| Type | PL-32A-FS-230V-4P-9H-IP67-K03-C01 |
| Material | Plastic |
| Current | 32 A |
| Voltage max. (V) | 230 V |
| Protection class | IP67 |
| Temp. range min | -25 °C |
| Temp. range max | 45 °C |
| plug insert | CEE |
| Clock face position | 9h |
| Terminals/poles | 3-pole + E |
| Ø cable diameter max | 22 mm |
| Weight | 0,25 kg |
| Variations | on request |
| Tariff number | 85366990 |

Remarks:

Contact: standard

Connection technology: Screw terminals

one-piece housing

gland with seal gasket

bend protection and strain relief

12.05.2026

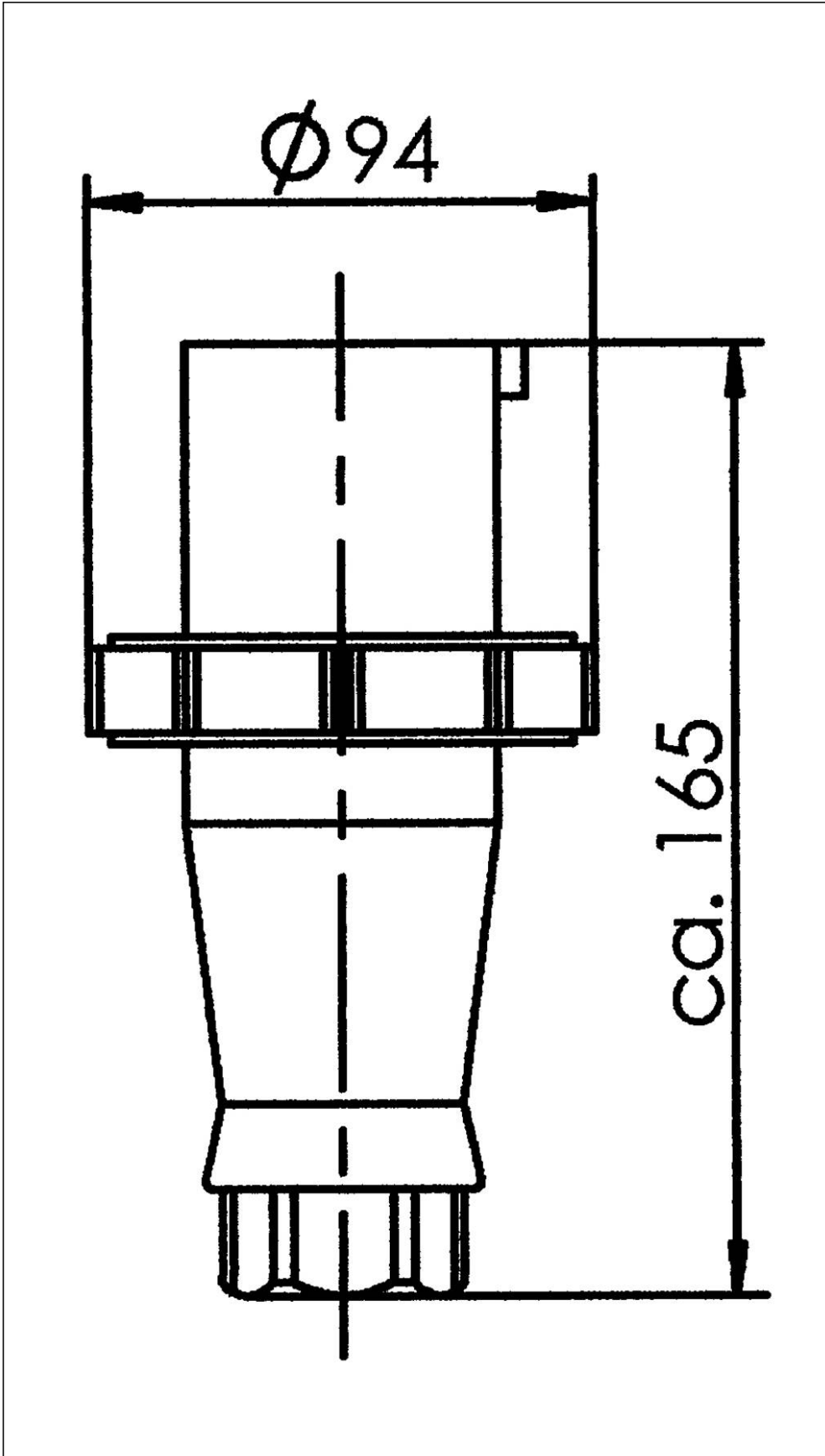
Your Contact:

WISKA Hoppmann GmbH

Kisdorfer Weg 28 · 24568 Kaltenkirchen · Germany

☎ +49-4191-508-0 · 📠 +49-4191-508-209

contact@wiska.de · www.wiska.com



Your Contact:

WISKA Hoppmann GmbH

Kisdorfer Weg 28 · 24568 Kaltenkirchen · Germany

☎ +49-4191-508-0 · 📠 +49-4191-508-209

contact@wiska.de · www.wiska.com