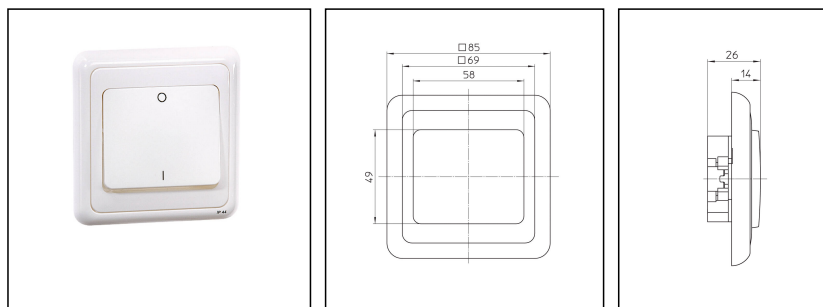


PH-RSF-16-1.2-WT

Rocker switches flush mounting, plastic, white, IP44



Products may differ in size, colour and appearance to those shown. If you require further information or customisation, please contact us directly.



WISKA-Order no.	50015708
Type	PH-RSF-16-1.2-WT
Voltage	250 V
Current	16 A
Protection class	IP44
Material	Urea moulding compound
Mounting	Recessed mounting
Type of switch	On-Off, 2-pole
Colour	Pure white, similar RAL 9010
Weight	0,11 kg
Tariff number	85365080

Recommended accessories

Switch box cavity wall, Kaiser 9061-00	50016285
---	----------

12.05.2026

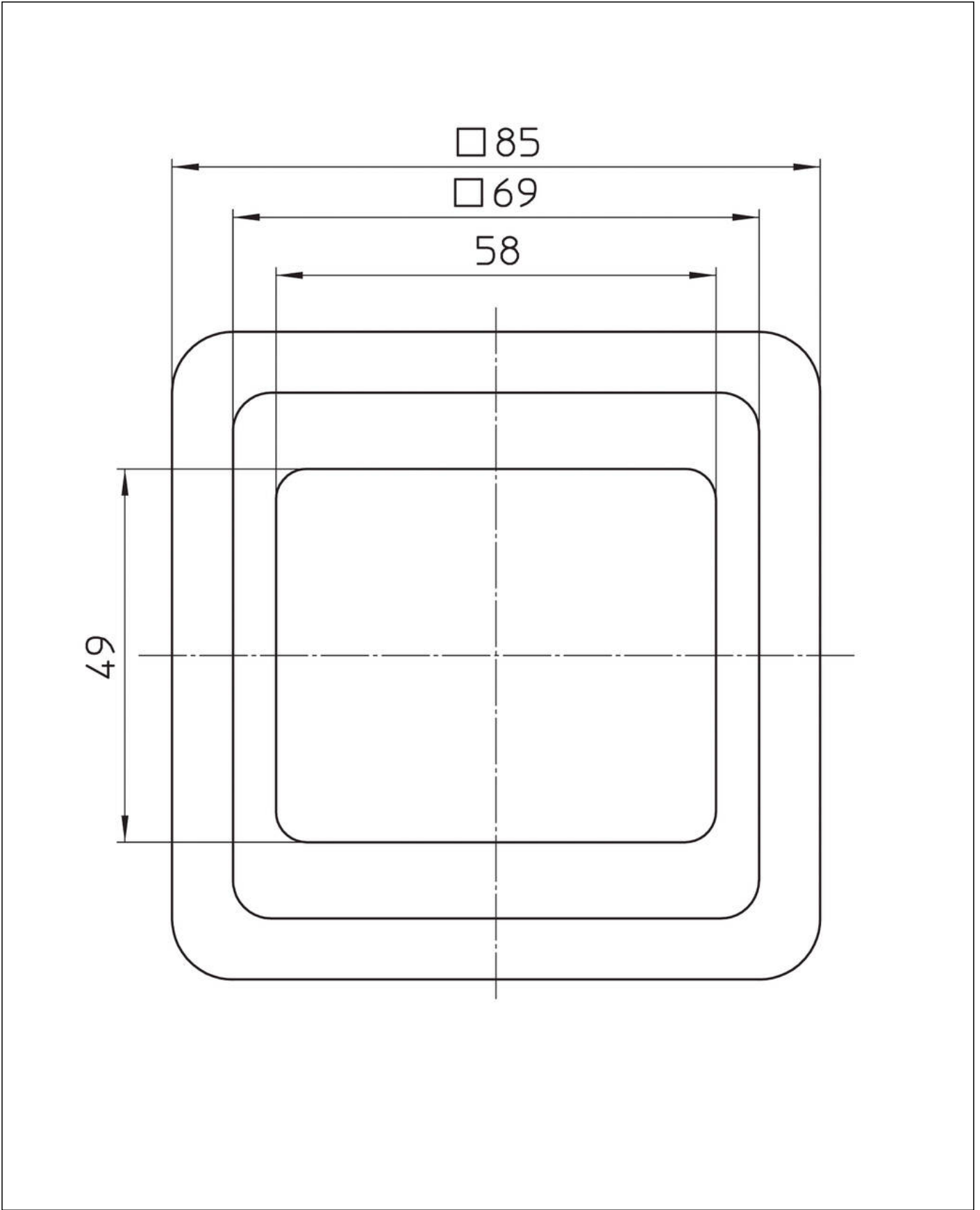
Your Contact:

WISKA Hoppmann GmbH

Kisdorfer Weg 28 · 24568 Kaltenkirchen · Germany

+49-4191-508-0 · +49-4191-508-209

contact@wiska.de · www.wiska.com



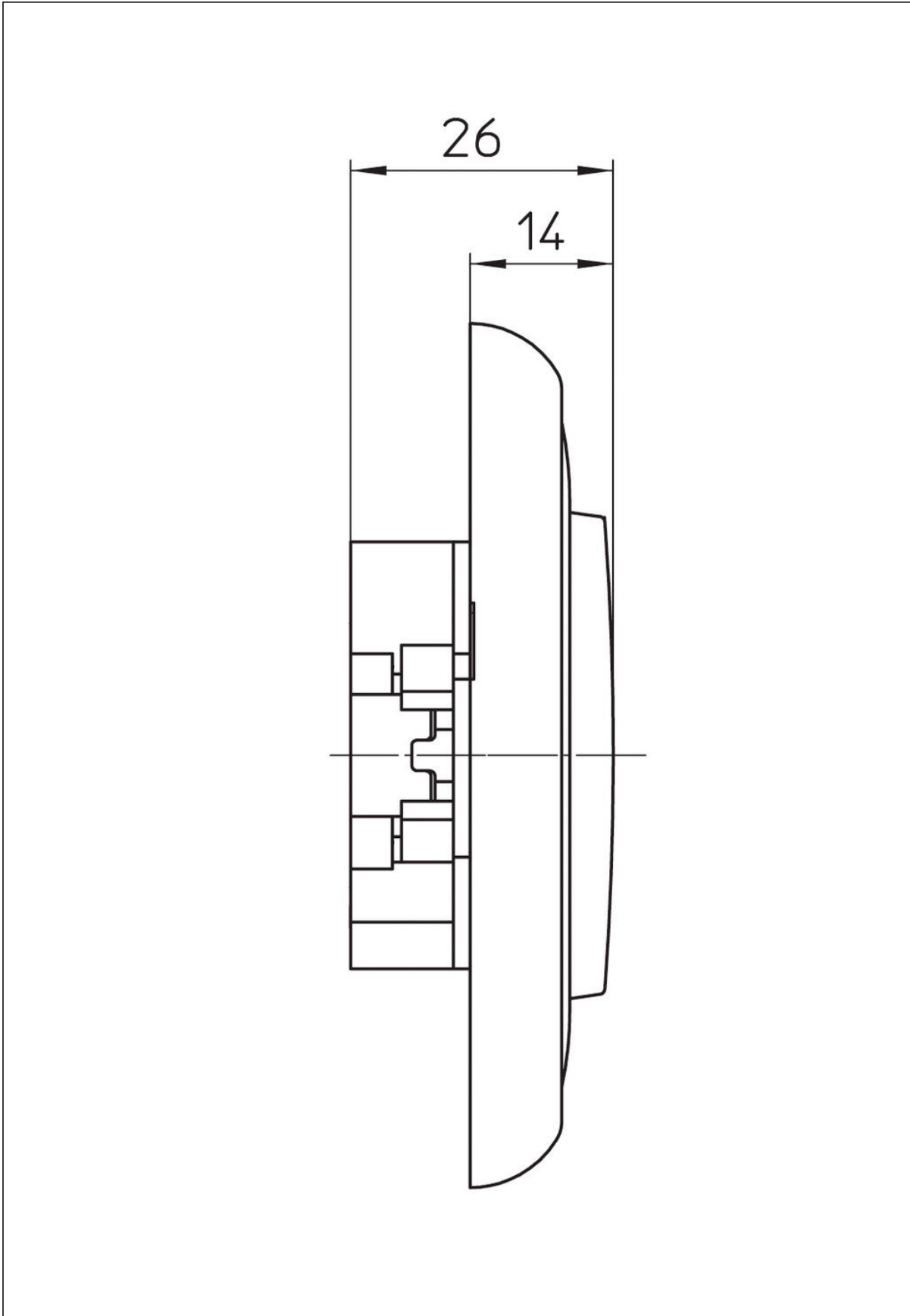
Your Contact:

WISKA Hoppmann GmbH

Kisdorfer Weg 28 · 24568 Kaltenkirchen · Germany

☎ +49-4191-508-0 · 📠 +49-4191-508-209

contact@wiska.de · www.wiska.com



Your Contact:

WISKA Hoppmann GmbH

Kisdorfer Weg 28 · 24568 Kaltenkirchen · Germany

☎ +49-4191-508-0 · 📠 +49-4191-508-209

contact@wiska.de · www.wiska.com