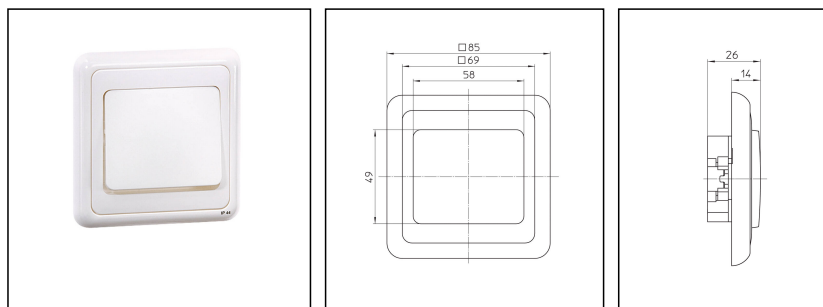


PH-RSF-10-6.2-WT

Rocker switches flush mounting, plastic, white, IP44



Products may differ in size, colour and appearance to those shown. If you require further information or customisation, please contact us directly.



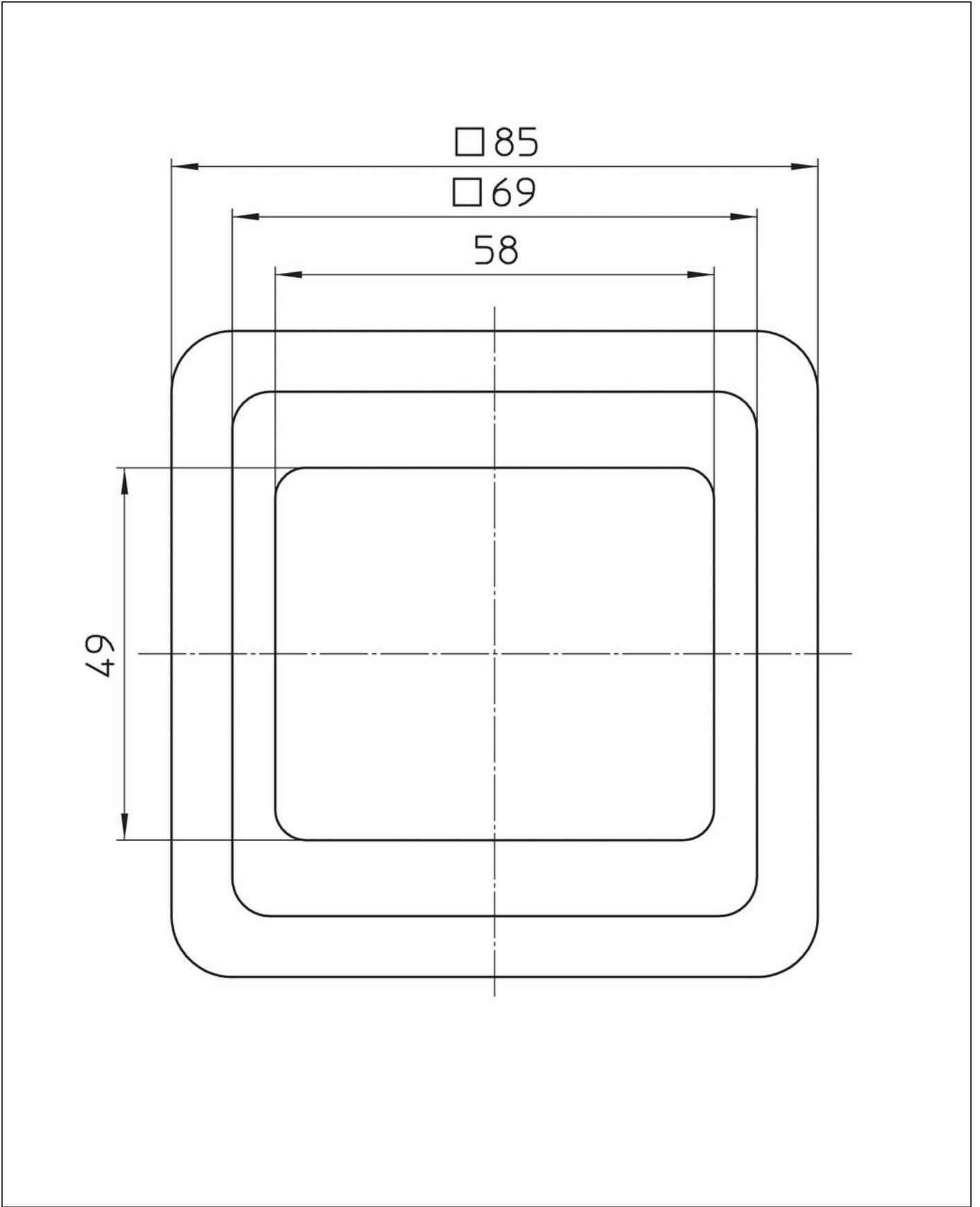
WISKA-Order no.	50015709
Type	PH-RSF-10-6.2-WT
Voltage	250 V
Current	10 A
Protection class	IP44
Material	Urea moulding compound
Mounting	Recessed mounting
Type of switch	Change-over, 2-pole
Colour	Pure white, similar RAL 9010
Weight	0,11 kg
Tariff number	85365080

Recommended accessories

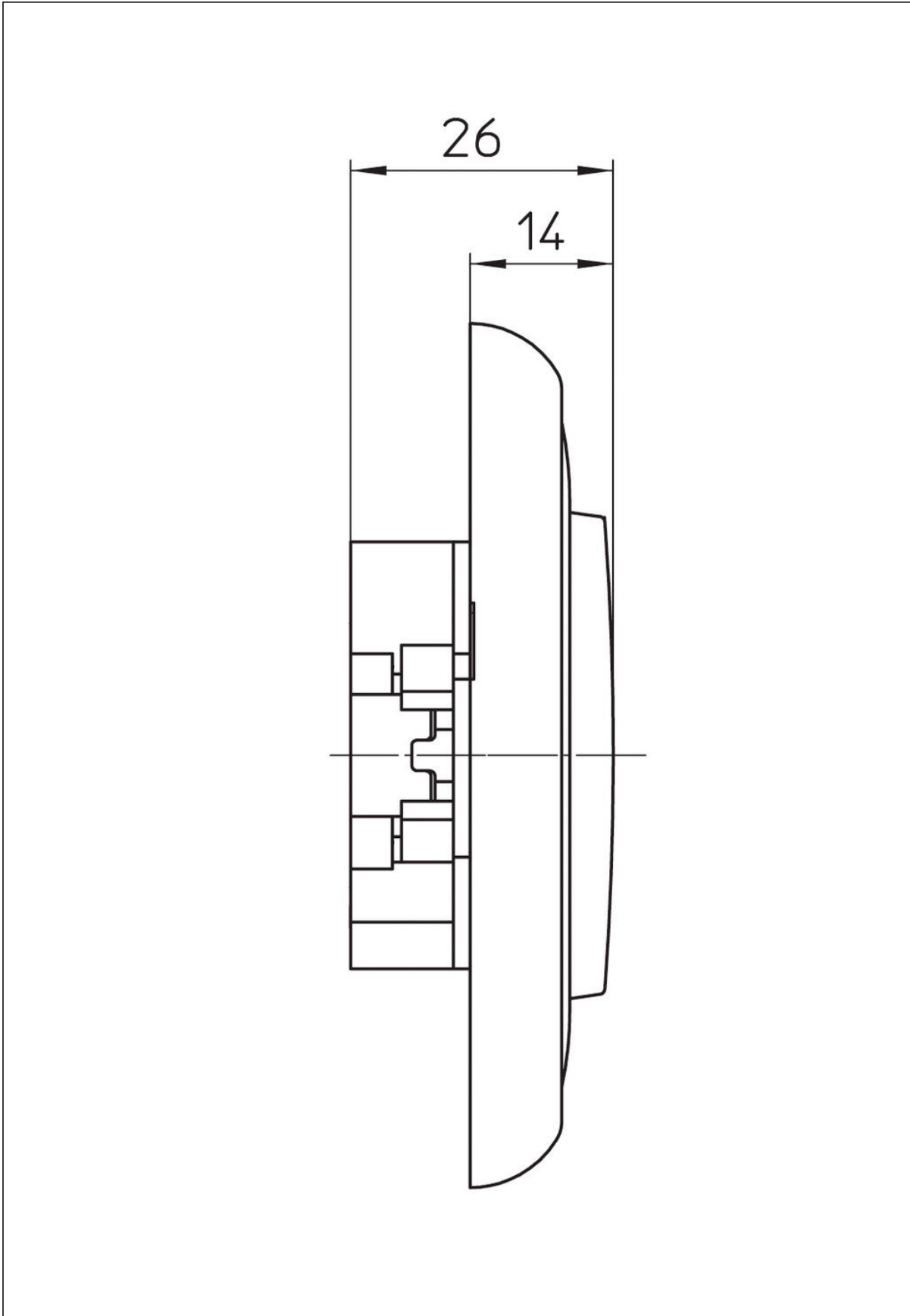
Switch box cavity wall, Kaiser 9061-00	50016285
---	----------

12.05.2026

Your Contact:
WISKA Hoppmann GmbH
 Kisdorfer Weg 28 · 24568 Kaltenkirchen · Germany
 ☎ +49-4191-508-0 · 📠 +49-4191-508-209
 contact@wiska.de · www.wiska.com



Your Contact:
WISKA Hoppmann GmbH
Kisdorfer Weg 28 · 24568 Kaltenkirchen · Germany
☎ +49-4191-508-0 · 📠 +49-4191-508-209
contact@wiska.de · www.wiska.com



Your Contact:

WISKA Hoppmann GmbH

Kisdorfer Weg 28 · 24568 Kaltenkirchen · Germany

☎ +49-4191-508-0 · 📠 +49-4191-508-209

contact@wiska.de · www.wiska.com