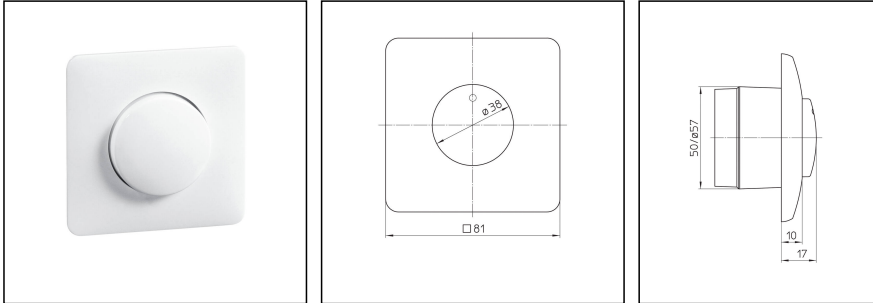


## PH-DIM 365W-60-NWT

Transistor dimmer 365W 230V 60Hz, plastic, white, IP20



Products may differ in size, colour and appearance to those shown. If you require further information or customisation, please contact us directly.



<b>WISKA-Order no.</b>	50015710
<b>Type</b>	PH-DIM 365W-60-NWT
<b>Voltage</b>	250 V
<b>Type of Voltage</b>	AC
<b>Current</b>	16 A
<b>Protection class</b>	IP20
<b>Material</b>	Urea moulding compound
<b>Mounting</b>	Recessed mounting
<b>Type of switch</b>	Change-over, 2-pole
<b>Colour</b>	Pure white, similar RAL 9010
<b>Tariff number</b>	85363010

Remarks:

Transistor dimmer with MOSFET inverse phase controlled dimmer, for low voltage halogen lamp with electronic transformers, filament lamps, high voltage halogen lamps and other ohmic loads, with 1 way/2 way push on/push off switch  
 230V, 60Hz, 365 Watt  
 Version with screw terminals without spreading, with standard cover  
 pure white for single mounting

**Recommended accessories**

<b>Switch box cavity wall, Kaiser 9061-00</b>	50016285
---	----------

**Spare parts**

<b>PH D 80.671.02 Frame 1-gang</b>	50101281
------------------------------------	----------

Your Contact:

**WISKA Hoppmann GmbH**  
 Kisdorfer Weg 28 · 24568 Kaltenkirchen · Germany  
 ☎ +49-4191-508-0 · 📠 +49-4191-508-209  
 contact@wiska.de · www.wiska.com

23.05.2026

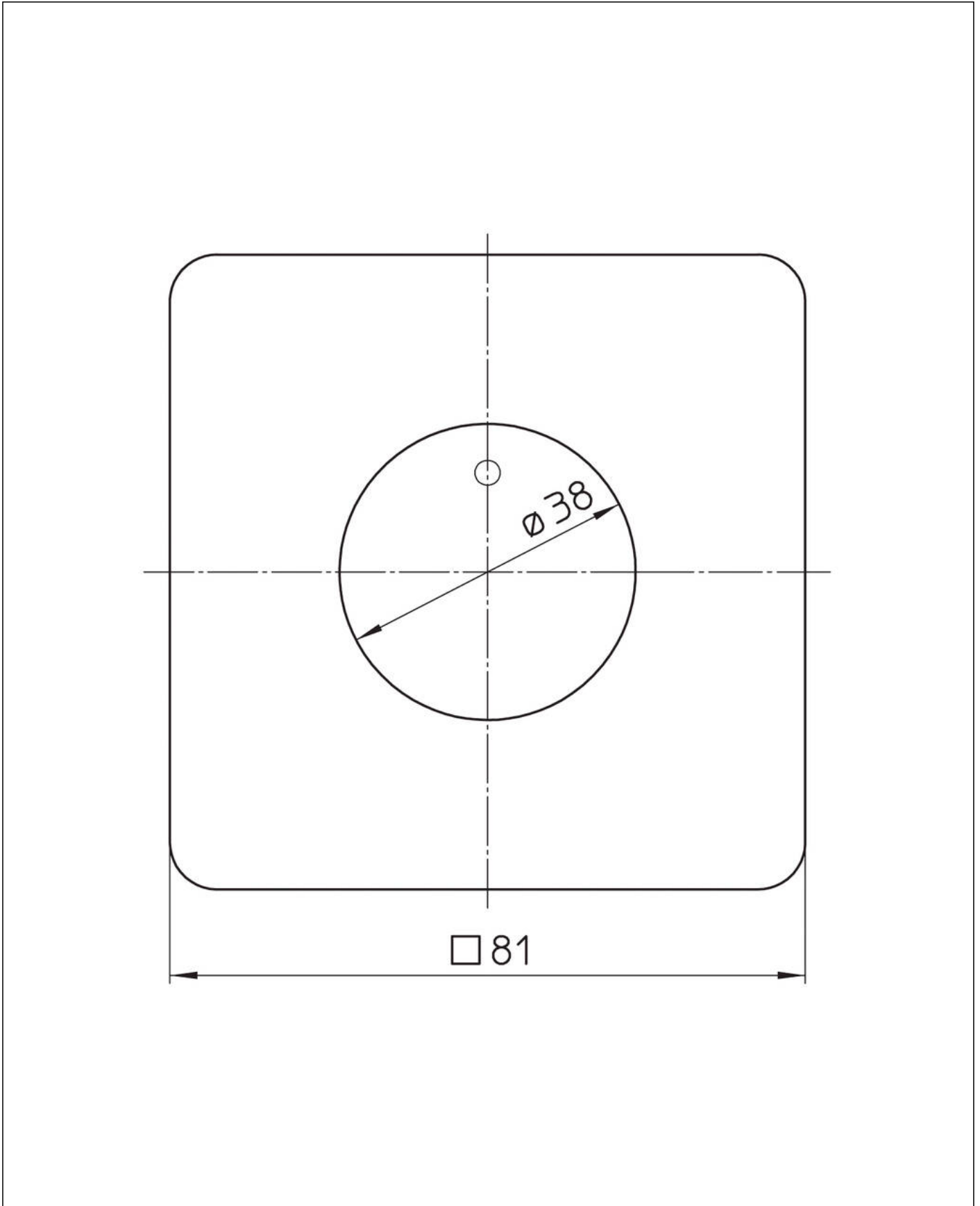
Your Contact:

**WISKA Hoppmann GmbH**

Kisdorfer Weg 28 · 24568 Kaltenkirchen · Germany

 +49-4191-508-0 ·  +49-4191-508-209

[contact@wiska.de](mailto:contact@wiska.de) · [www.wiska.com](http://www.wiska.com)



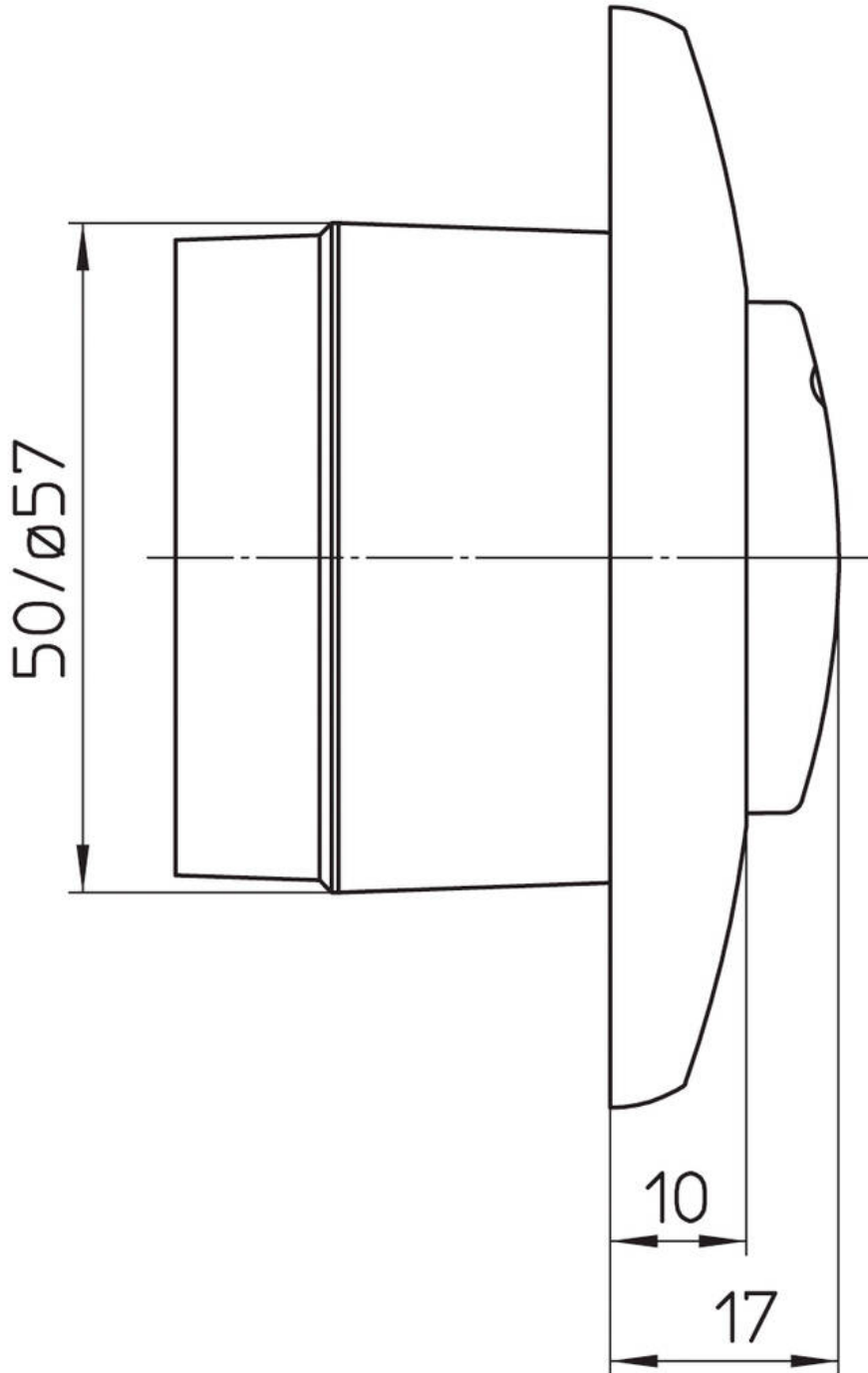
Your Contact:

**WISKA Hoppmann GmbH**

Kisdorfer Weg 28 · 24568 Kaltenkirchen · Germany

☎ +49-4191-508-0 · 📠 +49-4191-508-209

contact@wiska.de · www.wiska.com



Your Contact:

**WISKA Hoppmann GmbH**

Kisdorfer Weg 28 · 24568 Kaltenkirchen · Germany

☎ +49-4191-508-0 · 📠 +49-4191-508-209

contact@wiska.de · www.wiska.com