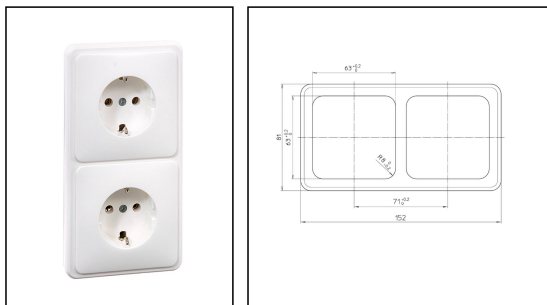


PH-SSF-16D-NWT

SCHUKO double socket flush mounting 230V IP20, plastic, white



Products may differ in size, colour and appearance to those shown. If you require further information or customisation, please contact us directly.



PEHA

WISKA-Order no.	50015713
Type	PH-SSF-16D-NWT
Voltage	250 V
Current	16 A
Protection class	IP20
Material	Urea moulding compound
External dimensions LxWxH	81x152x5,5mm
Socket insert	SCHUKO
Terminals/poles	2-pole + E
Weight	0,19 kg
Colour	Pure white, similar RAL 9010
Mounting	Recessed mounting
Variations	on request
Tariff number	85366990

Remarks:

- with central plate + frame 2-gang

Recommended accessories

Box 2-gang Kaiser 9062-02	50100411
----------------------------------	----------

Spare parts

PH D 80.672.02 Frame 2-gang	50105076
------------------------------------	----------

Your Contact:

WISKA Hoppmann GmbH

Kisdorfer Weg 28 · 24568 Kaltenkirchen · Germany

☎ +49-4191-508-0 · 📠 +49-4191-508-209

contact@wiska.de · www.wiska.com

12.05.2026

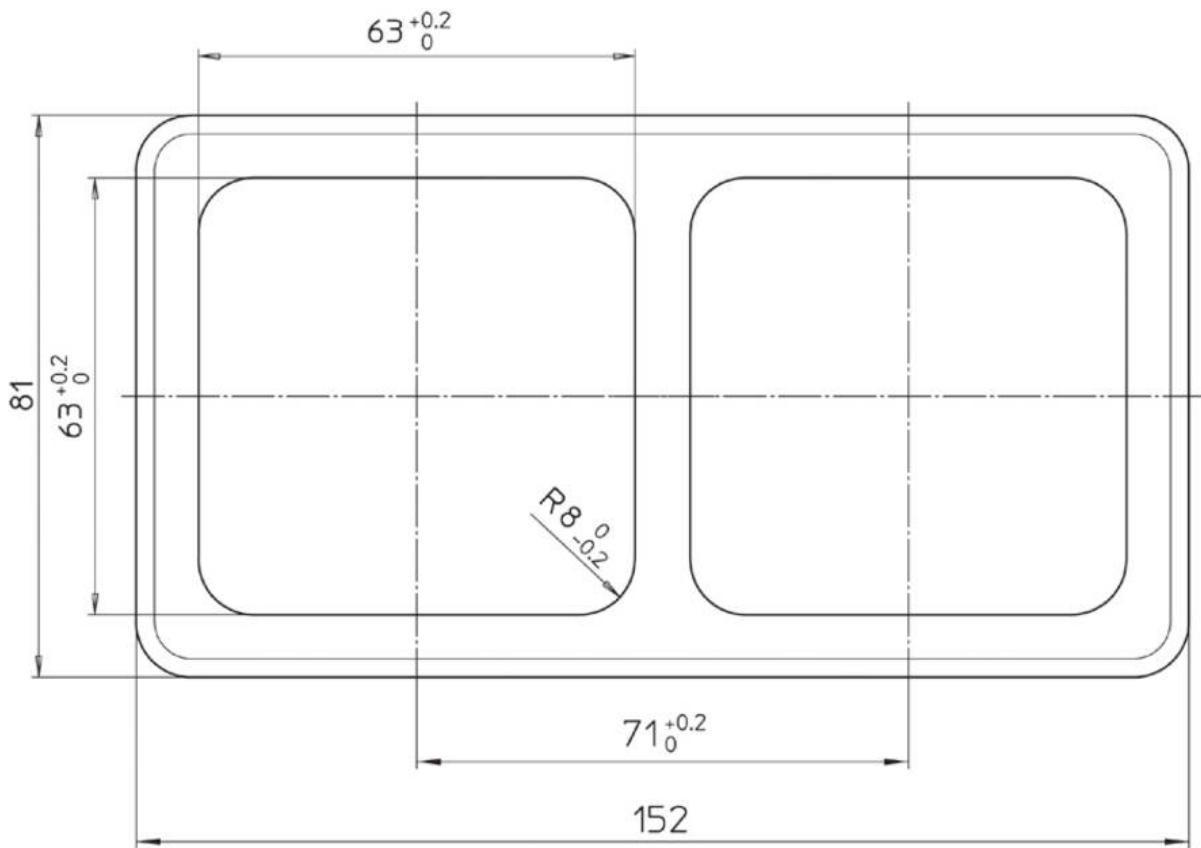
Your Contact:

WISKA Hoppmann GmbH

Kisdorfer Weg 28 · 24568 Kaltenkirchen · Germany

☎ +49-4191-508-0 · 📠 +49-4191-508-209

contact@wiska.de · www.wiska.com



Your Contact:

WISKA Hoppmann GmbH

Kisdorfer Weg 28 · 24568 Kaltenkirchen · Germany

☎ +49-4191-508-0 · 📠 +49-4191-508-209

✉ contact@wiska.de · 🌐 www.wiska.com