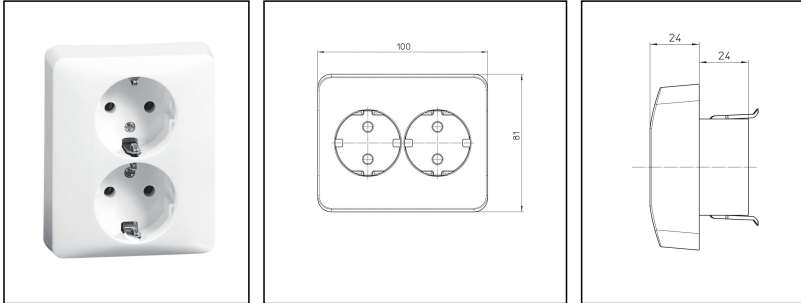


PH-SSf-16SD-NWT

SCHUKO double socket surface mounting 230V IP20, plastic, white



Products may differ in size, colour and appearance to those shown. If you require further information or customisation, please contact us directly.



WISKA-Order no.	50015715
Type	PH-SSf-16SD-NWT
Voltage	250 V
Current	16 A
Protection class	IP20
Material	Urea moulding compound
External dimensions LxWxH	81x100x24mm
Socket insert	SCHUKO
Terminals/poles	2-pole + E
Weight	0,13 kg
Colour	Pure white, similar RAL 9010
Advice	with screw terminals, Cover for single mounting
Mounting	Recessed mounting
Variations	on request
Tariff number	85366990

Remarks:

with screw clamps and full covering plate for single mounting

12.05.2026

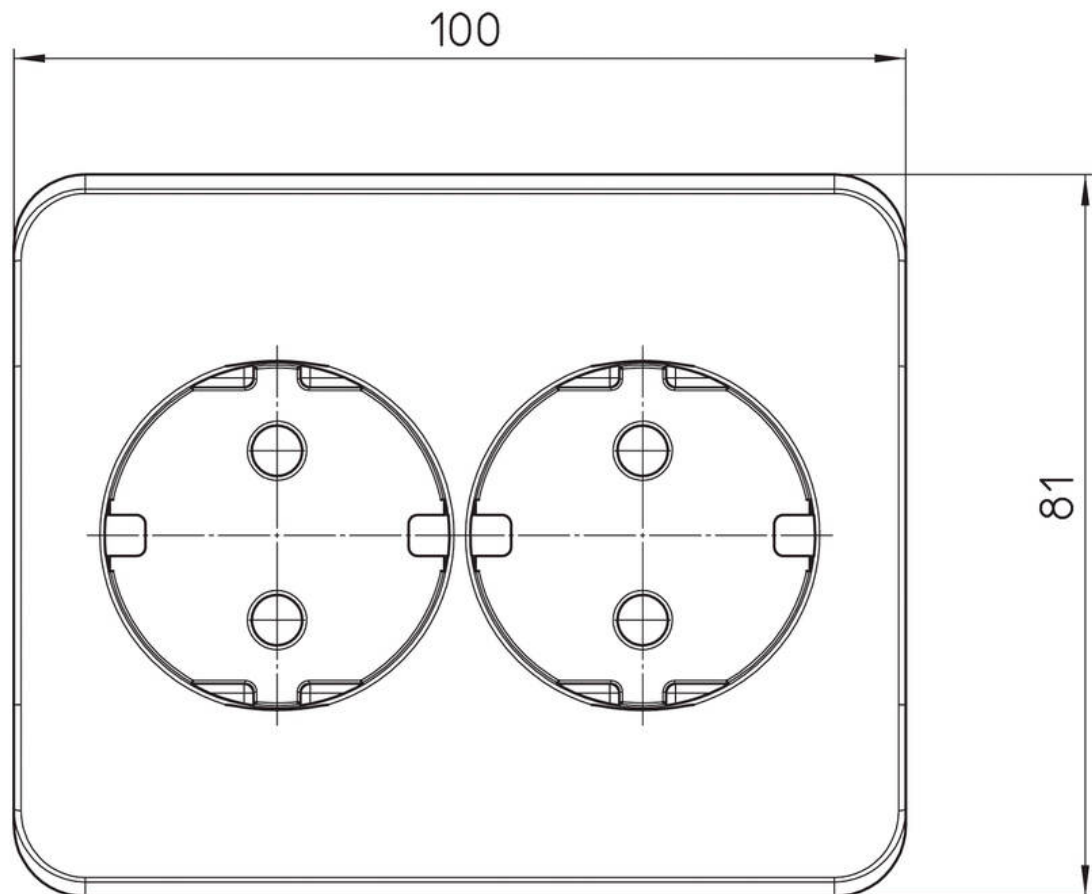
Your Contact:

WISKA Hoppmann GmbH

Kisdorfer Weg 28 · 24568 Kaltenkirchen · Germany

☎ +49-4191-508-0 · 📠 +49-4191-508-209

contact@wiska.de · www.wiska.com



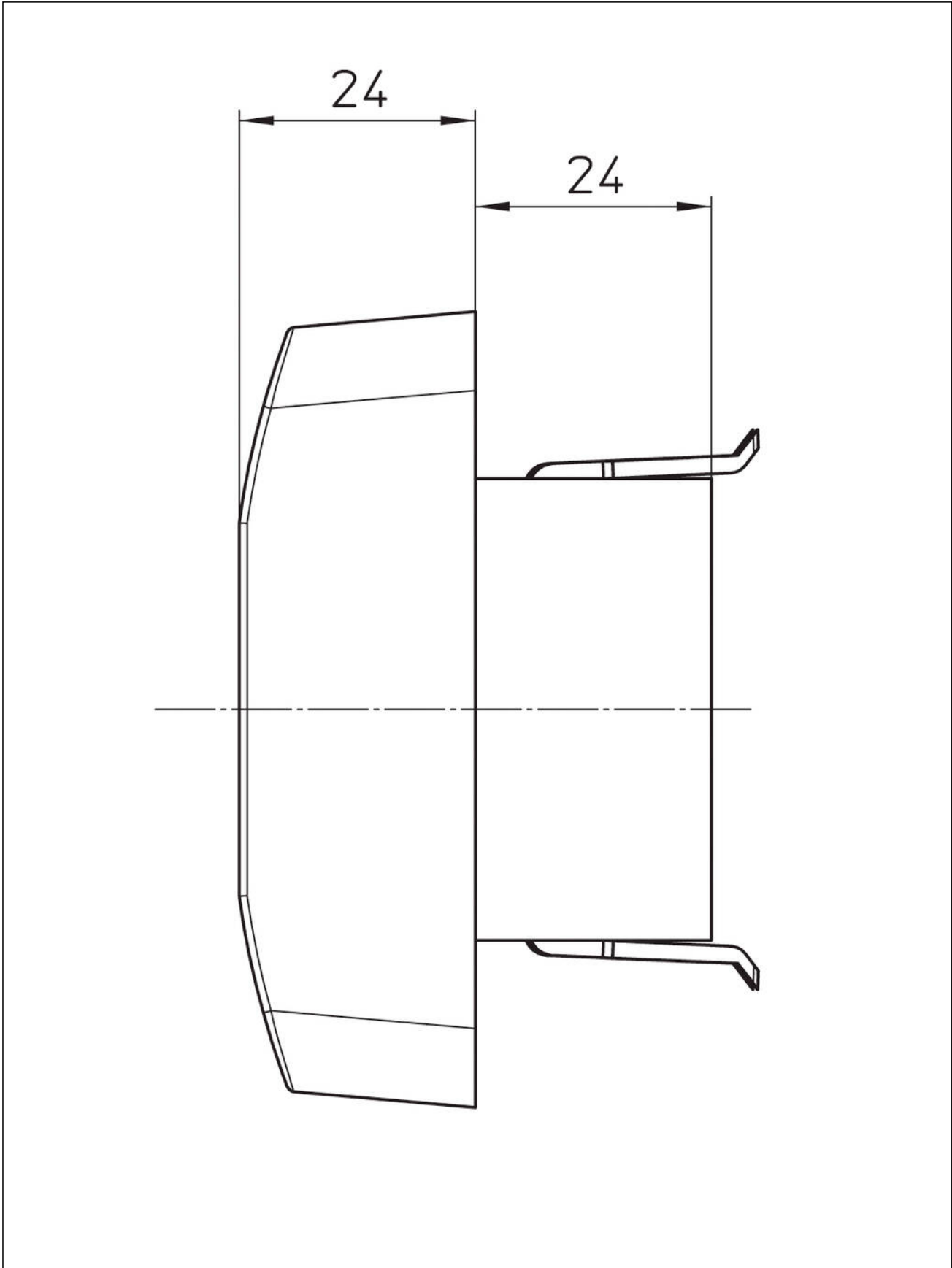
Your Contact:

WISKA Hoppmann GmbH

Kisdorfer Weg 28 · 24568 Kaltenkirchen · Germany

☎ +49-4191-508-0 · 📠 +49-4191-508-209

contact@wiska.de · www.wiska.com



Your Contact:

WISKA Hoppmann GmbH

Kisdorfer Weg 28 · 24568 Kaltenkirchen · Germany

☎ +49-4191-508-0 · 📠 +49-4191-508-209

contact@wiska.de · www.wiska.com