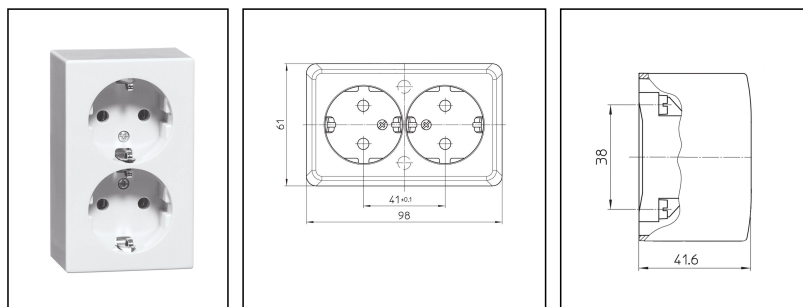


## PH D 6652.02 SI BF

SCHUKO double socket surface mounting 230V, plastic, white, IP20



Products may differ in size, colour and appearance to those shown. If you require further information or customisation, please contact us directly.



PEHA

<b>WISKA-Order no.</b>	50015716
<b>Type</b>	PH D 6652.02 SI BF
<b>Voltage</b>	250 V
<b>Current</b>	16 A
<b>Protection class</b>	IP20
<b>Material</b>	Urea moulding compound
<b>External dimensions LxWxH</b>	61x98x41,6mm
<b>Socket insert</b>	SCHUKO
<b>Terminals/poles</b>	2-pole + E
<b>Weight</b>	0,12 kg
<b>Colour</b>	Pure white, similar RAL 9010
<b>Mounting</b>	Surface mounting
<b>Variations</b>	on request
<b>Tariff number</b>	85366990

Remarks:

Schuko double socket surface mounting

IP 20

with screw terminals

heightened electric shock protection

Current intensity: 16A

Material: Duroplast

Colour: pure white, similar RAL 9010

Socket interior: 2-pole + PE

98x60x40,8mm

26.06.2026

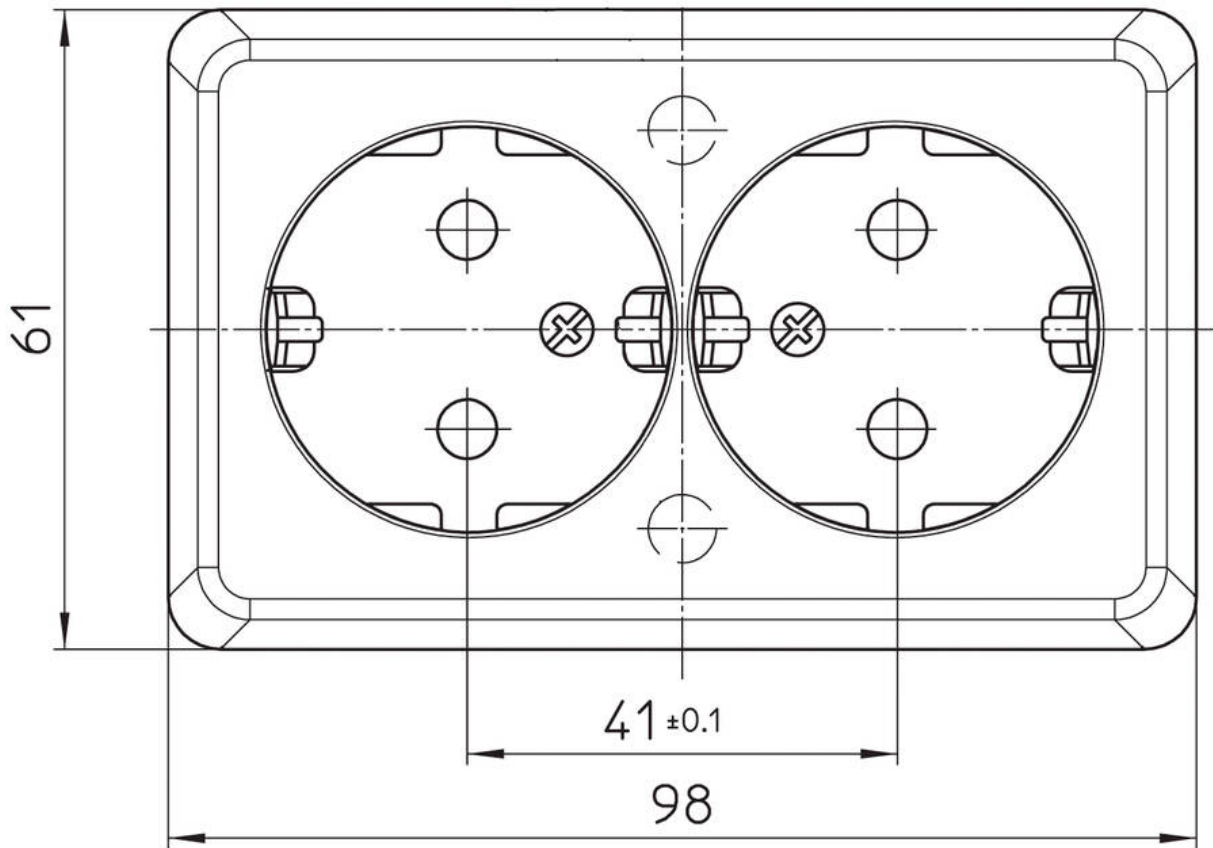
Your Contact:

**WISKA Hoppmann GmbH**

Kisdorfer Weg 28 · 24568 Kaltenkirchen · Germany

☎ +49-4191-508-0 · 📠 +49-4191-508-209

contact@wiska.de · www.wiska.com



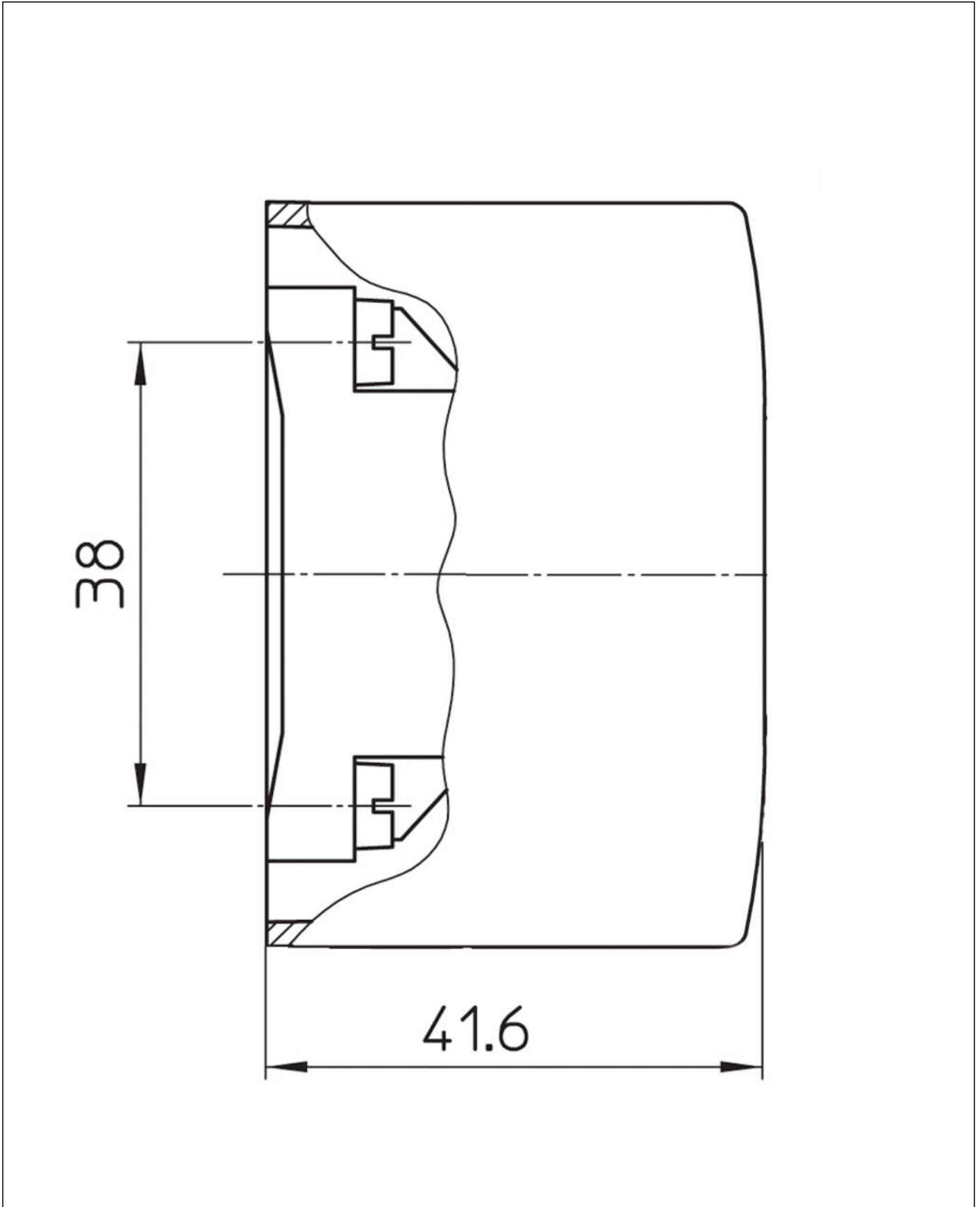
Your Contact:

**WISKA Hoppmann GmbH**

Kisdorfer Weg 28 · 24568 Kaltenkirchen · Germany

☎ +49-4191-508-0 · 📠 +49-4191-508-209

contact@wiska.de · www.wiska.com



Your Contact:

**WISKA Hoppmann GmbH**

Kisdorfer Weg 28 · 24568 Kaltenkirchen · Germany

☎ +49-4191-508-0 · 📠 +49-4191-508-209

contact@wiska.de · www.wiska.com