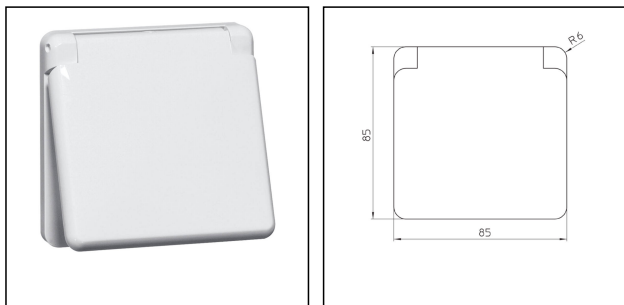


## PH-SSF-16-WT

Schuko sockets flush mounting, 230V IP44, plastic, white



Products may differ in size, colour and appearance to those shown. If you require further information or customisation, please contact us directly.



PEHA

<b>WISKA-Order no.</b>	50015717
<b>Type</b>	PH-SSF-16-WT
<b>Voltage</b>	250 V
<b>Current</b>	16 A
<b>Protection class</b>	IP44
<b>Material</b>	Thermoplastic
<b>External dimensions LxWxH</b>	85x85x5,5mm
<b>Socket insert</b>	SCHUKO
<b>Terminals/poles</b>	2-pole + E
<b>Weight</b>	0,11 kg
<b>Colour</b>	Pure white, similar RAL 9010
<b>Mounting</b>	Recessed mounting
<b>Tariff number</b>	85366990

Remarks:

- crushproof
- with full cover plate

### Recommended accessories

<b>Switch box cavity wall, Kaiser 9061-00</b>	50016285
---	----------

12.05.2026

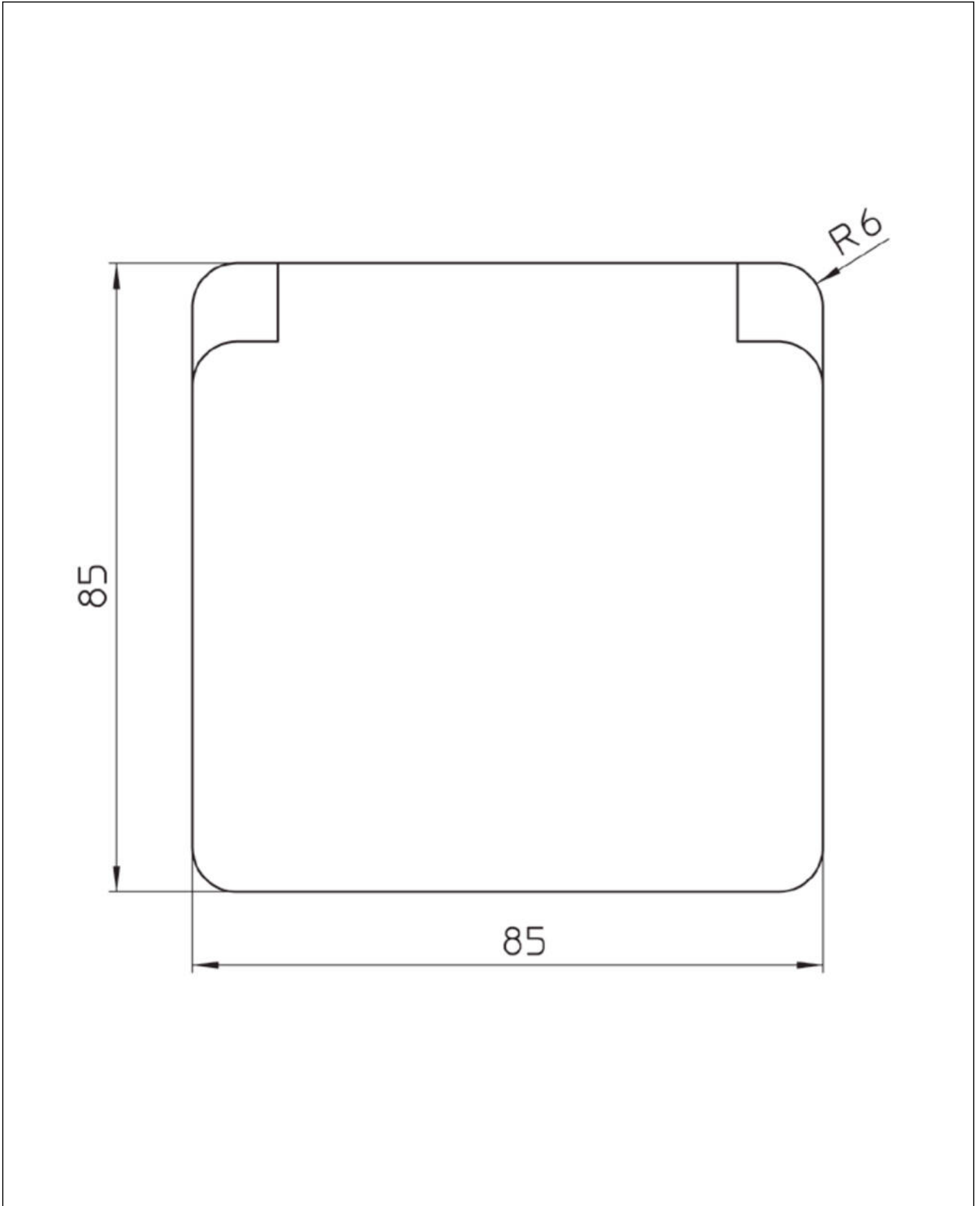
Your Contact:

**WISKA Hoppmann GmbH**

Kisdorfer Weg 28 · 24568 Kaltenkirchen · Germany

☎ +49-4191-508-0 · 📠 +49-4191-508-209

contact@wiska.de · www.wiska.com



Your Contact:

**WISKA Hoppmann GmbH**

Kisdorfer Weg 28 · 24568 Kaltenkirchen · Germany

☎ +49-4191-508-0 · 📠 +49-4191-508-209

contact@wiska.de · www.wiska.com