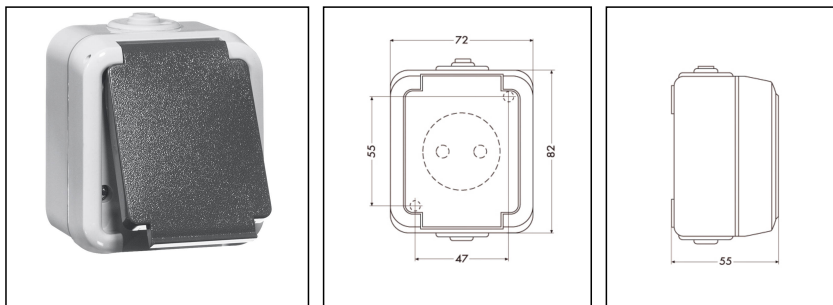


PH-SSS-16-WT

SCHUKO socket surface mounting 230V IP54, plastic, grey



Products may differ in size, colour and appearance to those shown. If you require further information or customisation, please contact us directly.



PEHA

WISKA-Order no.	50015718
Type	PH-SSS-16-WT
Voltage	250 V
Current	16 A
Protection class	IP54
Material	Thermoplastic
External dimensions LxWxH	72x82x55mm
Socket insert	SCHUKO
Terminals/poles	2-pole + E
Weight	0,14 kg
Colour	Grey white similar to RAL 9002
Mounting	Surface mounting
Variations	on request
Tariff number	85366990

12.05.2026

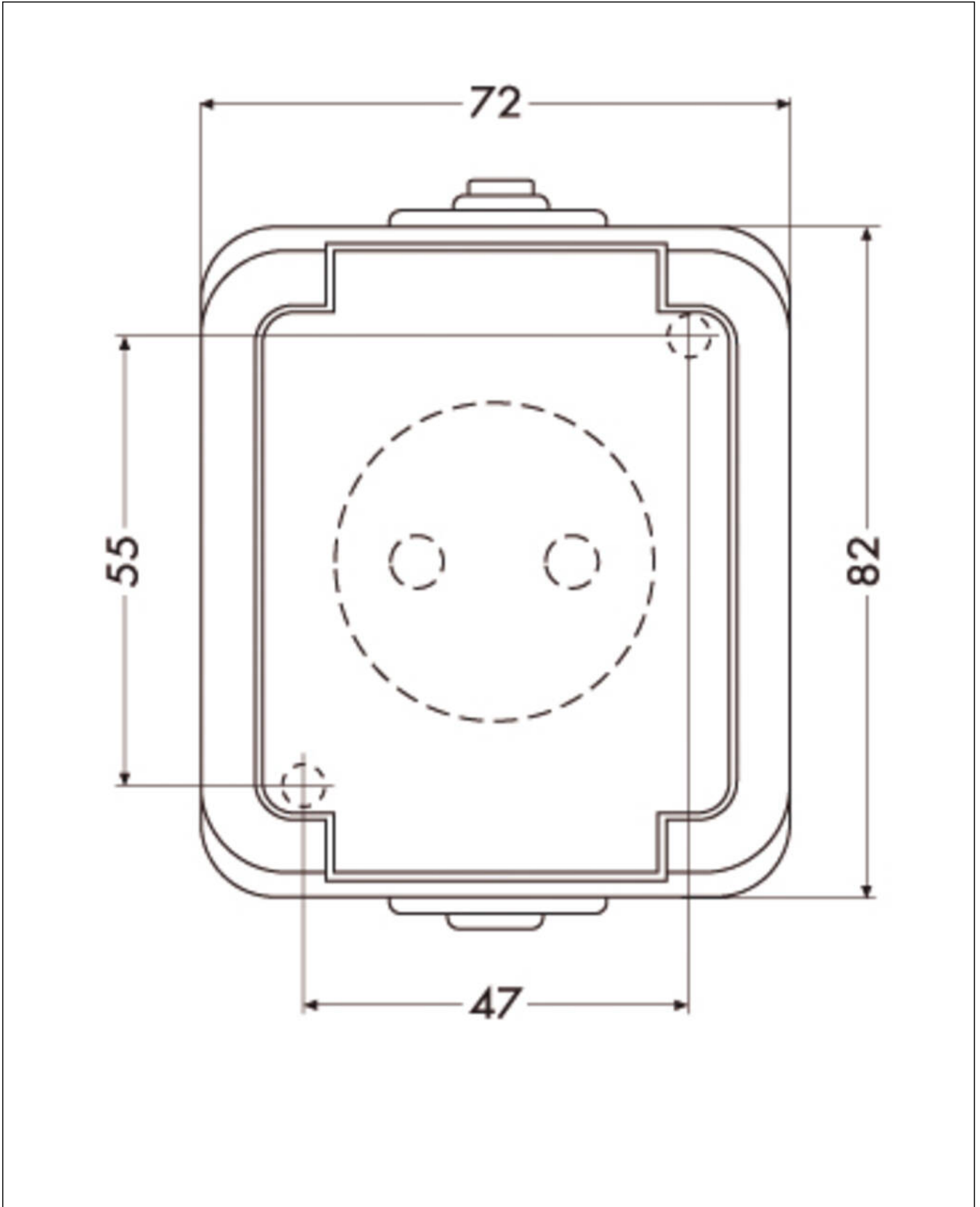
Your Contact:

WISKA Hoppmann GmbH

Kisdorfer Weg 28 · 24568 Kaltenkirchen · Germany

☎ +49-4191-508-0 · 📠 +49-4191-508-209

contact@wiska.de · www.wiska.com



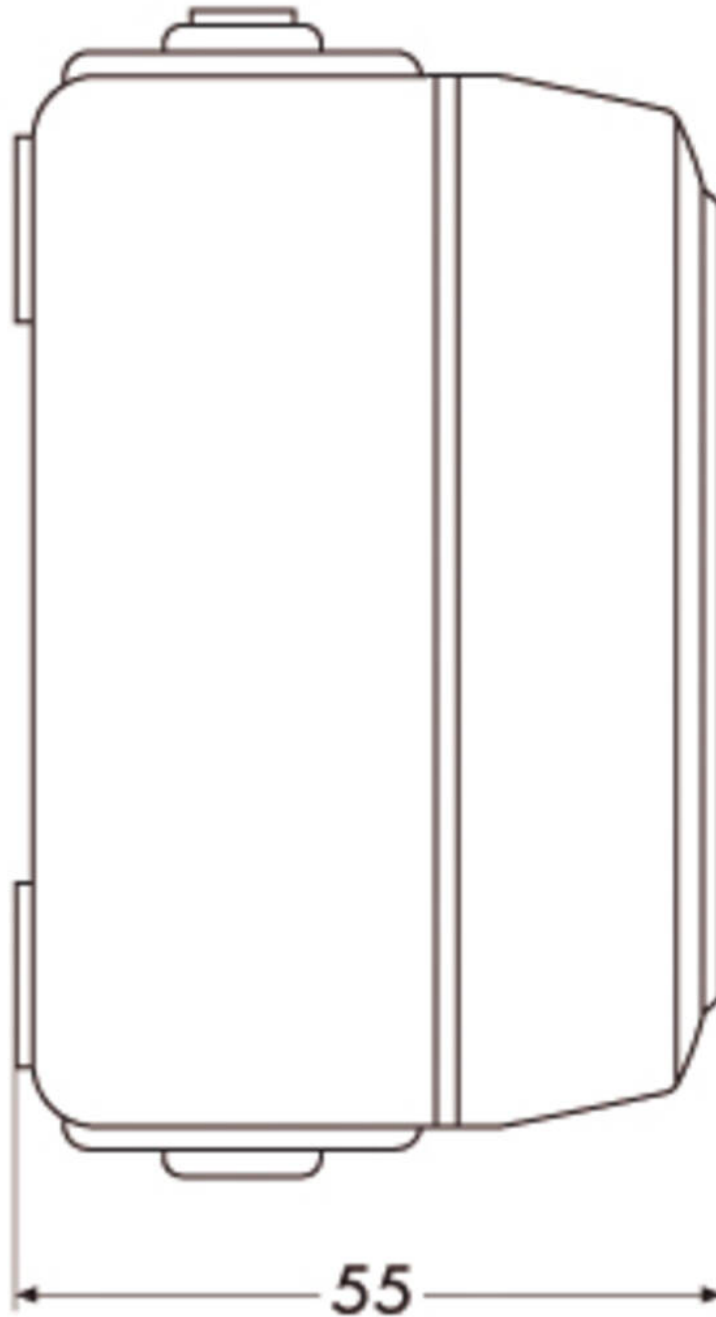
Your Contact:

WISKA Hoppmann GmbH

Kisdorfer Weg 28 · 24568 Kaltenkirchen · Germany

☎ +49-4191-508-0 · 📠 +49-4191-508-209

contact@wiska.de · www.wiska.com



Your Contact:

WISKA Hoppmann GmbH

Kisdorfer Weg 28 · 24568 Kaltenkirchen · Germany

☎ +49-4191-508-0 · 📠 +49-4191-508-209

contact@wiska.de · www.wiska.com