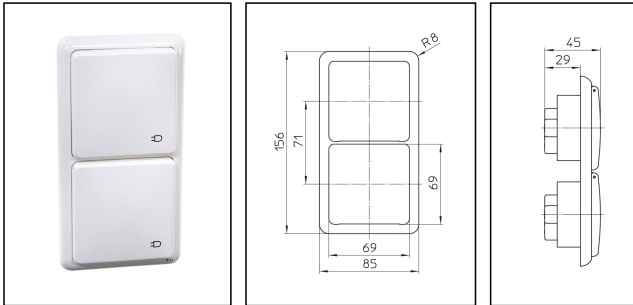


## PH-SSF-16D-WT

Schuko double sockets flush mounting, 230V IP44, plastic, white



Products may differ in size, colour and appearance to those shown. If you require further information or customisation, please contact us directly.



|                                  |                              |
|----------------------------------|------------------------------|
| <b>WISKA-Order no.</b>           | 50015719                     |
| <b>Type</b>                      | PH-SSF-16D-WT                |
| <b>Voltage</b>                   | 250 V                        |
| <b>Current</b>                   | 16 A                         |
| <b>Protection class</b>          | IP44                         |
| <b>Material</b>                  | Thermoplastic                |
| <b>External dimensions LxWxH</b> | 85x156x5,5mm                 |
| <b>Socket insert</b>             | SCHUKO                       |
| <b>Terminals/poles</b>           | 2-pole + E                   |
| <b>Weight</b>                    | 0,21 kg                      |
| <b>Colour</b>                    | Pure white, similar RAL 9010 |
| <b>Mounting</b>                  | Recessed mounting            |
| <b>Variations</b>                | on request                   |
| <b>Tariff number</b>             | 85366990                     |

Remarks:

- crushproof
- with hinged cover and 2-gang frame

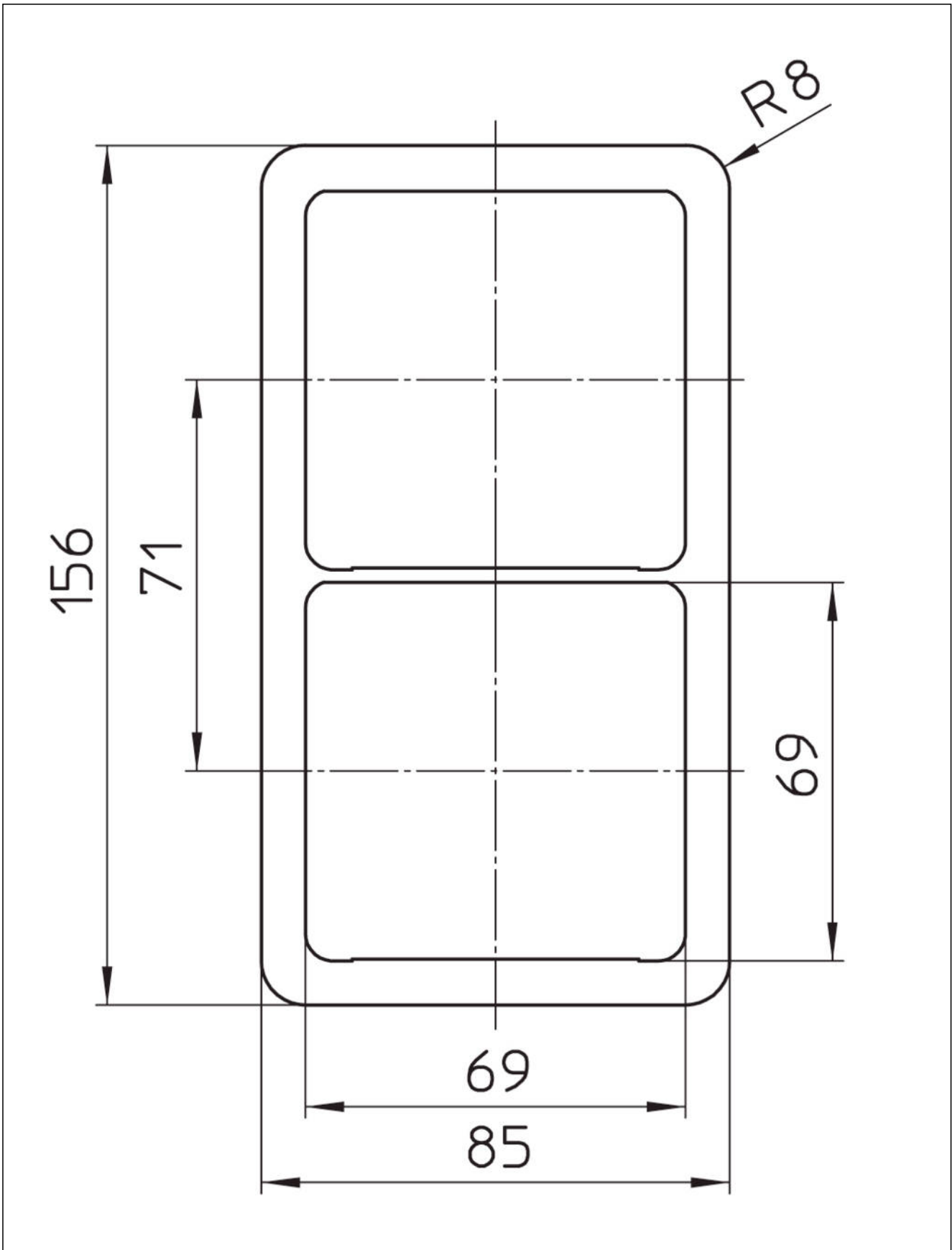
### Recommended accessories

|                                  |          |
|----------------------------------|----------|
| <b>Box 2-gang Kaiser 9062-02</b> | 50100411 |
|----------------------------------|----------|

12.05.2026

Your Contact:

**WISKA Hoppmann GmbH**  
 Kisdorfer Weg 28 · 24568 Kaltenkirchen · Germany  
 ☎ +49-4191-508-0 · 📠 +49-4191-508-209  
 contact@wiska.de · www.wiska.com



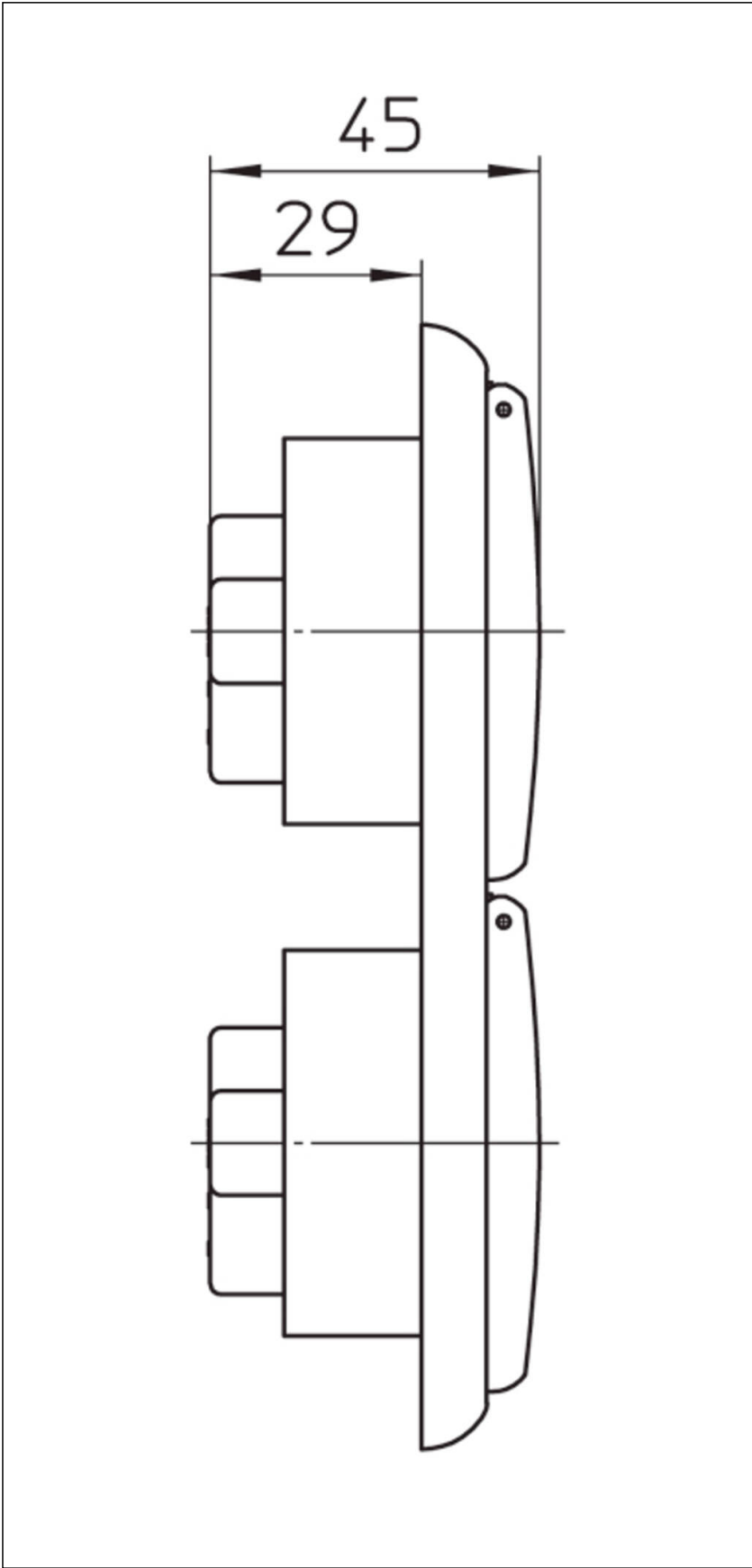
Your Contact:

**WISKA Hoppmann GmbH**

Kisdorfer Weg 28 · 24568 Kaltenkirchen · Germany

☎ +49-4191-508-0 · 📠 +49-4191-508-209

contact@wiska.de · www.wiska.com



Your Contact:  
**WISKA Hoppmann GmbH**  
Kisdorfer Weg 28 · 24568 Kaltenkirchen · Germany  
☎ +49-4191-508-0 · 📠 +49-4191-508-209  
contact@wiska.de · www.wiska.com