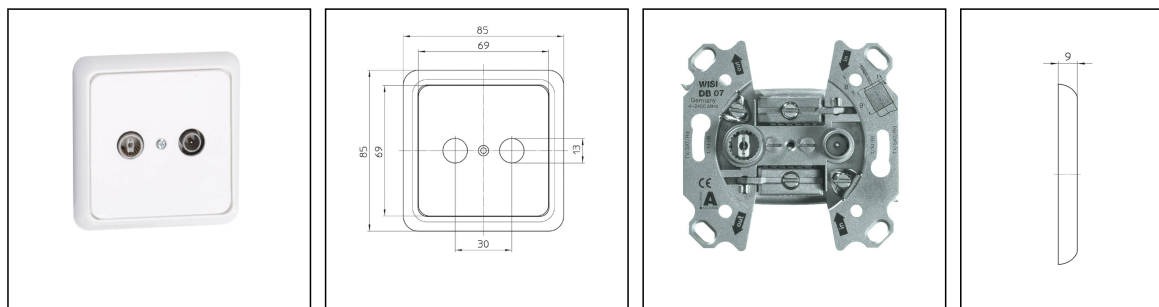


PH-ANTS-NWT

TV/Radio socket 2-hole box flush mounting, plastic, white, IP20



Products may differ in size, colour and appearance to those shown. If you require further information or customisation, please contact us directly.



PEHA

WISKA-Order no.	50015730
Type	PH-ANTS-NWT
Protection class	IP20
Material	Urea moulding compound
External dimensions LxWxH	85x85x9mm
Socket insert	2-hole through box
Weight	0,12 kg
Colour	Pure white, similar RAL 9010
Mounting	Recessed mounting
Tariff number	85366990

Remarks:

Aerial socket 2-hole box, for aerial, CATV and satellite receiver units Through box outlet

Frequency: 4-2400 MHz

Throughput loss: 1 dB at 4-862 MHz

Throughput loss: 1.75 dB at 862-2400 MHz

Insertion loss: 14 dB at 4-862 MHz

Insertion loss: 15 dB at 862-2400 MHz

for screw and expansion fixing,

EMC protection class A, WISI DB 07

with central plate and frame

Material: duroplast

Colour: pure white similar RAL 9010

Recommended accessories

Switch box cavity wall, Kaiser 9061-00	50016285
---	----------

Your Contact:

WISKA Hoppmann GmbH

Kisdorfer Weg 28 · 24568 Kaltenkirchen · Germany

☎ +49-4191-508-0 · 📠 +49-4191-508-209

contact@wiska.de · www.wiska.com

Spare parts

PH D 80.671.02 Frame 1-gang	50101281
PH-D 80.610.02 TV UB	50104701

23.05.2026

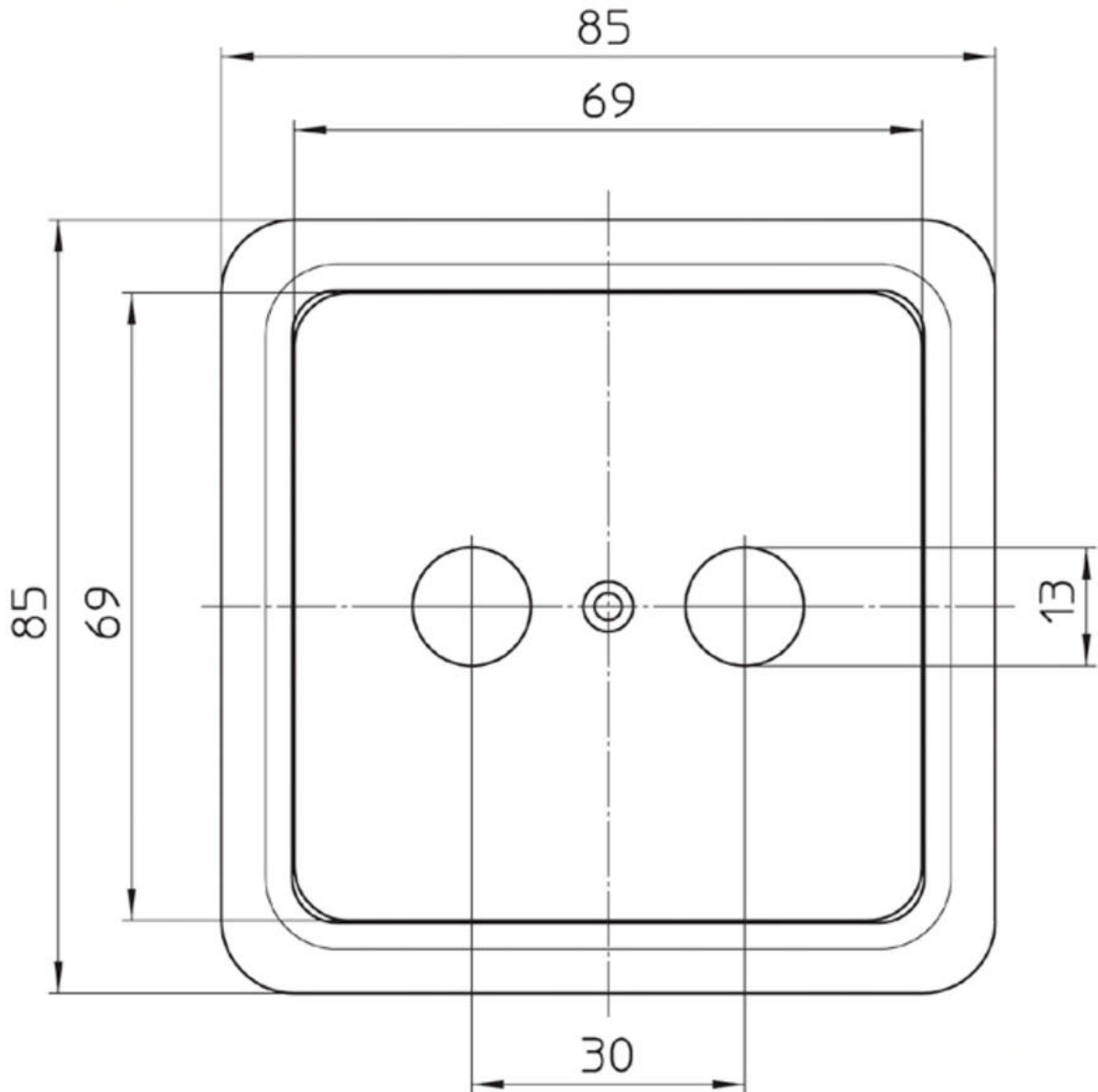
Your Contact:

WISKA Hoppmann GmbH

Kisdorfer Weg 28 · 24568 Kaltenkirchen · Germany

 +49-4191-508-0 ·  +49-4191-508-209

contact@wiska.de · www.wiska.com



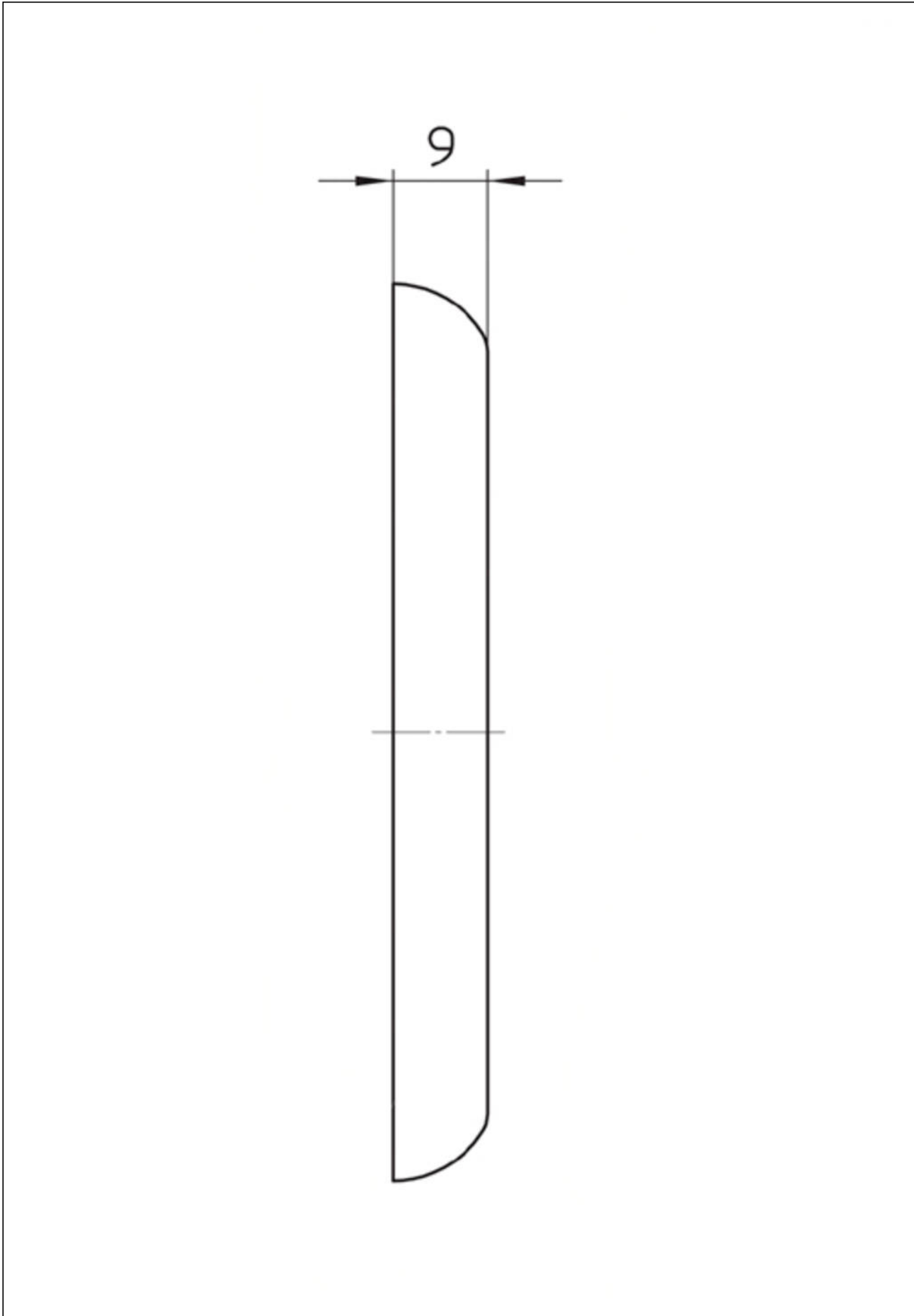
Your Contact:

WISKA Hoppmann GmbH

Kisdorfer Weg 28 · 24568 Kaltenkirchen · Germany

☎ +49-4191-508-0 · 📠 +49-4191-508-209

✉ contact@wiska.de · www.wiska.com



Your Contact:

WISKA Hoppmann GmbH

Kisdorfer Weg 28 · 24568 Kaltenkirchen · Germany

☎ +49-4191-508-0 · 📠 +49-4191-508-209

contact@wiska.de · www.wiska.com