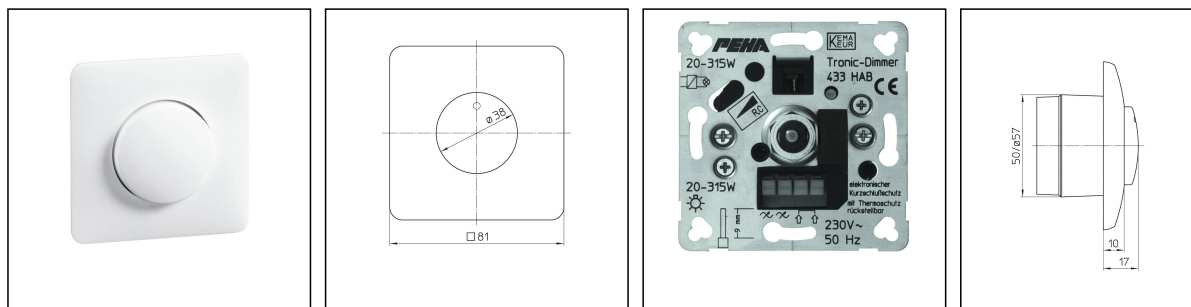


PH-DIM 315W-50-NWT

Transistor dimmer 315W 230V 50Hz, plastic, white, IP20



Products may differ in size, colour and appearance to those shown. If you require further information or customisation, please contact us directly.



PEHA

WISKA-Order no.	50015752
Type	PH-DIM 315W-50-NWT
Voltage	250 V
Type of Voltage	AC
Current	16 A
Protection class	IP20
Material	Urea moulding compound
Mounting	Recessed mounting
Type of switch	Change-over, 2-pole
Colour	Pure white, similar RAL 9010
Tariff number	85366990

Remarks:

TRONIC dimmer, inverse phase controlled dimmer, for low voltage halogen lamp with electronic transformers, filament lamps, high voltage halogen lamps and other ohmic loads, with 1 way/2 way push on/push off switch, max. phase angle adjustable for transformer matching, with soft indexing, with clamp terminals, with electronic fuse, short-circuit-proof, self-resetting thermal overload
 230 V~, 50 Hz, 20-315 VA/W
 with standard cover pure white for single mounting

Recommended accessories

Switch box cavity wall, Kaiser 9061-00	50016285
--	----------

Spare parts

PH D 80.671.02 Frame 1-gang	50101281
-----------------------------	----------

Your Contact:

WISKA Hoppmann GmbH
 Kisdorfer Weg 28 · 24568 Kaltenkirchen · Germany
 ☎ +49-4191-508-0 · 📠 +49-4191-508-209
 contact@wiska.de · www.wiska.com

23.05.2026

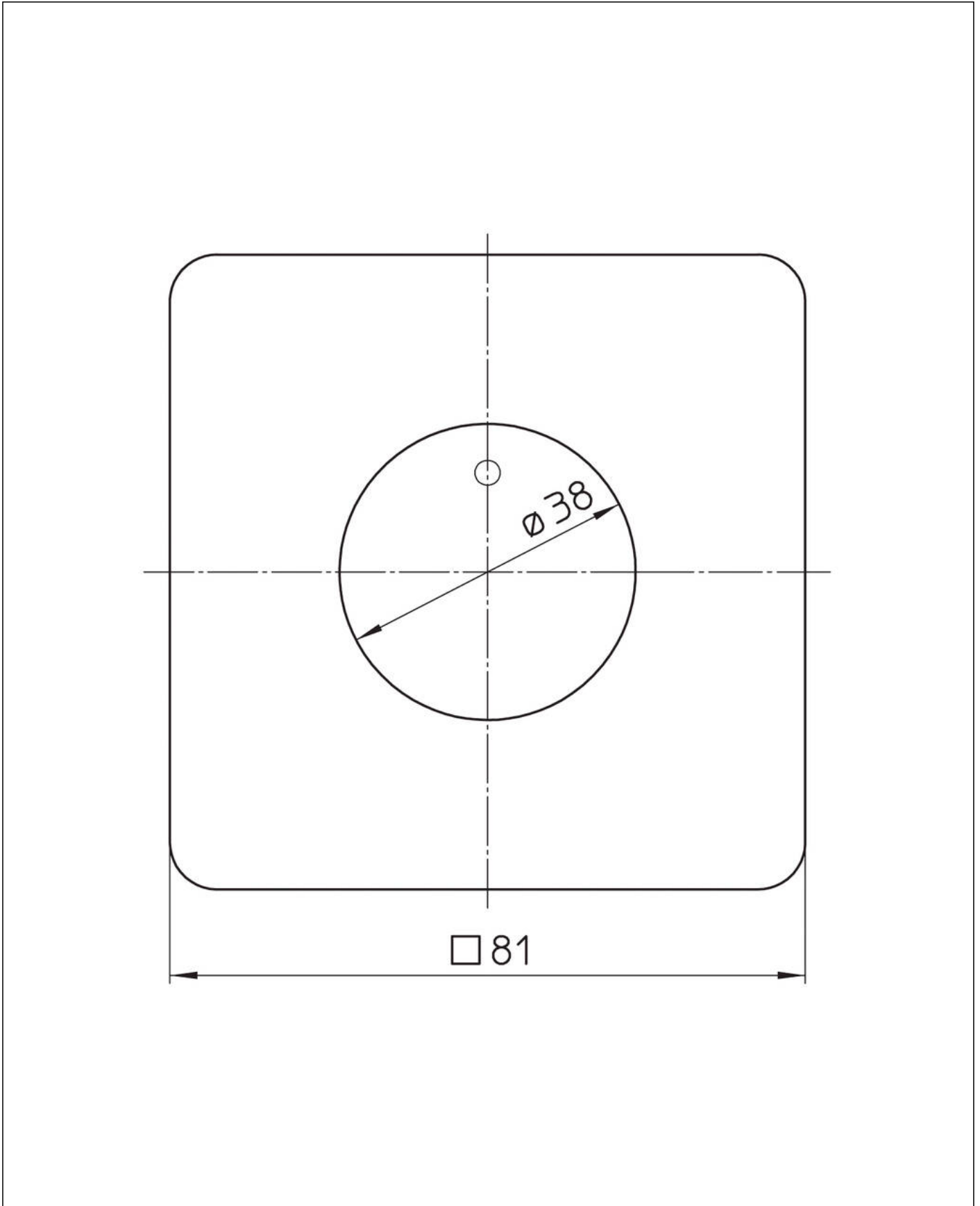
Your Contact:

WISKA Hoppmann GmbH

Kisdorfer Weg 28 · 24568 Kaltenkirchen · Germany

 +49-4191-508-0 ·  +49-4191-508-209

contact@wiska.de · www.wiska.com



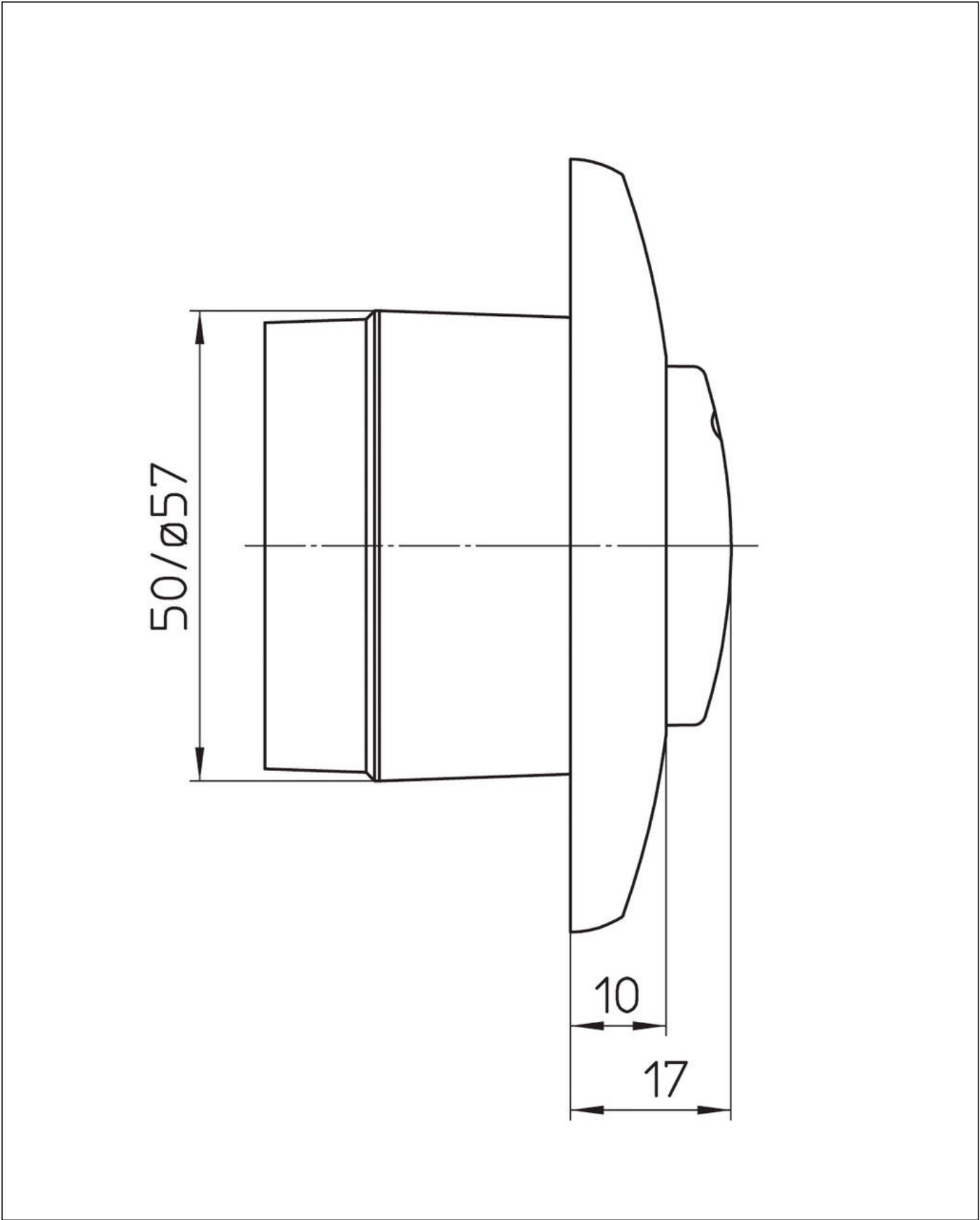
Your Contact:

WISKA Hoppmann GmbH

Kisdorfer Weg 28 · 24568 Kaltenkirchen · Germany

☎ +49-4191-508-0 · 📠 +49-4191-508-209

contact@wiska.de · www.wiska.com



Your Contact:
WISKA Hoppmann GmbH
Kisdorfer Weg 28 · 24568 Kaltenkirchen · Germany
☎ +49-4191-508-0 · 📠 +49-4191-508-209
contact@wiska.de · www.wiska.com