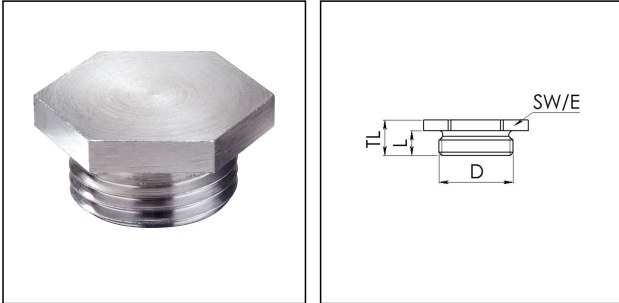


VSM 25/Cr

Stop end, brass chromed-plated similar to DIN 89284, M25



Products may differ in size, colour and appearance to those shown. If you require further information or customisation, please contact us directly.



Material	Brass
Temp. range min	-150 °C
Temp. range max	250 °C
Protection class	IP54
Thread type	M
Ø Connection thread D	25
Lead	1,5
Length screw-in thread L	9 mm
Key width SW	30 mm
Collar diameter (E)	35 mm
Total length TL	13 mm
Advice	* Similar to DIN 89284
Surface	Chromium-plated
Order no. chrome-plated	50016686
Form	A
Type	VSM 25/Cr
Packing unit	1
ETIM-Classification	EC000032

Remarks:

- with O-ring IP66/68

Recommended accessories

ORD-E 25

10064700

Your Contact:

WISKA Hoppmann GmbH

Kisdorfer Weg 28 · 24568 Kaltenkirchen · Germany

☎ +49-4191-508-0 · 📠 +49-4191-508-209

contact@wiska.de · www.wiska.com

08.07.2026

Your Contact:

WISKA Hoppmann GmbH

Kisdorfer Weg 28 · 24568 Kaltenkirchen · Germany

☎ +49-4191-508-0 · 📠 +49-4191-508-209

contact@wiska.de · www.wiska.com



Your Contact:

WISKA Hoppmann GmbH

Kisdorfer Weg 28 · 24568 Kaltenkirchen · Germany

☎ +49-4191-508-0 · 📠 +49-4191-508-209

contact@wiska.de · www.wiska.com