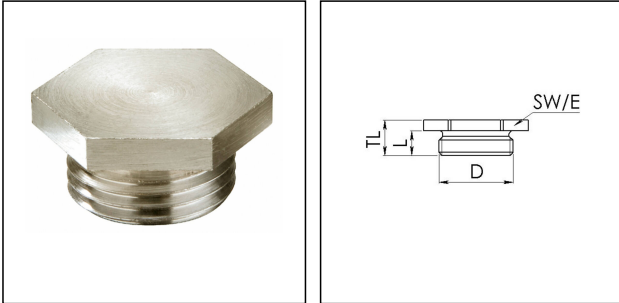


VSM 30/Ni

Stop end, brass nickel-plated according to DIN 89284, M30



Products may differ in size, colour and appearance to those shown. If you require further information or customisation, please contact us directly.



Material	Brass
Temp. range min	-150 °C
Temp. range max	250 °C
Protection class	IP54
Thread type	M
Ø Connection thread D	30
Lead	2
Length screw-in thread L	10 mm
Key width SW	36 mm
Collar diameter (E)	42 mm
Total length TL	14 mm
Surface	Nickel-plated
Order no. nickel-plated	50016775
Form	A
Type	VSM 30/Ni
Packing unit	1
ETIM-Classification	EC000032

Remarks:

- with O-ring IP66/68

Recommended accessories

ORD-E 30 + PG21	10104452
------------------------	----------

08.07.2026

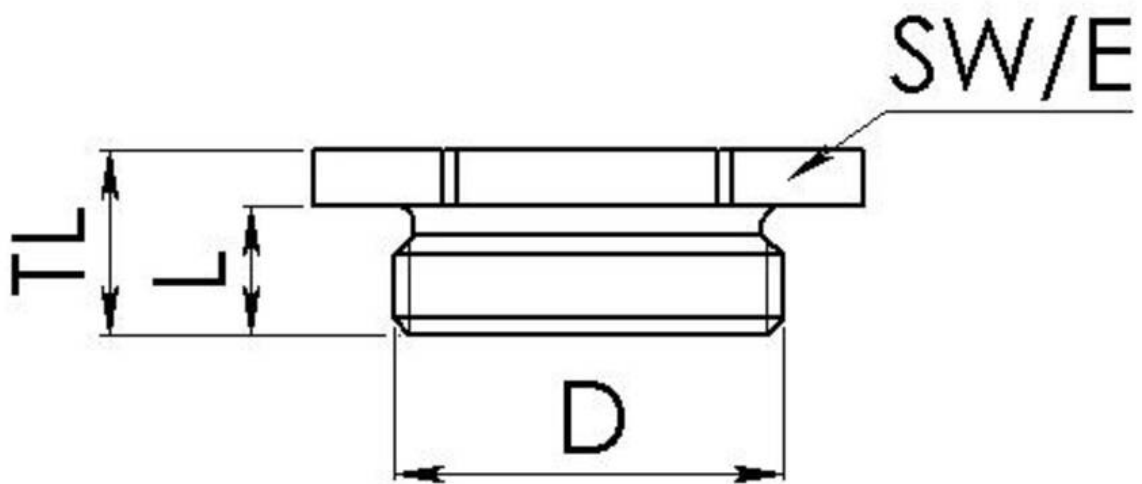
Your Contact:

WISKA Hoppmann GmbH

Kisdorfer Weg 28 · 24568 Kaltenkirchen · Germany

☎ +49-4191-508-0 · 📠 +49-4191-508-209

contact@wiska.de · www.wiska.com



Your Contact:

WISKA Hoppmann GmbH

Kisdorfer Weg 28 · 24568 Kaltenkirchen · Germany

☎ +49-4191-508-0 · 📠 +49-4191-508-209

contact@wiska.de · www.wiska.com