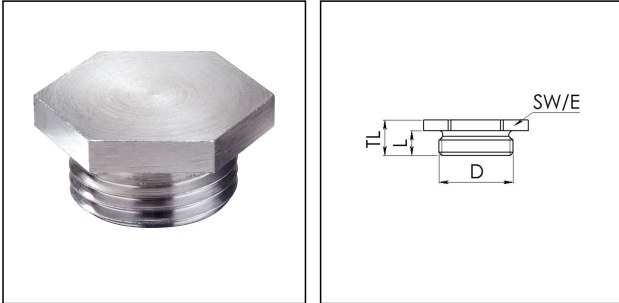


VSM 36/Cr

Stop end, brass chromed-plated according to DIN 89284, M36



Products may differ in size, colour and appearance to those shown. If you require further information or customisation, please contact us directly.



Material	Brass
Temp. range min	-150 °C
Temp. range max	250 °C
Protection class	IP54
Thread type	M
Ø Connection thread D	36
Lead	2
Length screw-in thread L	12 mm
Key width SW	41 mm
Collar diameter (E)	47 mm
Total length TL	17 mm
Surface	Chromium-plated
Order no. chrome-plated	50016786
Form	A
Type	VSM 36/Cr
Packing unit	1
ETIM-Classification	EC000032

Remarks:

- with O-ring IP66/68

Recommended accessories

ORD-E 36	10104453
-----------------	----------

08.07.2026

Your Contact:

WISKA Hoppmann GmbH

Kisdorfer Weg 28 · 24568 Kaltenkirchen · Germany

☎ +49-4191-508-0 · 📠 +49-4191-508-209

contact@wiska.de · www.wiska.com



Your Contact:

WISKA Hoppmann GmbH

Kisdorfer Weg 28 · 24568 Kaltenkirchen · Germany

☎ +49-4191-508-0 · 📠 +49-4191-508-209

contact@wiska.de · www.wiska.com