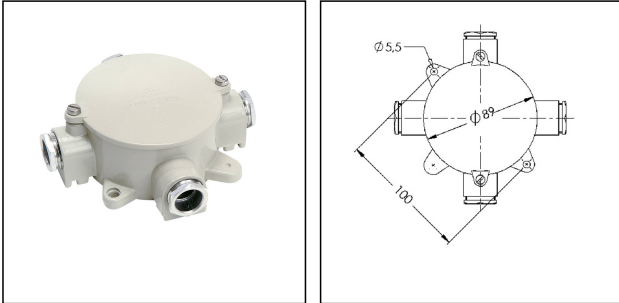



Junction box 7219406 - SE

Junction box Ø 89mm, aluminium, RAL 7032



Products may differ in size, colour and appearance to those shown. If you require further information or customisation, please contact us directly.



WISKA-Order no.	50045016
Type	Junction box 7219406 - SE
Voltage	500 V
Protection class	IP67
Material	Cast aluminium
Type of cable gland	PG16 / 12-14mm
Using for cable gland	
Ø cable diameter min	12 mm
Ø cable diameter max	14 mm
Internal dimensions LxWxH	Ø 80mm
External dimensions LxWxH	120x120x51mm
Mounting	Surface mounting
Temp. range min	-25 °C
Temp. range max	45 °C
Rated cross section	2,5 mm ²
Terminals/poles	5-pole + E, 2,5mm ²
Operational areas	Outdoor, Indoor work space, Engine room
Colour	RAL 7032
Weight	0,4 kg
Variations	on request
Tariff number	85369010

Spare parts

Your Contact:

WISKA Hoppmann GmbH

Kisdorfer Weg 28 · 24568 Kaltenkirchen · Germany

☎ +49-4191-508-0 · 📠 +49-4191-508-209



contact@wiska.de · www.wiska.com

12.05.2026

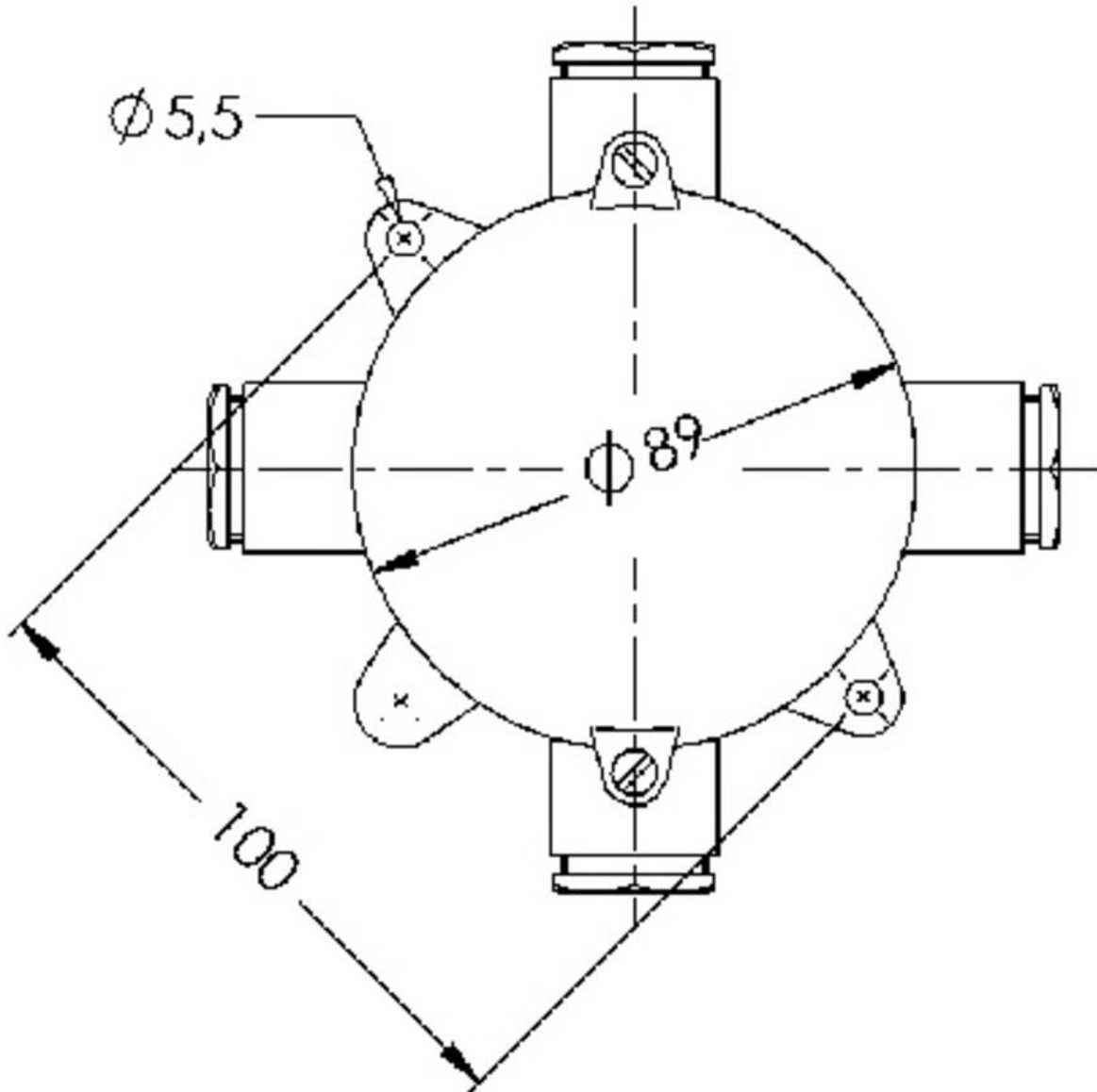
Your Contact:

WISKA Hoppmann GmbH

Kisdorfer Weg 28 · 24568 Kaltenkirchen · Germany

 +49-4191-508-0 ·  +49-4191-508-209

contact@wiska.de · www.wiska.com



Your Contact:

WISKA Hoppmann GmbH

Kisdorfer Weg 28 · 24568 Kaltenkirchen · Germany

☎ +49-4191-508-0 · 📠 +49-4191-508-209

contact@wiska.de · www.wiska.com