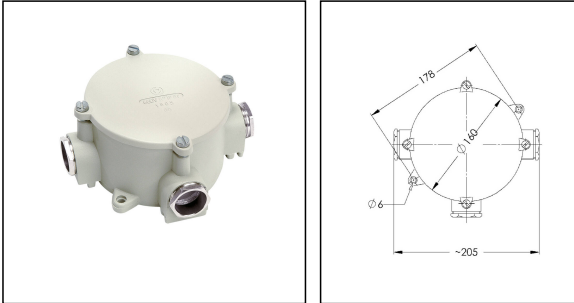



Junction box 16mm² 7219484 - SE

Junction box Ø 160mm, aluminium, RAL 7032, with terminal block



Products may differ in size, colour and appearance to those shown. If you require further information or customisation, please contact us directly.



WISKA-Order no.	50045064
Type	Junction box 16mm ² 7219484 - SE
Voltage	690 V
Protection class	IP67
Material	Cast aluminium
Type of cable gland	PG29 / 26-28mm
Using for cable gland	
Ø cable diameter min	26 mm
Ø cable diameter max	28 mm
Internal dimensions LxWxH	Ø 150mm
External dimensions LxWxH	212x178x85mm
Mounting	Surface mounting
Temp. range min	-25 °C
Temp. range max	45 °C
Rated cross section	16 mm ²
Terminals/poles	5-poles
Operational areas	Engine room, Indoor work space, Outdoor
Colour	RAL 7032
Weight	1,1 kg
Variations	on request
Tariff number	85369010

12.05.2026

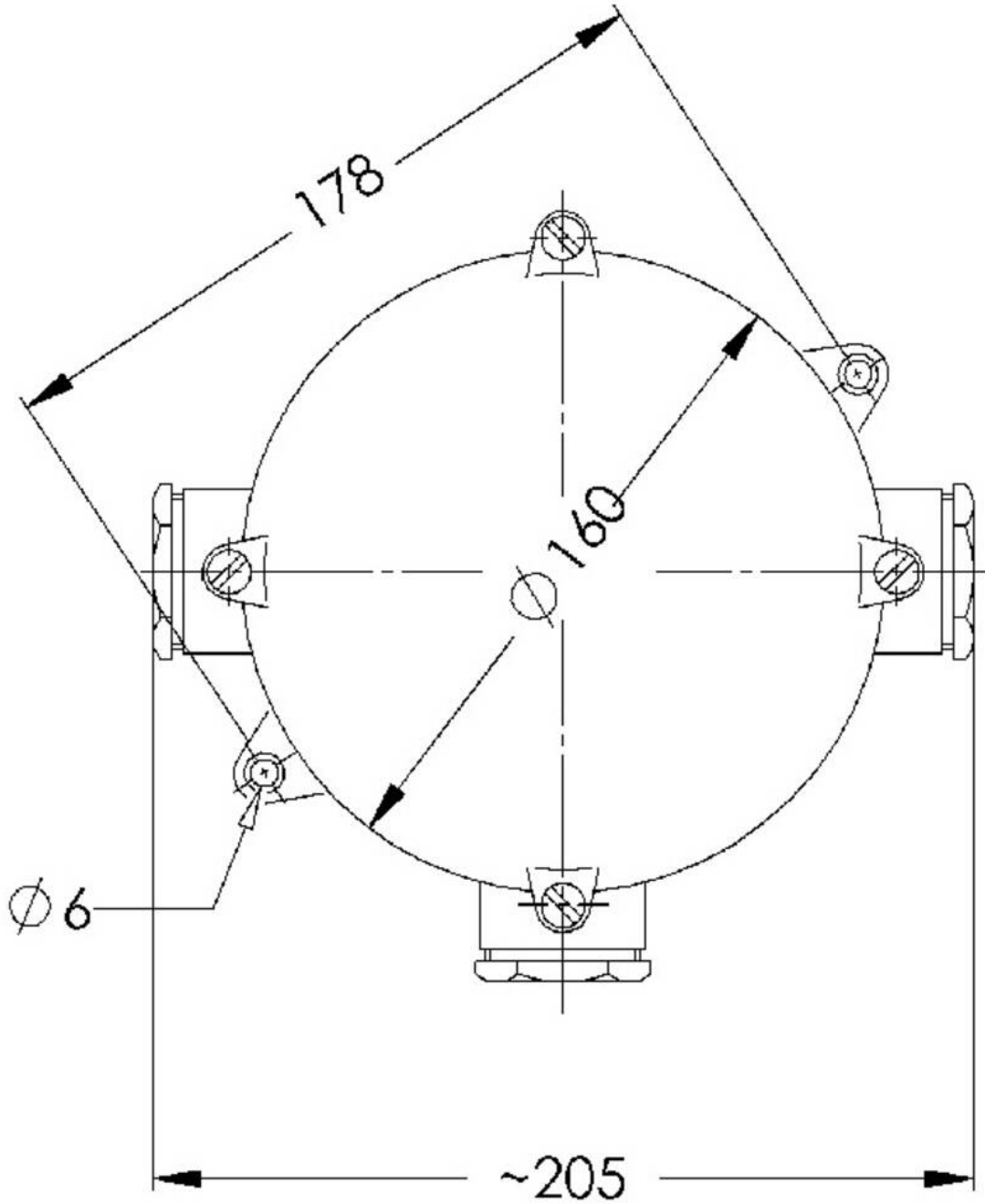
Your Contact:

WISKA Hoppmann GmbH

Kisdorfer Weg 28 · 24568 Kaltenkirchen · Germany

☎ +49-4191-508-0 · 📠 +49-4191-508-209

contact@wiska.de · www.wiska.com



Your Contact:

WISKA Hoppmann GmbH

Kisdorfer Weg 28 · 24568 Kaltenkirchen · Germany

☎ +49-4191-508-0 · 📠 +49-4191-508-209

contact@wiska.de · www.wiska.com