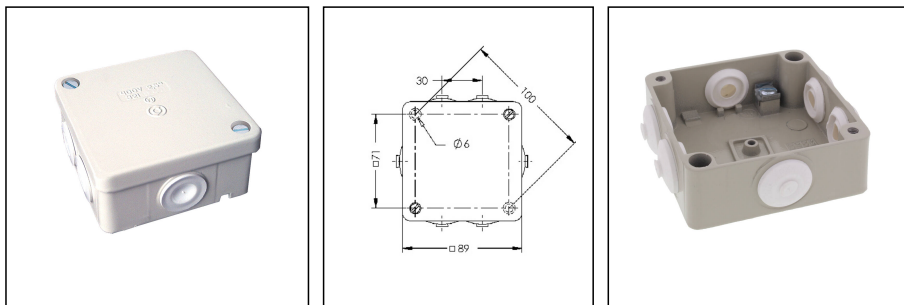



## Junction box w. membrane seal 7219471-SE

Junction box 89x89x43mm, aluminium, RAL 7032



Products may differ in size, colour and appearance to those shown. If you require further information or customisation, please contact us directly.



|                                  |   |
|----------------------------------|---|
| <b>WISKA-Order no.</b>           | 50045101  |
| <b>Type</b>                      | Junction box w. membrane seal 7219471-SE  |
| <b>Voltage</b>                   | 400 V   |
| <b>Protection class</b>          | IP44  |
| <b>Material</b>                  | Cast aluminium  |
| <b>Using for cable gland</b>     |  |
| <b>Type of cable gland</b>       | QUIXX M20 / 1-13mm  |
| <b>External dimensions LxWxH</b> | 89x89x43 mm   |
| <b>Mounting</b>                  | Surface mounting  |
| <b>Temp. range min</b>           | -25 °C  |
| <b>Temp. range max</b>           | 45 °C   |
| <b>Terminals/poles</b>           | None  |
| <b>Operational areas</b>         | Engine room, Outdoor, Indoor work space   |
| <b>Colour</b>                    | RAL 7032  |
| <b>Weight</b>                    | 0,26 kg   |
| <b>Variations</b>                | on request  |
| <b>Tariff number</b>             | 85369010  |

Equipment:

6 pcs. WISKA QUIXX M 20, self-sealing membrane spouts for cable Ø 1-13mm

**Spare parts**

|                                      |          |
|--------------------------------------|----------|
| <b>SP-MK 5 Terminal block 5-pole</b> | 22000388 |
|--------------------------------------|----------|

12.05.2026

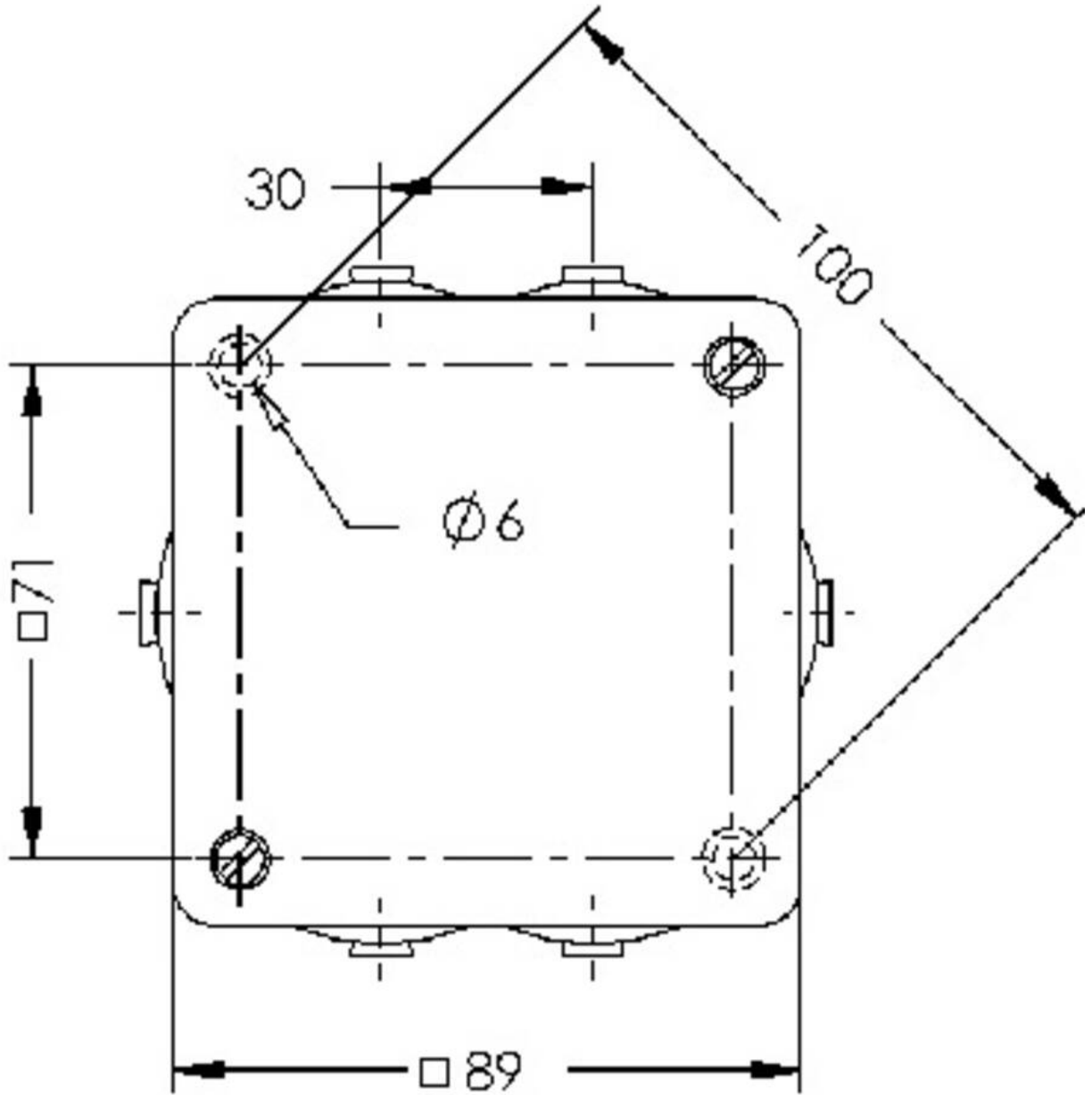
Your Contact:

**WISKA Hoppmann GmbH**

Kisdorfer Weg 28 · 24568 Kaltenkirchen · Germany

☎ +49-4191-508-0 · 📠 +49-4191-508-209

contact@wiska.de · www.wiska.com



Your Contact:

**WISKA Hoppmann GmbH**

Kisdorfer Weg 28 · 24568 Kaltenkirchen · Germany

☎ +49-4191-508-0 · 📠 +49-4191-508-209

contact@wiska.de · www.wiska.com