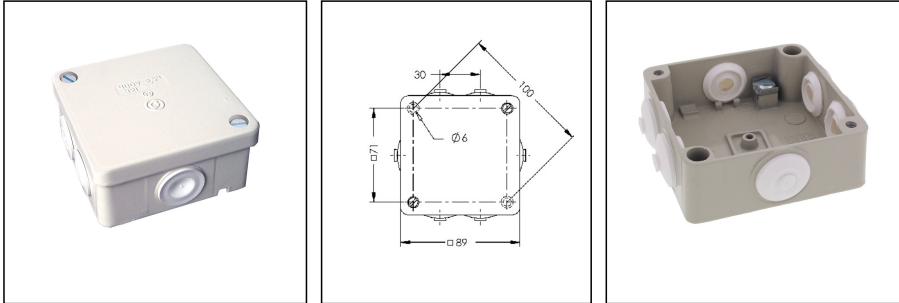



Junction box w. membrane seal 7219472-SE

Junction box 89x89x43mm, aluminium, RAL 7032, with terminal block



Products may differ in size, colour and appearance to those shown. If you require further information or customisation, please contact us directly.



WISKA-Order no.	50045102
Type	Junction box w. membrane seal 7219472-SE
Voltage	400 V
Current	16 A
Protection class	IP44
Material	Cast aluminium
Using for cable gland	
Type of cable gland	QUIXX M20 / 1-13mm
External dimensions LxWxH	89x89x43 mm
Mounting	Surface mounting
Temp. range min	-25 °C
Temp. range max	45 °C
Terminals/poles	5-pole, 2,5mm ²
Operational areas	Outdoor, Indoor work space, Engine room
Colour	RAL 7032
Weight	0,32 kg
Variations	on request
Tariff number	85369010

Equipment:

6 pcs. WISKA QUIXX M 20, self-sealing membrane spouts for cable Ø 1-13mm

Spare parts

SP-MK 5 Terminal block 5-pole	22000388
--------------------------------------	----------

Your Contact:



WISKA Hoppmann GmbH
 Kisdorfer Weg 28 · 24568 Kaltenkirchen · Germany
 ☎ +49-4191-508-0 · 📠 +49-4191-508-209
 contact@wiska.de · www.wiska.com

12.05.2026

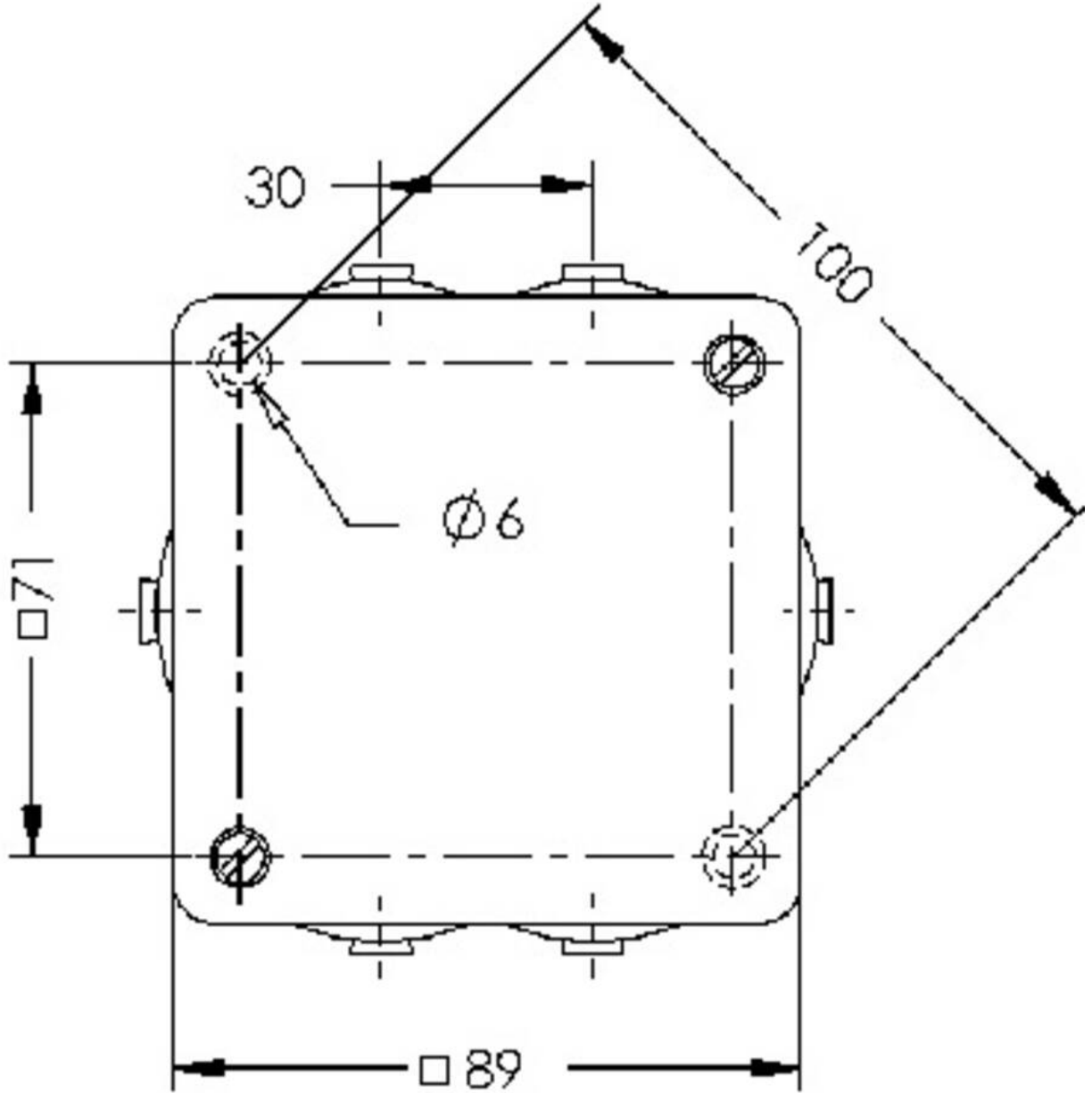
Your Contact:

WISKA Hoppmann GmbH

Kisdorfer Weg 28 · 24568 Kaltenkirchen · Germany

 +49-4191-508-0 ·  +49-4191-508-209

contact@wiska.de · www.wiska.com



Your Contact:

WISKA Hoppmann GmbH

Kisdorfer Weg 28 · 24568 Kaltenkirchen · Germany

☎ +49-4191-508-0 · 📠 +49-4191-508-209

contact@wiska.de · www.wiska.com