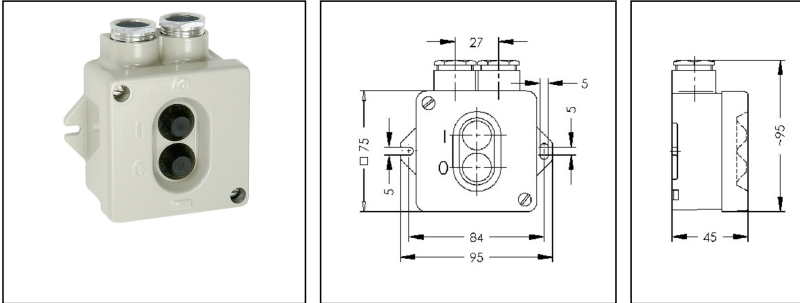


Rocker switch 7228459 - SE

Rocker switch, aluminium, RAL 7032, IP67



Products may differ in size, colour and appearance to those shown. If you require further information or customisation, please contact us directly.



WISKA-Order no.	50045349
Type	Rocker switch 7228459 - SE
Voltage	250 V
Current	16 A
Protection class	IP67
Material	Aluminium
Using for cable gland	
Type of cable gland	PG 16
Mounting	Surface mounting
Temp. range min	-30 °C
Temp. range max	90 °C
Type of switch	On-Off, 2-pole
Colour	RAL 7032
Weight	0,26 kg
Equipment	Aluminium pressure screws PG16
Tariff number	85363010

26.06.2026

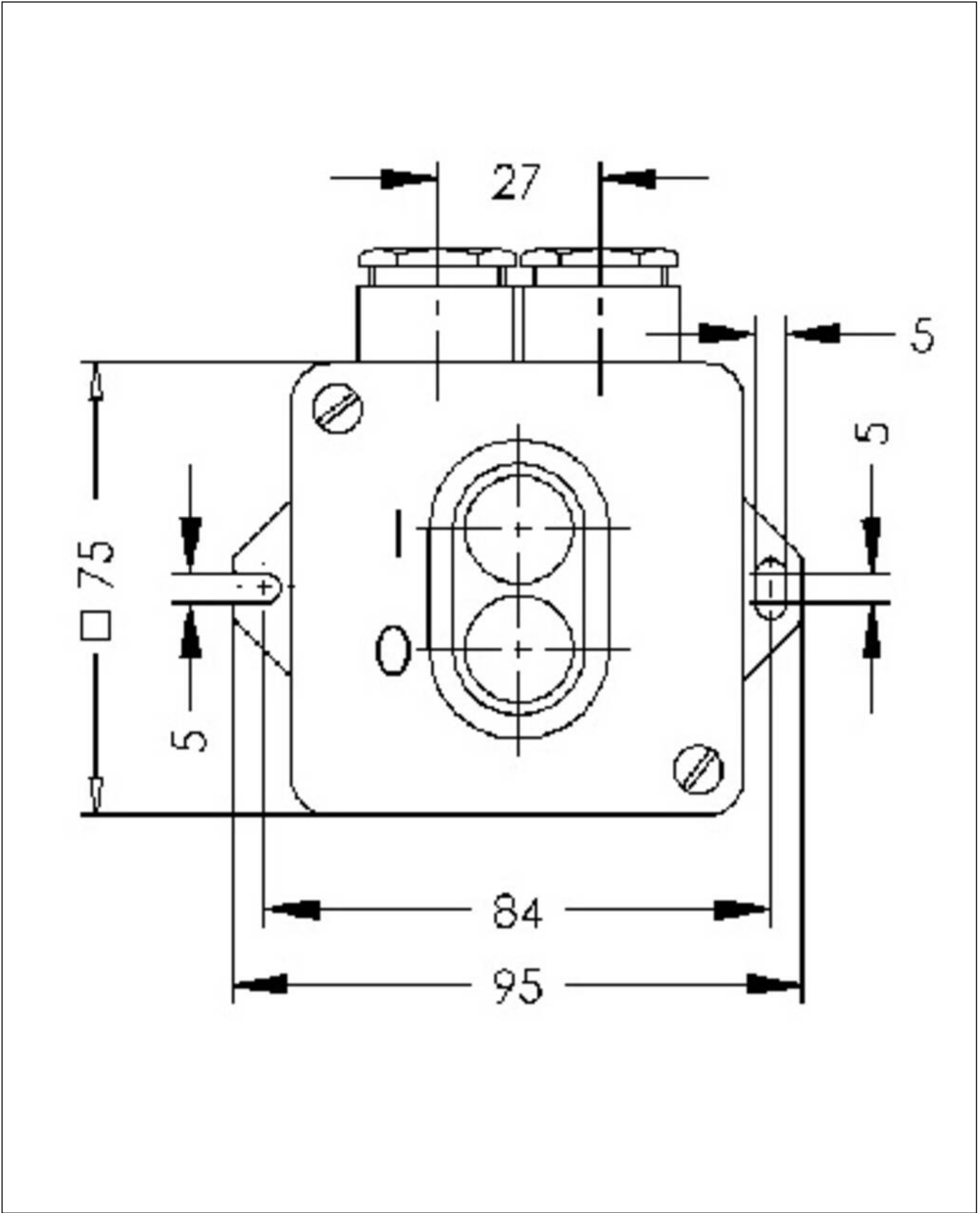
Your Contact:

WISKA Hoppmann GmbH

Kisdorfer Weg 28 · 24568 Kaltenkirchen · Germany

☎ +49-4191-508-0 · 📠 +49-4191-508-209

contact@wiska.de · www.wiska.com



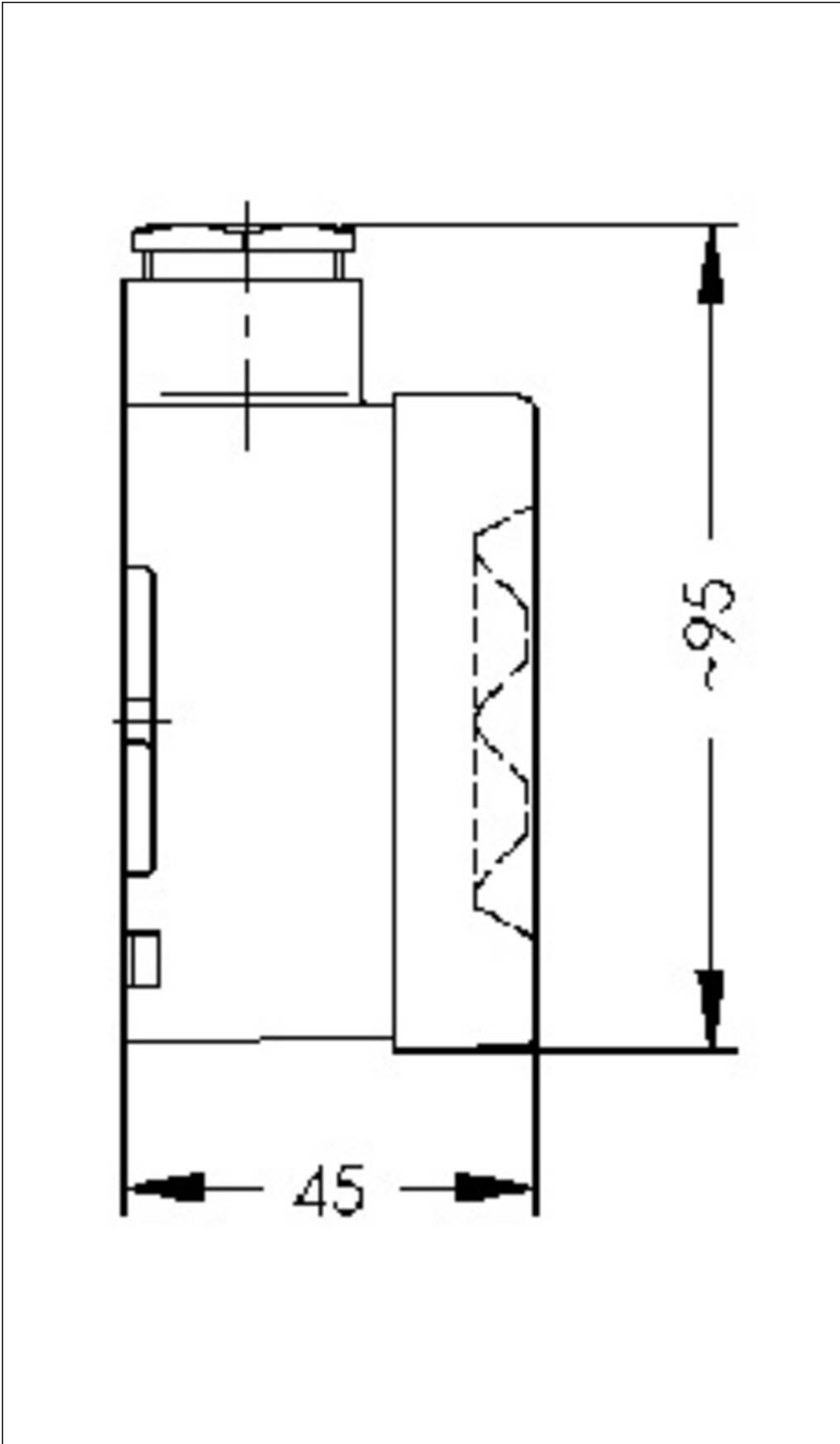
Your Contact:

WISKA Hoppmann GmbH

Kisdorfer Weg 28 · 24568 Kaltenkirchen · Germany

☎ +49-4191-508-0 · 📠 +49-4191-508-209

contact@wiska.de · www.wiska.com



Your Contact:

WISKA Hoppmann GmbH

Kisdorfer Weg 28 · 24568 Kaltenkirchen · Germany

☎ +49-4191-508-0 · 📠 +49-4191-508-209

contact@wiska.de · www.wiska.com