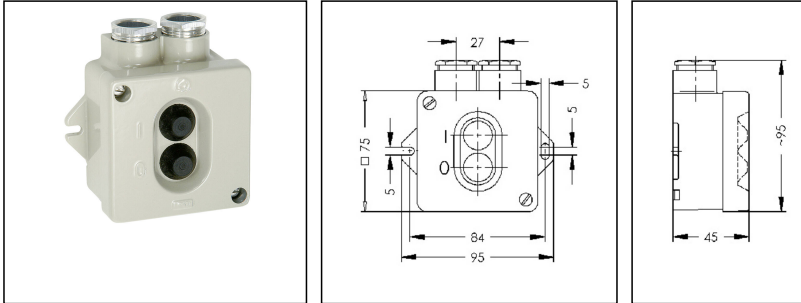


## Rocker switch 7228469 - SE

Rocker switch, aluminium, RAL 7032, IP67



Products may differ in size, colour and appearance to those shown. If you require further information or customisation, please contact us directly.



<b>WISKA-Order no.</b>	50045359
<b>Type</b>	Rocker switch 7228469 - SE
<b>Voltage</b>	250 V
<b>Current</b>	16 A
<b>Protection class</b>	IP67
<b>Material</b>	Aluminium
<b>Using for cable gland</b>	
<b>Type of cable gland</b>	PG 16
<b>Mounting</b>	Surface mounting
<b>Temp. range min</b>	-30 °C
<b>Temp. range max</b>	90 °C
<b>Type of switch</b>	Change-over, 1-pole
<b>Colour</b>	RAL 7032
<b>Weight</b>	0,26 kg
<b>Equipment</b>	Aluminium pressure screws PG16
<b>Tariff number</b>	85363010

26.06.2026

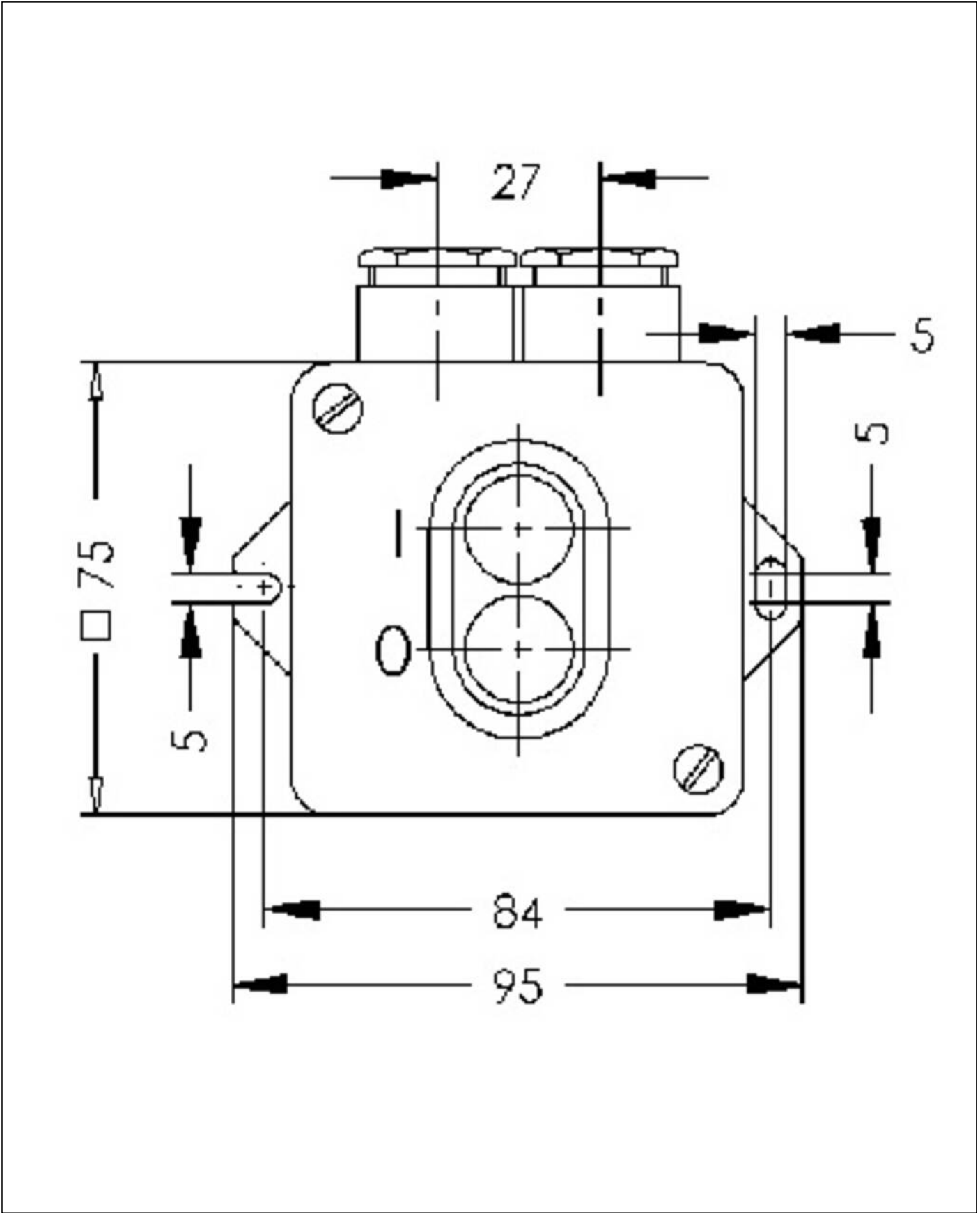
Your Contact:

**WISKA Hoppmann GmbH**

Kisdorfer Weg 28 · 24568 Kaltenkirchen · Germany

☎ +49-4191-508-0 · 📠 +49-4191-508-209

contact@wiska.de · www.wiska.com



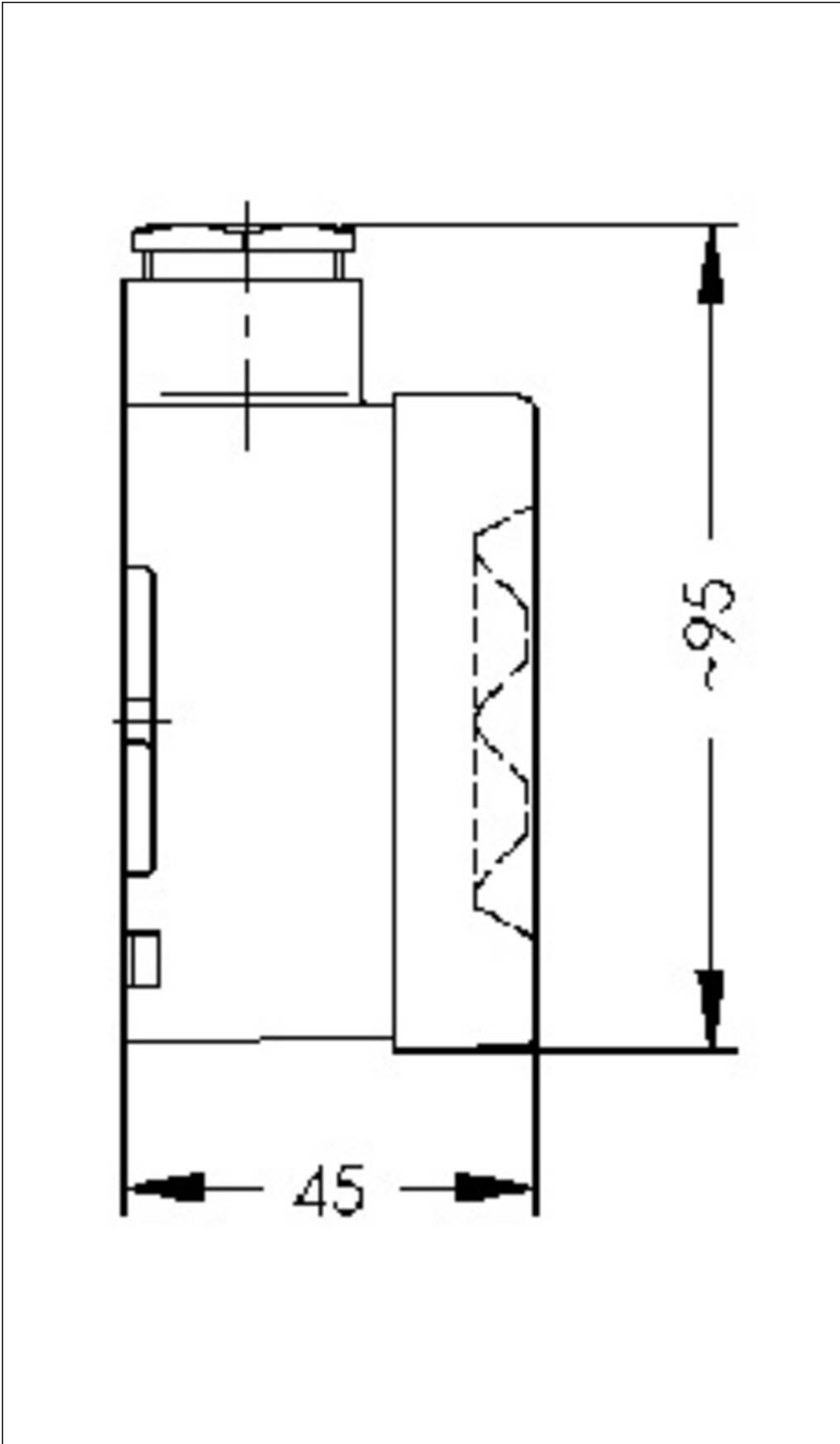
Your Contact:

**WISKA Hoppmann GmbH**

Kisdorfer Weg 28 · 24568 Kaltenkirchen · Germany

☎ +49-4191-508-0 · 📠 +49-4191-508-209

contact@wiska.de · www.wiska.com



Your Contact:

**WISKA Hoppmann GmbH**

Kisdorfer Weg 28 · 24568 Kaltenkirchen · Germany

☎ +49-4191-508-0 · 📠 +49-4191-508-209

contact@wiska.de · www.wiska.com