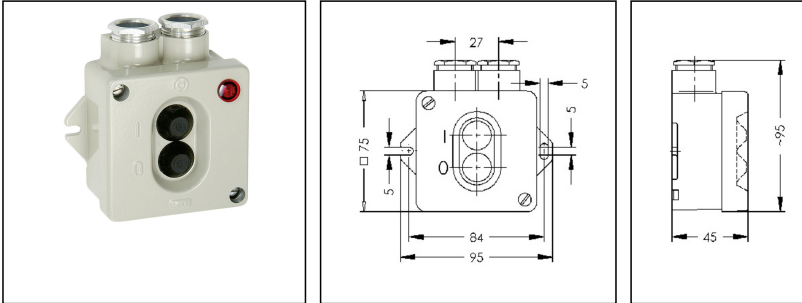



Rocker switches 7228482 - SE

Rocker switch with signal light, aluminium, RAL 7032, IP67



Products may differ in size, colour and appearance to those shown. If you require further information or customisation, please contact us directly.



| | |
|------------------------------|---|
| WISKA-Order no. | 50045372 |
| Type | Rocker switches 7228482 - SE |
| Voltage | 250 V |
| Current | 16 A |
| Protection class | IP67 |
| Material | Aluminium |
| Using for cable gland |  |
| Type of cable gland | PG 16 |
| Mounting | Surface mounting |
| Temp. range min | -30 °C |
| Temp. range max | 90 °C |
| Type of switch | Change-over, 1-pole |
| Globe colour | Red |
| Colour | RAL 7032 |
| Weight | 0,3 kg |
| Equipment | Aluminium pressure screws PG16 |
| Tariff number | 85363010 |

07.07.2026

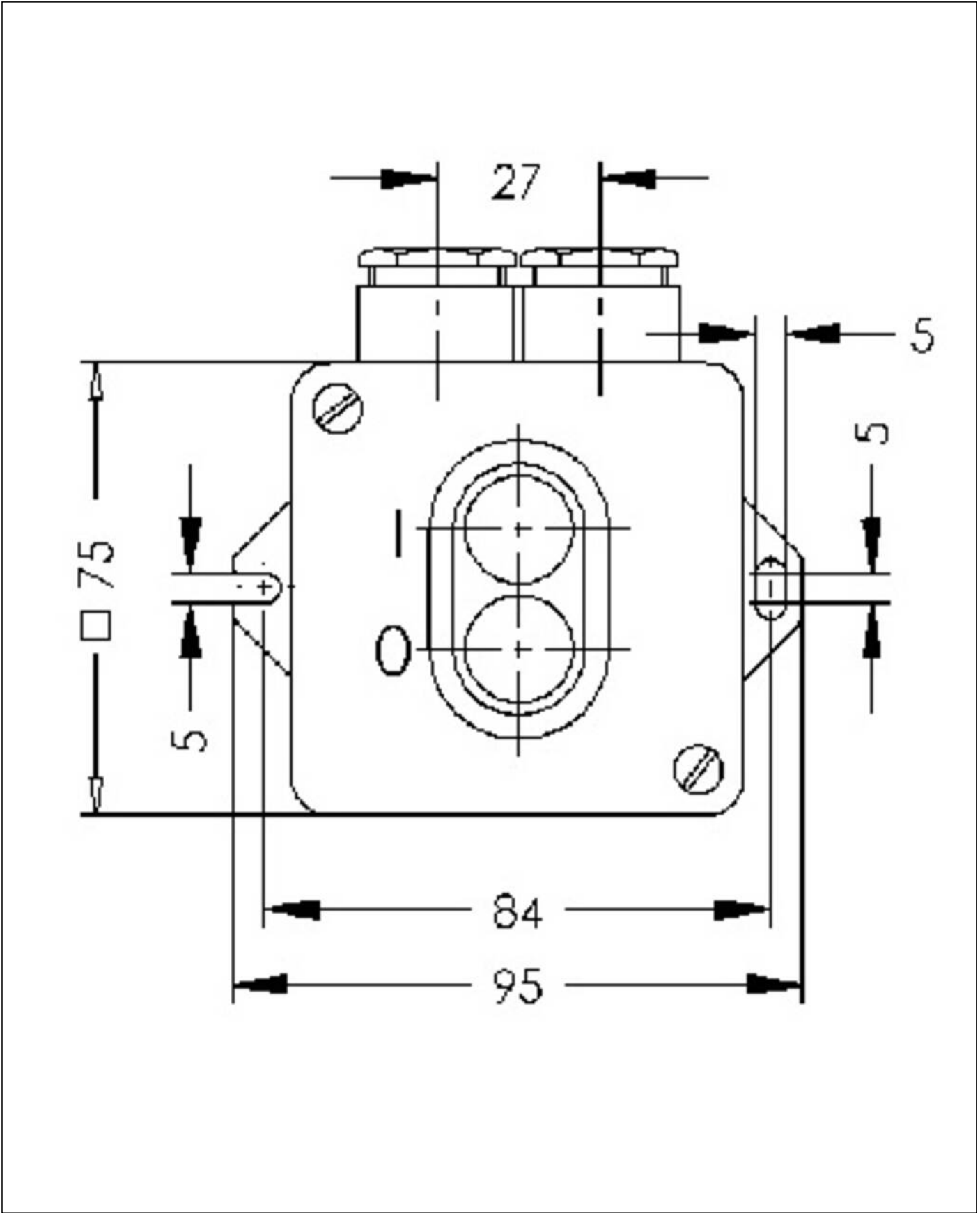
Your Contact:

WISKA Hoppmann GmbH

Kisdorfer Weg 28 · 24568 Kaltenkirchen · Germany

☎ +49-4191-508-0 · 📠 +49-4191-508-209

contact@wiska.de · www.wiska.com



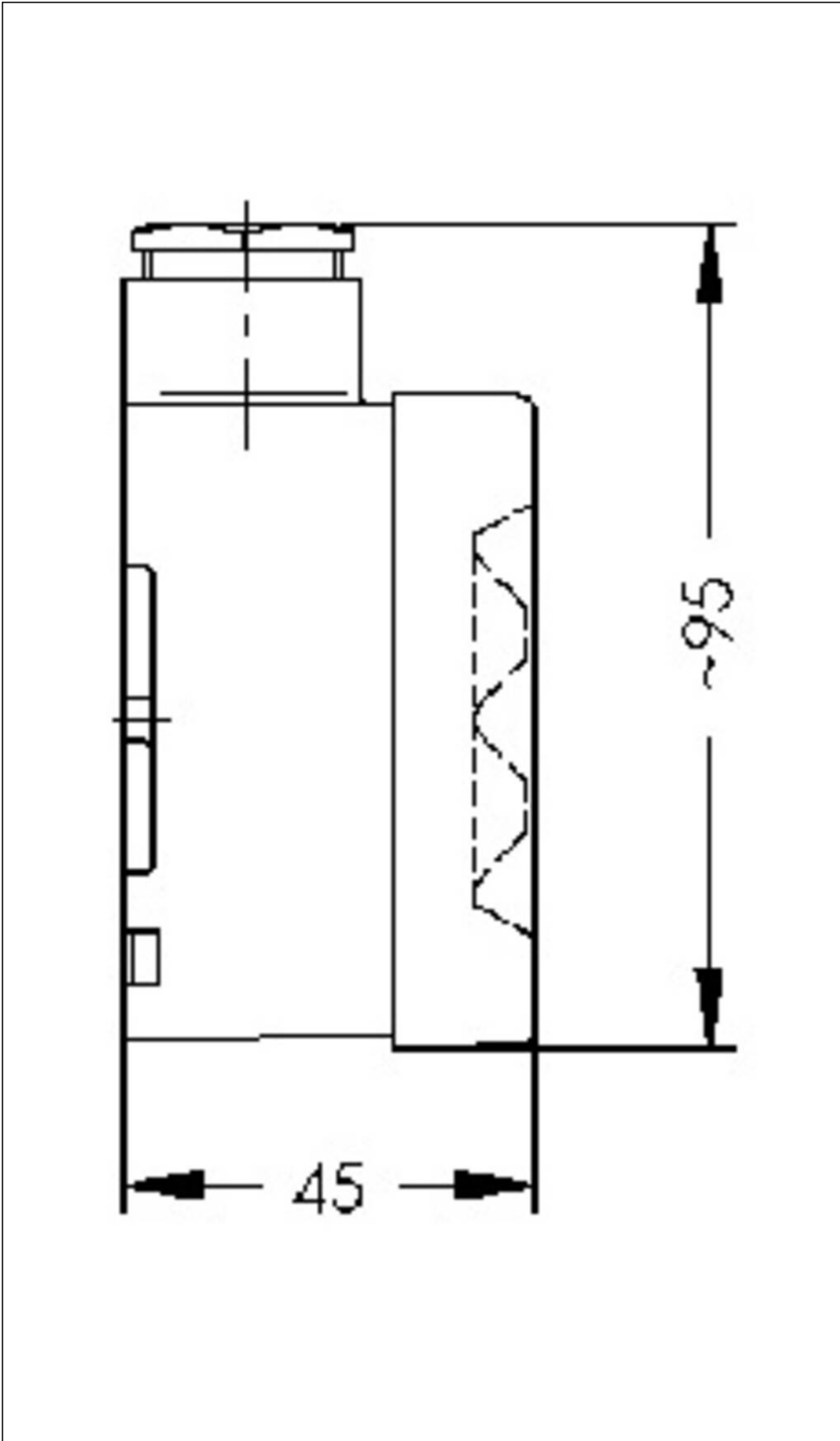
Your Contact:

WISKA Hoppmann GmbH

Kisdorfer Weg 28 · 24568 Kaltenkirchen · Germany

☎ +49-4191-508-0 · 📠 +49-4191-508-209

contact@wiska.de · www.wiska.com



Your Contact:

WISKA Hoppmann GmbH

Kisdorfer Weg 28 · 24568 Kaltenkirchen · Germany

☎ +49-4191-508-0 · 📠 +49-4191-508-209

contact@wiska.de · www.wiska.com